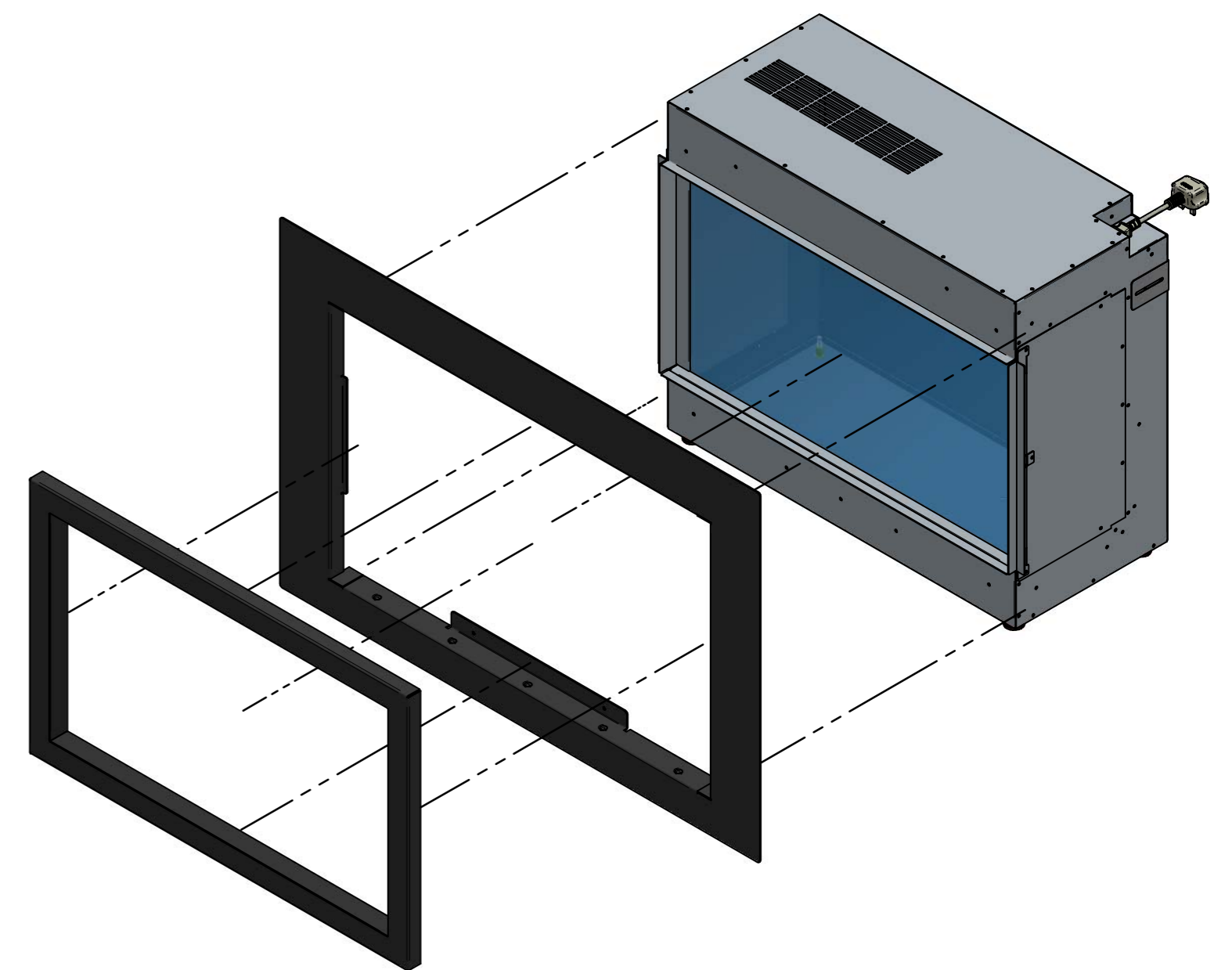
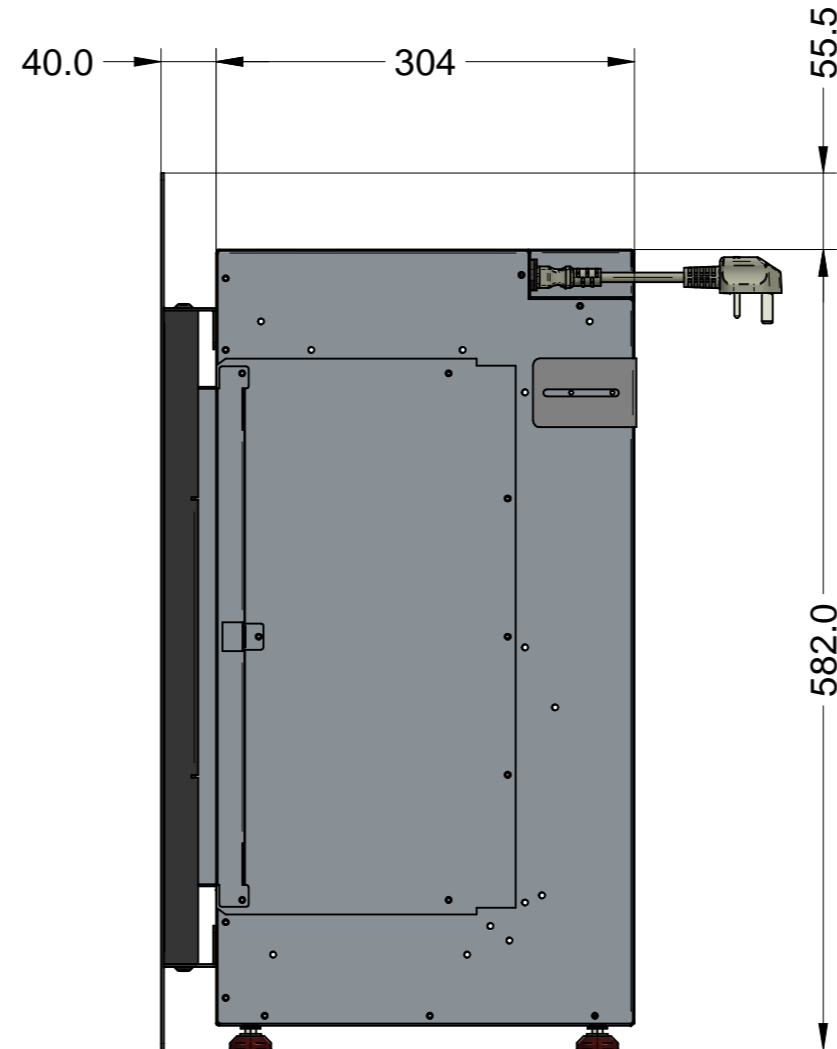
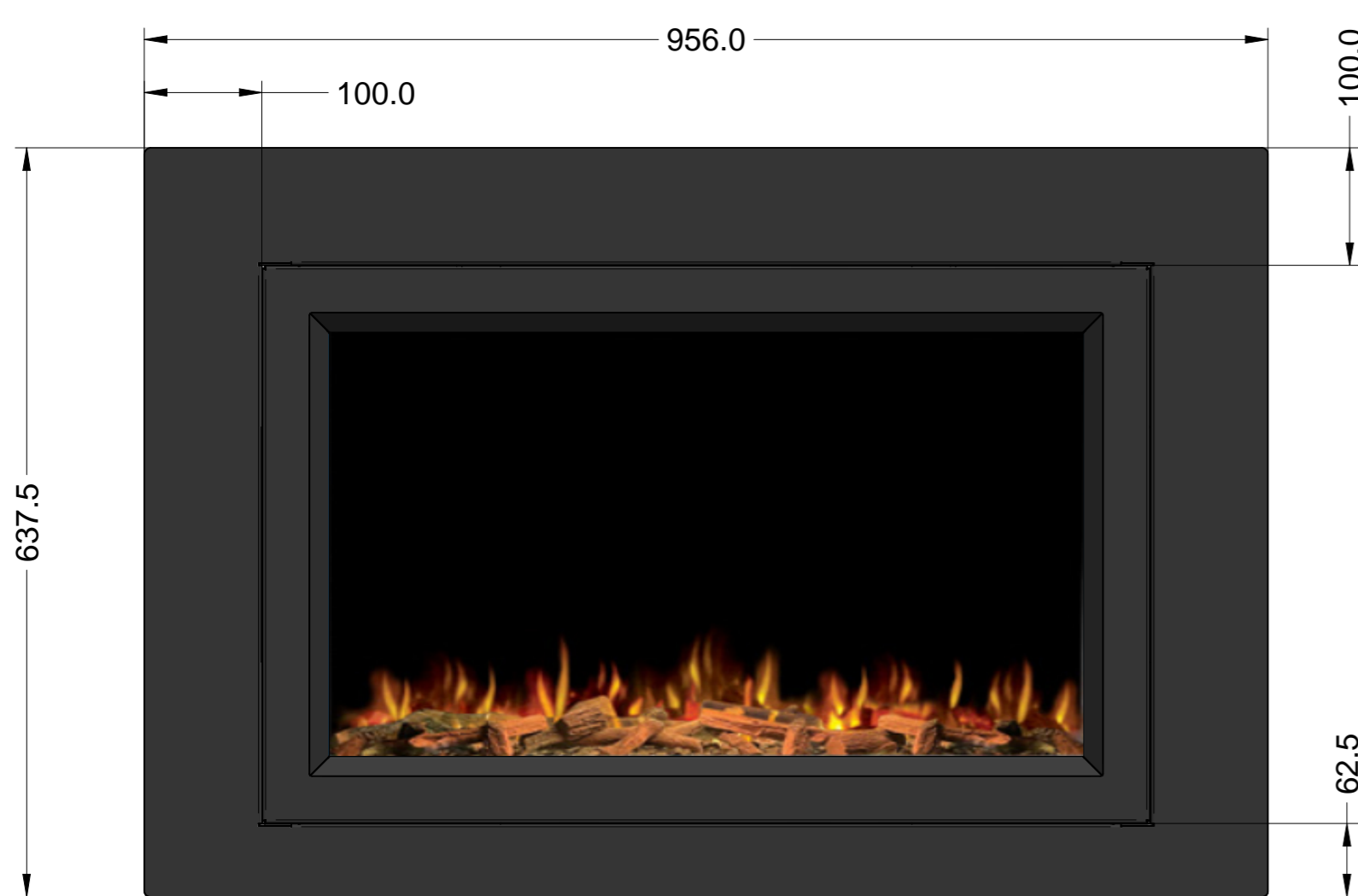
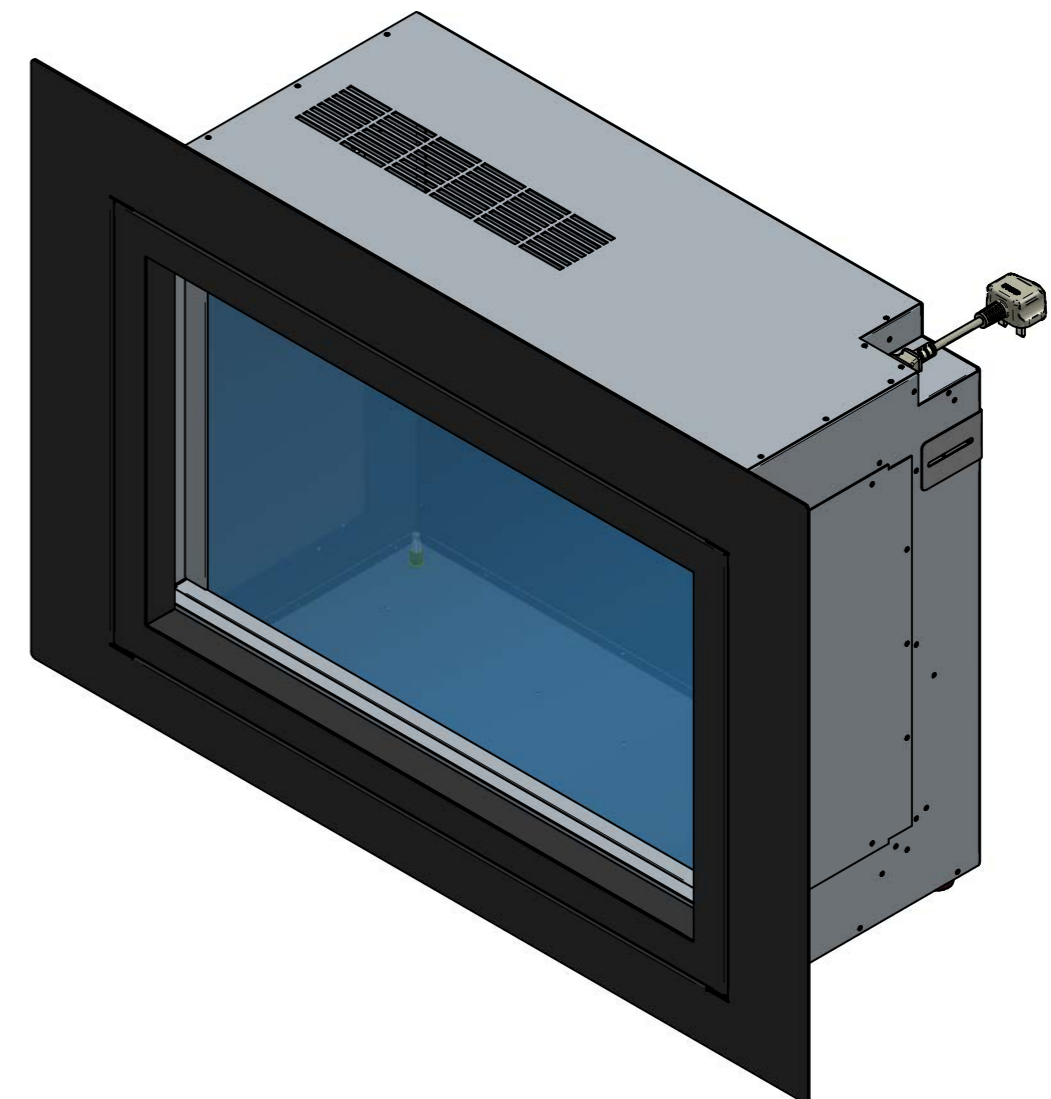
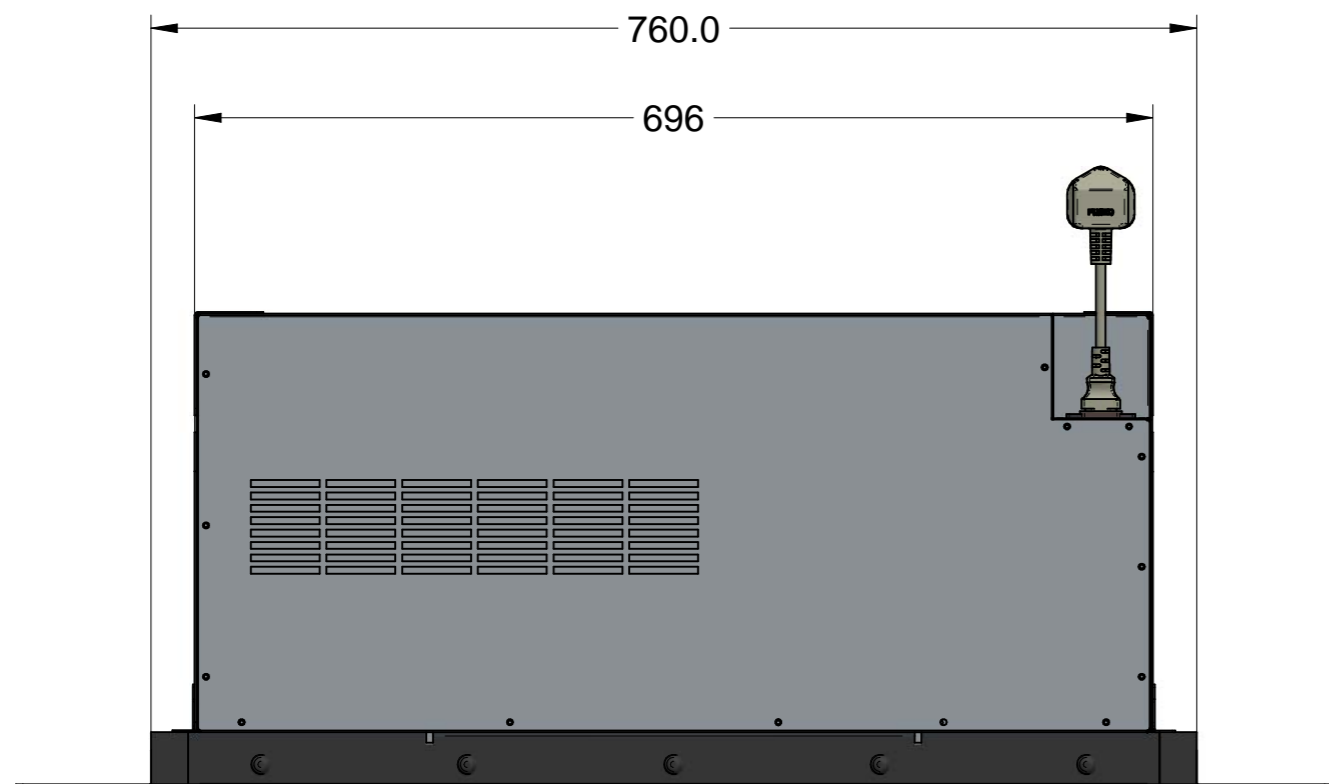


DO NOT SCALE				
THIRD ANGLE PROJECTION				
REVISION				
REV	DESCRIPTION	DATE	DRAWN	APPROVED
A	AS DRWN	06/04/2021	EV	PB

UNLESS OTHERWISE STATED, DEBURR ALL SHARP EDGES



UNLESS OTHERWISE SPECIFIED: DIMENSIONS ARE IN MILLIMETERS SURFACE FINISH: TOLERANCES: LINER: ± 0.2 mm ANGULAR ± 0.2 mm	DEBURR AND BREAK SHARP EDGES	MATERIAL: REFER CORRESPONDING DRWG	PAUL AGNEW   DESIGNS	TITLE: 950-LT FRAME ASSY	DWG NO:	950-LT F	REVISION
		WEIGHT: 0.0 kg			FINISH: natural		SCALE:
DO NOT SCALE DRAWING					DRAWN	DATE 2/08/2022	SHEET 1 OF 1
							A3