
USER MANUAL



• VELLUM •

Wall Mounted Model

Tested &
Listed By



Portland
Oregon USA

OMNI-Test Laboratories, Inc.

REPORT #471-D-01-2

UL 1370 & ULC/ORD C627.1-2008

www.cocoonfires.com

IMPORTANT SAFEGUARDS

When using a fireplace, basic precautions should always be followed, including the following:

Read all instructions before using this fireplace.

WARNING

- DO NOT OVERFUEL BURNER'S INTENDED CAPACITY.
- USE ONLY THE FUEL FOR WHICH THE APPARATUS IS INTENDED.
- DO NOT TOUCH EXTERIOR OF CHIMINEA DURING AND AFTER BURNING.
- PARTS OF THIS CHIMINEA CAN REACH HIGH TEMPERATURES.
- DO NOT HAVE COMBUSTIBLE OBJECTS IN THE VICINITY OF THE CHIMINEA.
- USE THE CHIMINEA IN AREAS WITH GOOD VENTILATION.
- DO NOT COVER.
- THIS APPLIANCE HAS NOT BEEN TESTED WITH AN UNVENTED GAS LOG SET. TO REDUCE RISK OF FIRE OR INJURY, DO NOT INSTALL AN UNVENTED GAS LOG SET INTO THIS APPLIANCE.

KEEP HANDY A CLASS B FIRE EXTINGUISHER:

Class B fire extinguishers are used to put out fires that are fueled by combustible liquids. Class B extinguishers quell the flames by expelling a dry chemical powder or foam with a nitrogen propellant. The specific chemical can vary depending on the maker or model.

USE CORRECT FUEL - COMMERCIAL NAMES:

Australia, India, New Zealand, South Africa: Methylated Spirits, **France:** Bio-Ethanol, **Germany:** Spiritus - Brennsprit - Methyl Alkohol, **Holland:** Spiritus - Brand Spiritus, **Italy:** Alcool Denaturo - Spirito de Brucaire, **Japan:** Nen-ryo yoh, **Scandinavia:** T-Sprit - Rod Sprit - denaturoitu sprii - Sinol - Marinol, **Spain:** Alcohol Metilico - Alcohol de Quemar, **Switzerland:** Brennsprit, **Turkey:** Ispirto, **UK:** Meths, **USA & Canada:** Denatured Alcohol, Bio-Ethanol

SAVE THESE INSTRUCTIONS

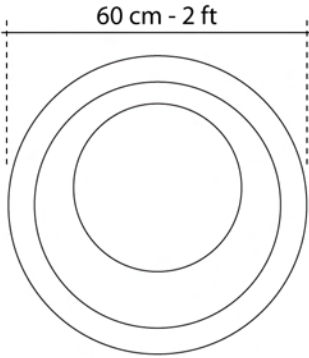
UL 1370

"Outline of Investigation for Unvented Alcohol Fuel Burning Decorative Appliances" 2008

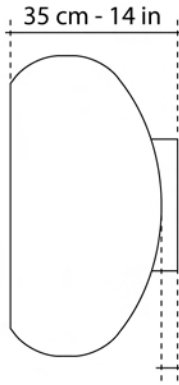
ULC/ORD-C627.1-2008

"Unvented Ethyl Alcohol Fuel Burning Decorative Appliances"

PARTS AND DIMENSIONS



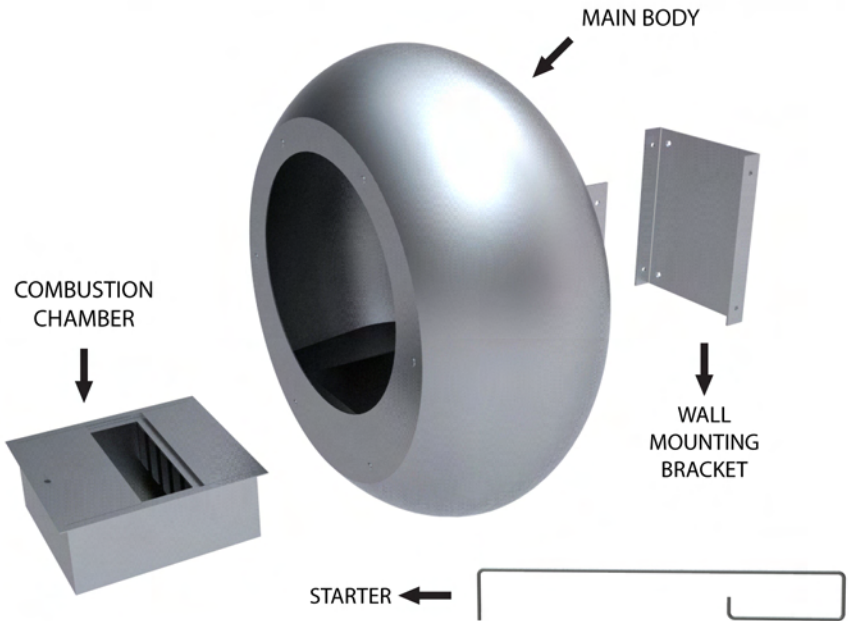
Main Body Dimensions



3.8 cm - 1.5 in



Cocoon Fires Patent Pending

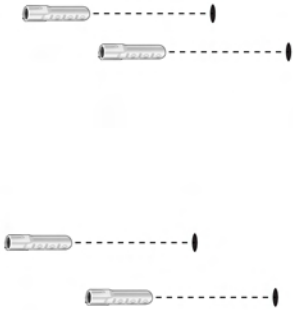


Also included:

4 nuts and bolts are supplied to secure main body with wall mounting bracket.

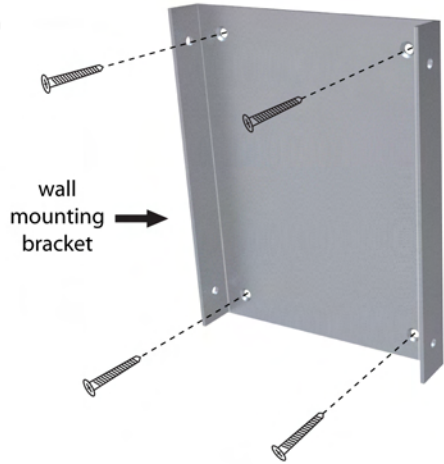
VERTICAL MODEL INSTALLATION

1



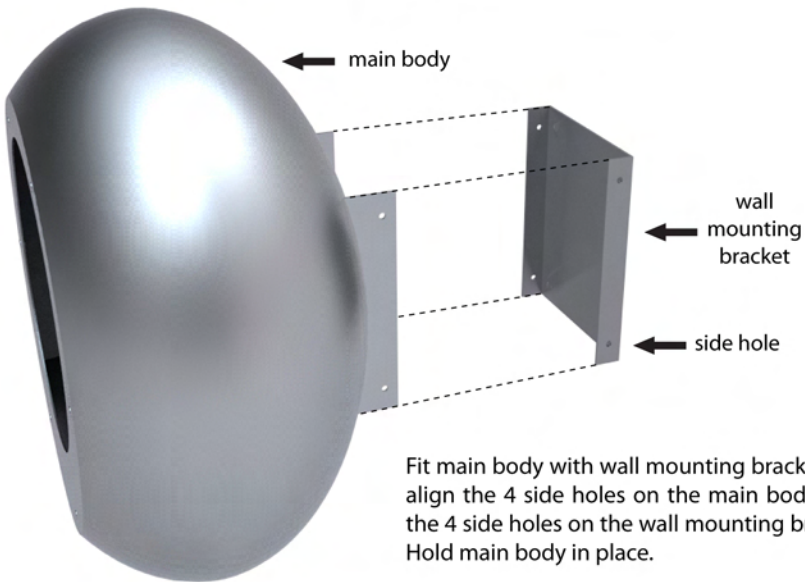
Mark and drill four holes for the wall mounting bracket in the wall and insert the corresponding dowels into the holes. (Dowels are not provided)

2



Fix the wall mounting bracket on the wall with screws. (Screws are not provided)

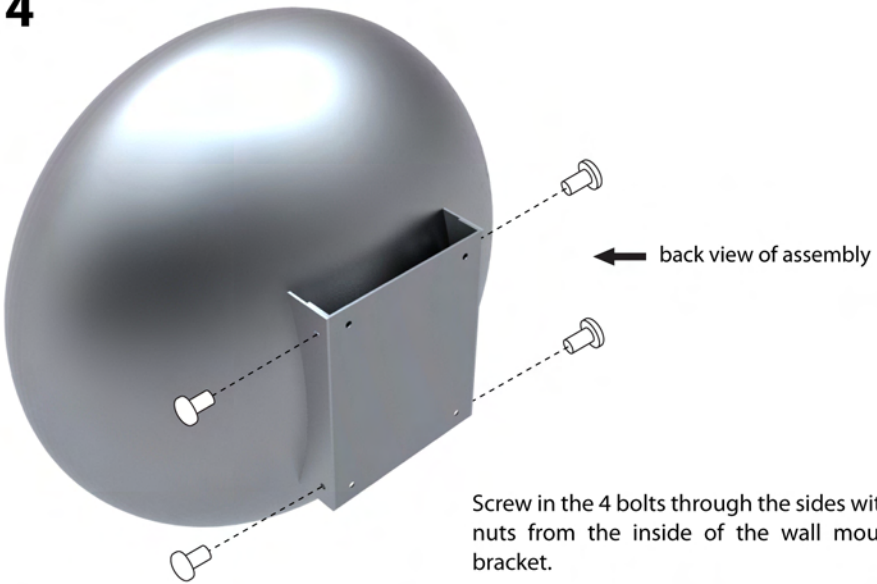
3



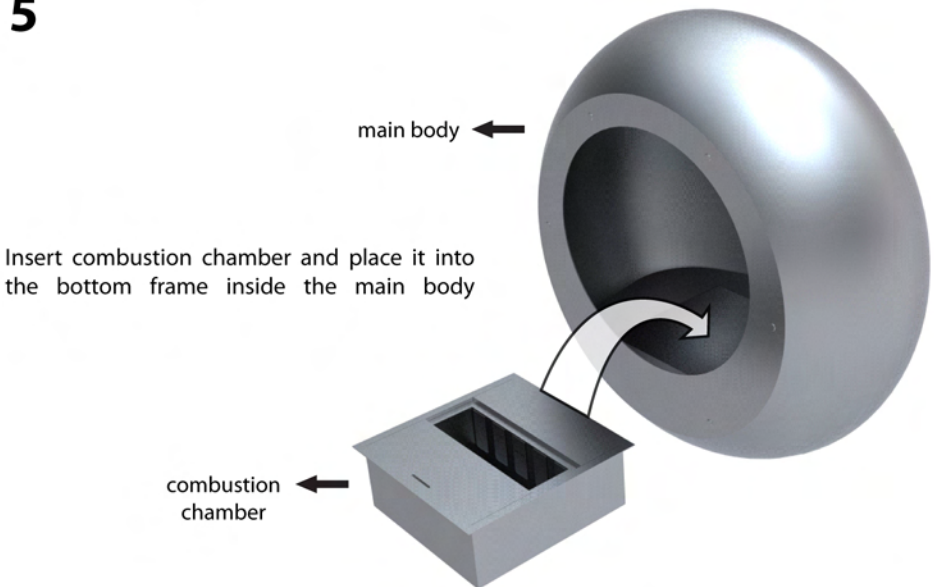
Fit main body with wall mounting bracket and align the 4 side holes on the main body with the 4 side holes on the wall mounting bracket. Hold main body in place.

VERTICAL MODEL INSTALLATION

4



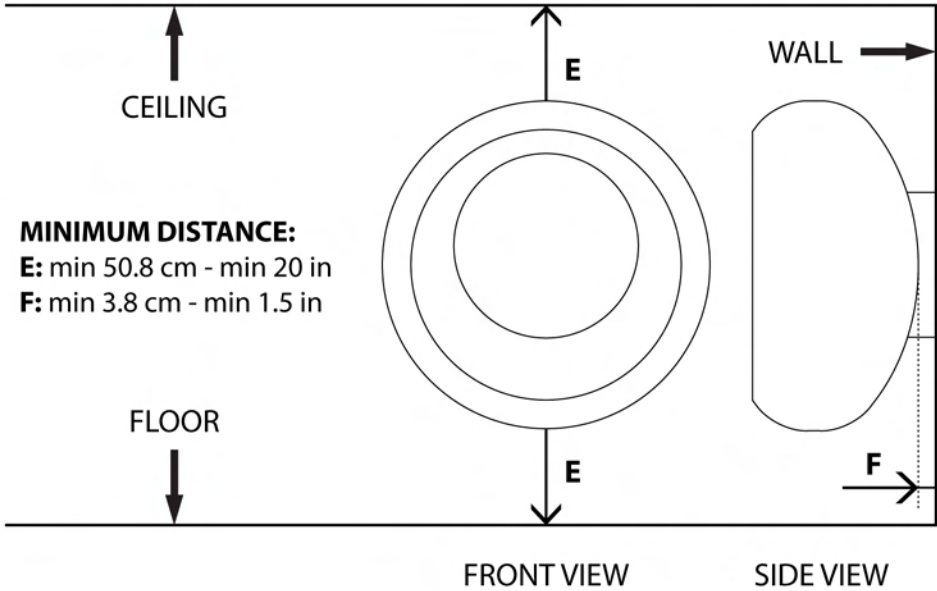
5



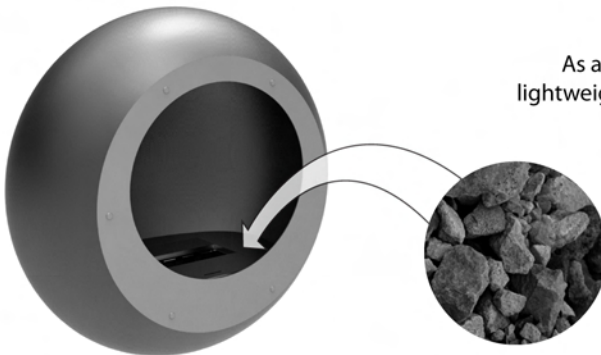
SAFETY CLEARANCE

WARNING

- Aim opening away from flammable objects or surfaces.
- Wall should be able to hold weight of chimenea of 19 Kg. - 42 Lb.



DECORATIVE OPTION



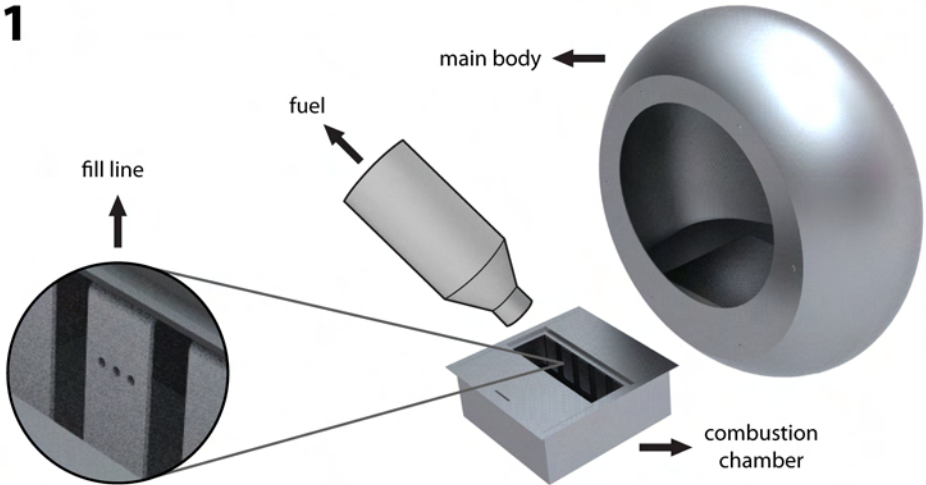
As a decorative option you can insert lightweight porous volcanic rocks around the combustion chamber.

WARNING

Load on wall increases proportionately.

TO START THE FIREPLACE

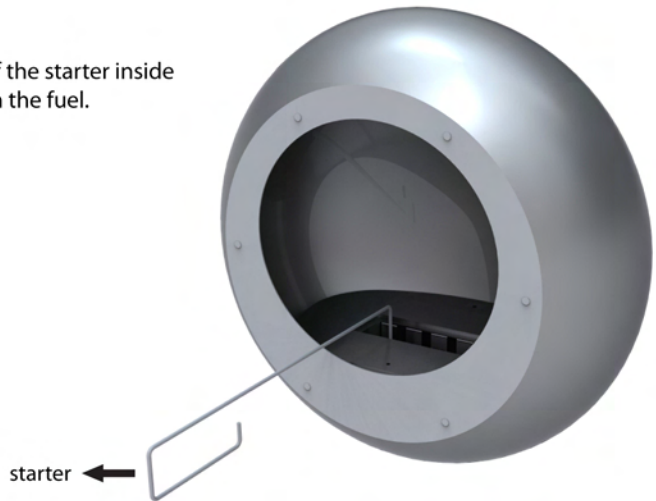
1



To fill remove combustion chamber from main body and pour fuel inside. Fill up to fill line of 1.5 liters. After filling is done return the combustion chamber inside the main body.

2

Introduce and dip the tip of the starter inside the combustion chamber in the fuel.



TO START THE FIREPLACE

3

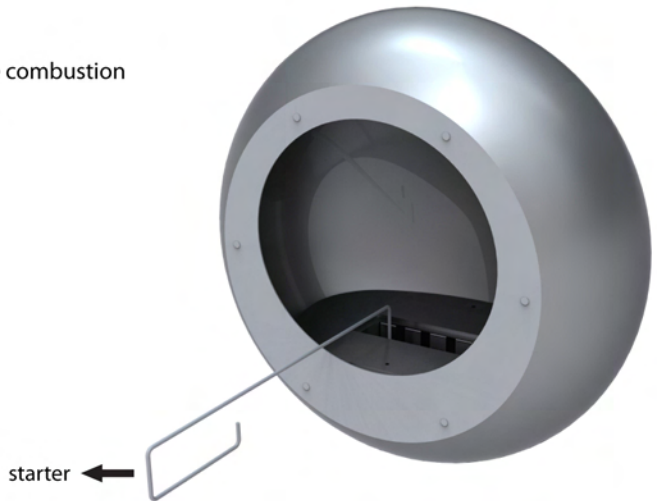


4



2

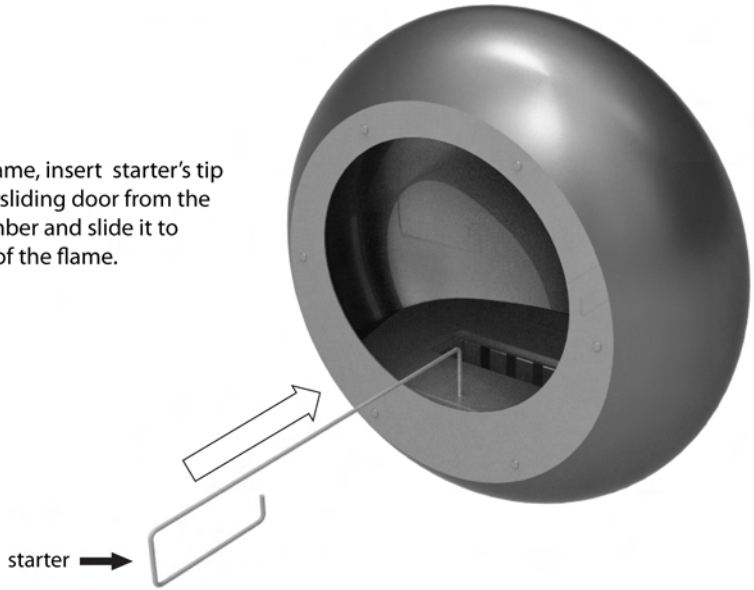
Introduce lit starter into the combustion chamber and light up fuel.



TO REGULATE AND EXTINGUISH THE FLAME

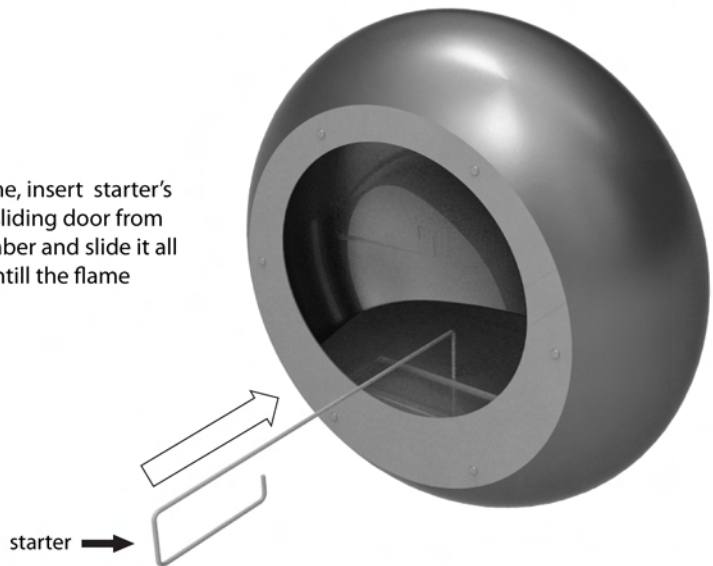
1

To regulate the flame, insert starter's tip in the hole of the sliding door from the combustion chamber and slide it to regulate the size of the flame.



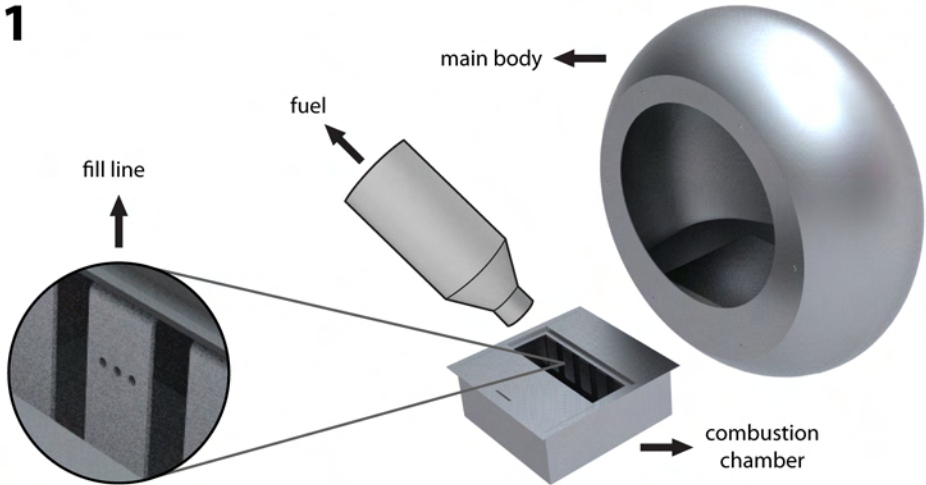
2

To extinguish the flame, insert starter's tip in the hole of the sliding door from the combustion chamber and slide it all the way till the end until the flame extinguishes.



TO REFILL THE FIREPLACE

1



CAUTION

To refill wait at least 10 minutes for the burner to cool down after the flame has turned off. To fill remove combustion chamber from main body and pour fuel inside. Fill up to fill line of 1.5 liters. After filling is done return the combustion chamber inside the main body.

WARNING

In a house of typical construction, that is, one that is not of unusually tight construction due to heavy insulation and tight seals against air infiltration, an adequate supply of air for combustion and ventilation is provided through infiltration. However, if the unvented decorative appliance is used in a small room where less than 200 cubic feet (5.7 m³) of air space is provided for each 1000 Btu per hour of unvented decorative appliance rating (considering the maximum burner adjustment), the door(s) to adjacent room(s) should be kept open or a window to the outside should be opened at least 1 in (25.4 mm) to guard against potential buildup of indoor air pollution. Do not use the unvented decorative appliance in a bathroom, a room where sleeping accommodation is provided or any other small room.

MAINTENANCE & PERIODIC SERVICE

1. Cleaning of unvented decorative appliance combustion surfaces,
2. Checking operation of external manual shutoff device.

Make sure the fireplace has cooled completely before cleaning.

To clean dust wipe with a dry cloth or sponge.

To clean stainless steel parts use alcohol or stainless steel cleaning products.

Make sure the sliding door from the combustion chamber slides correctly and fully.

WARNING

1. Risk of Explosion :

- i) Never use any fuel other than the fuels specifically identified for use in the unvented decorative appliance. Never use gasoline.
 - ii) Never refill unvented decorative appliance fuel reservoir when unvented decorative appliance is operating or still hot.
 - iii) Never use unvented decorative appliance where flammable vapors or gas may be present.
 - iv) Never store or transport the fuel in other than a metal or plastic container that is:
 - A) Acceptable for use with the specific fuel,
 - B) Non red in color,
 - C) Is in the original container for the (specific alcohol) Fuel.
- 2) Never store fuel in the living space/same location as the appliance.
 - 3) Due to high surface temperatures, keep children, clothing, and furniture away.
 - 4) Risk of Indoor Air Pollution – Use unvented decorative appliance only in well-ventilated areas and with doors of adjacent room open. **Do not obstruct air flow to the fuel holder box by piling logs over the fuel holding box, but only around it and do not obstruct the fuel holder box in any other way or with any other material.** People with breathing problems should consult a physician before using the unvented decorative appliance.
 - 5) Do not use unvented decorative appliance to heat or boil water or use as a cooking appliance.
 - 6) **Do not use in a room with Oxygen tanks in use.**



COCOON FIRES

240 Lake Street

Northbridge

Western Australia 6003

info@cocoonfires.com

www.cocoonfires.com