

# STÛV 6 FREESTANDING

---

## SPECIFICATIONS & MANUFACTURER INSTALLATION GUIDE

**stûv**

LE FEU ESSENTIEL

Congratulations on your purchase of the Stuv 6 Freestanding. This appliance should be installed and checked by a qualified professional. Ensure you have read the operation guidelines thoroughly prior to first use. For any questions or concerns please contact Oblica on 03 9416 0400.

The installation process is outlined below:

- Determine position of firebox and flue carefully observing the clearances described within this section
- Install the external flue
- Install the internal flue and engage the firebox
- Ensure the floor has adequate protection

### **CAUTION:**

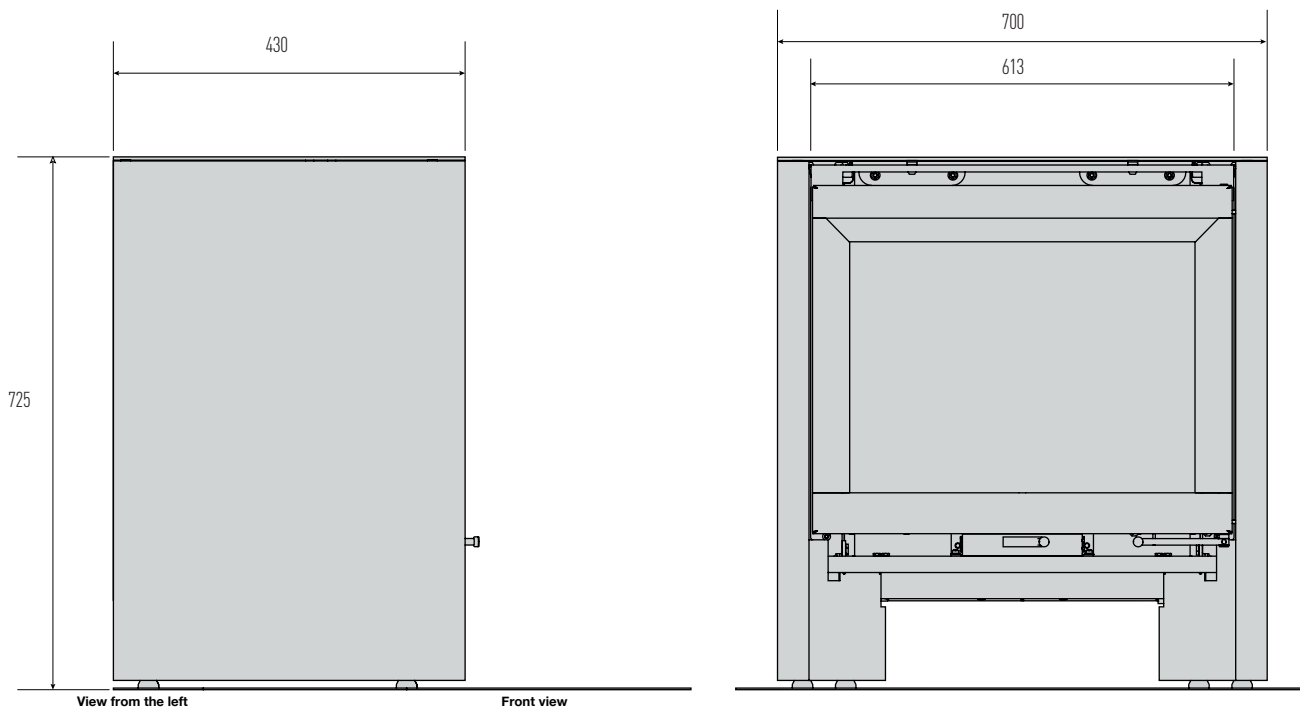
Using components or parts other than those provided by the manufacturer or modifying the specification of components may result in inferior or unsafe operation. If such action is necessary, consult the manufacturer in the first instance.

### **WARNING:**

- The appliance and flue-system must be installed in accordance with AS/NZS 2918 and the relevant building code or codes.
- Any modification of the appliance that has not been approved in writing by the testing authority will be in breach of the approval granted for compliance with AS/NZS 4013.
- Once the flue has been installed and approved by a professional installer, the flue must not be modified in any way.

# 1. DIMENSIONS & TECHNICAL DATA

## STUV 6 FREESTANDING - DIMENSIONS OF THE APPLIANCE AND THE FLOOR PLATE (OPTIONAL)



### WEIGHT AND DIMENSIONS:

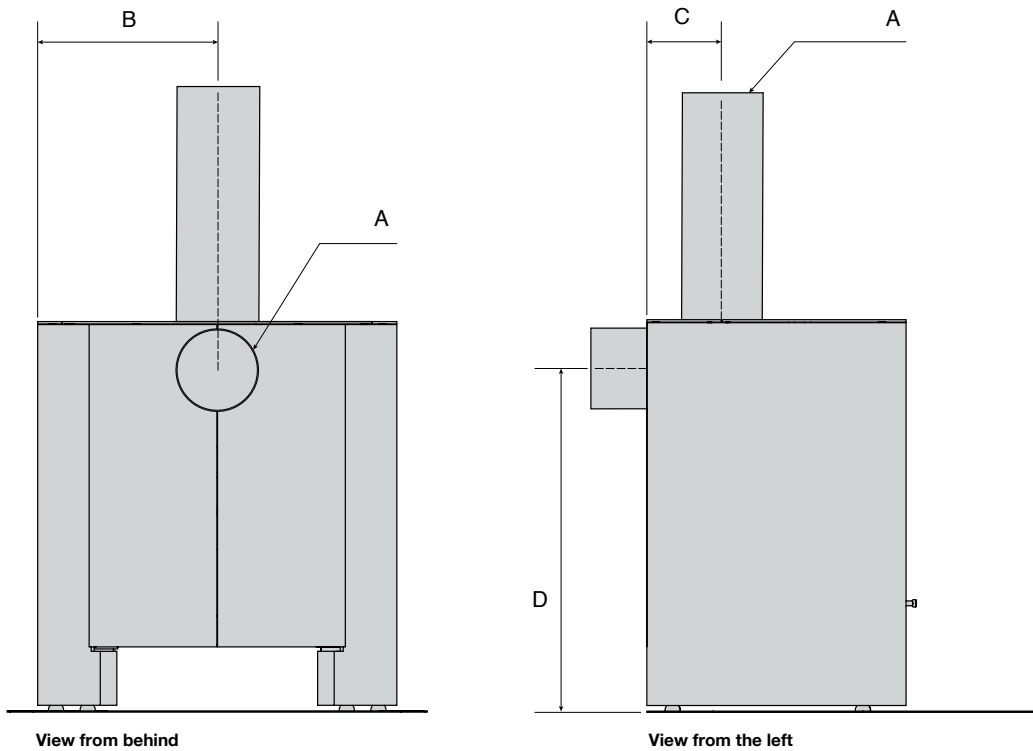
Firebox external dimensions	W700 x H725 x D430mm
Firebox weight	95Kg
Flue system	Standard 6" / 8" / 10"

### DETERMINED UNDER TEST CONDITIONS:

Nominal thermal output	6kW
Efficiency (Australian Test)	62%
Emissions (Australian Test)	0.6 g/Kg

# 1. DIMENSIONS & TECHNICAL DATA

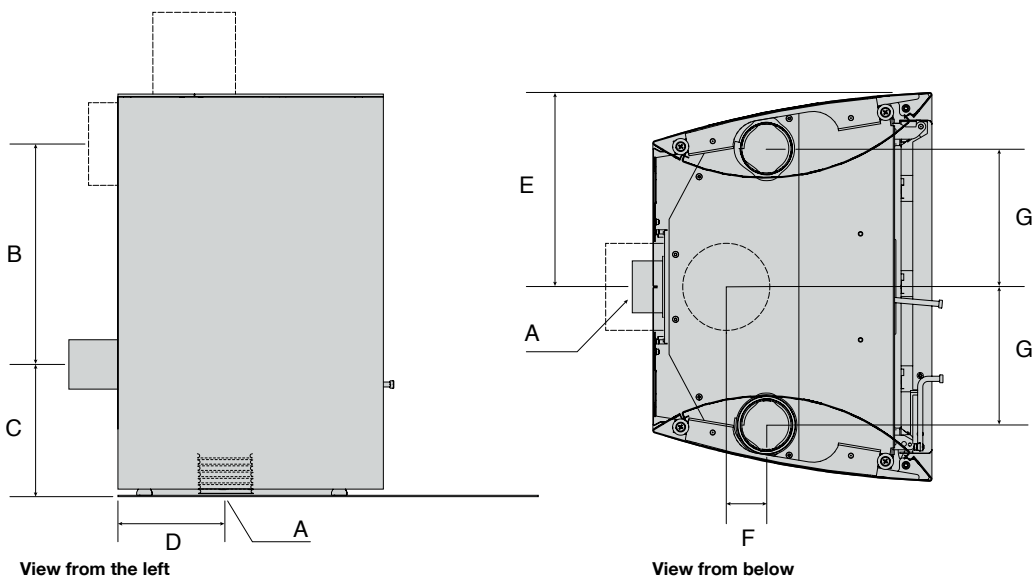
## DIMENSIONS AND POSITIONS OF THE SMOKE OUTLETS



	A	B	C	D
Stuv 6 Freestanding	130mm	350mm	124mm	637mm*

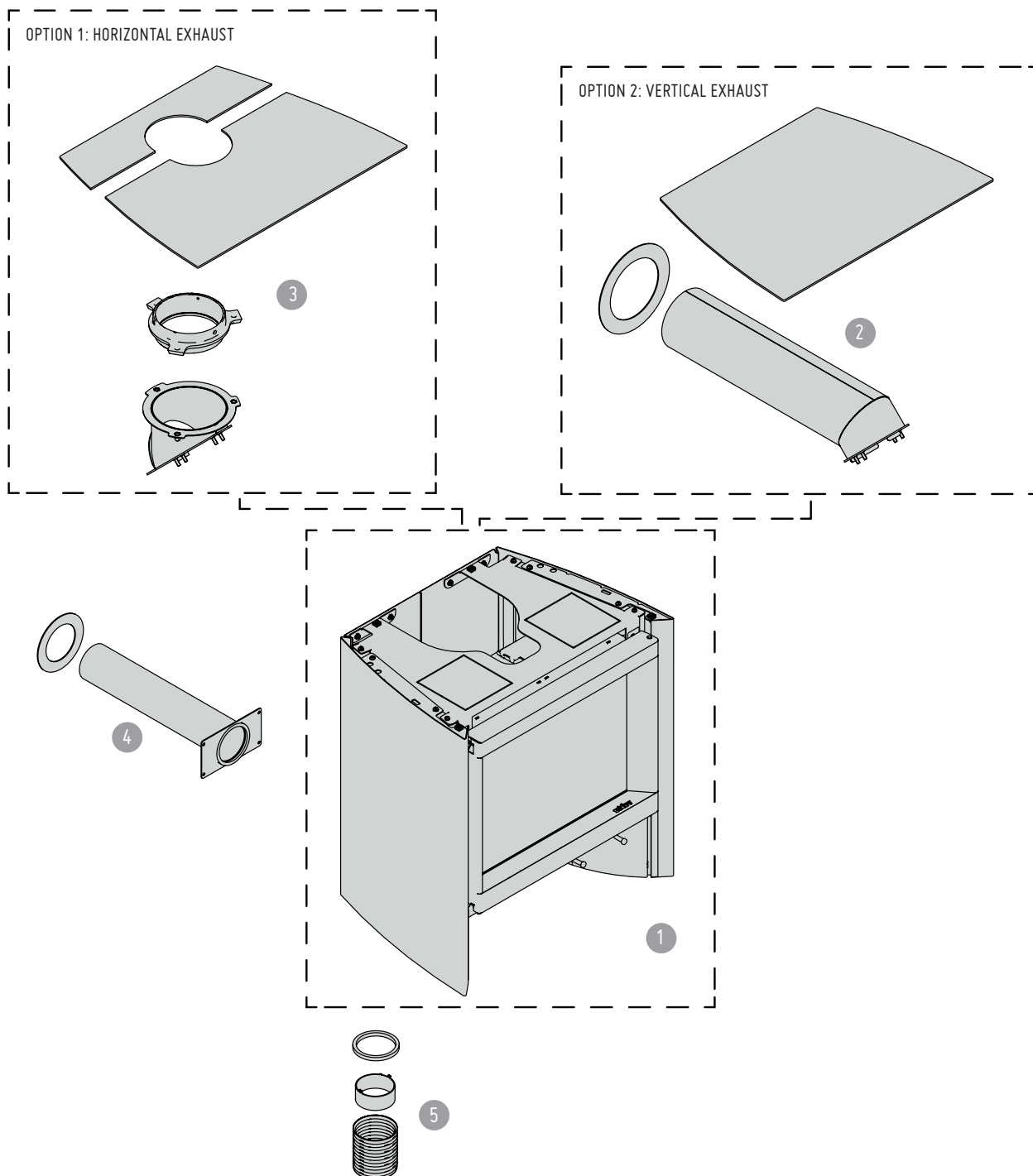
\*-0/+10mm

## DIMENSIONS AND POSITIONS OF THE AIR INTAKES



	A	B	C	D	E	F	G
Stuv 6 Freestanding	80mm	400mm	237*mm	175mm	350mm	50mm	263mm

# 2. OVERVIEW



## THE DEVICE

1 Stove

## CONNECTION TO THE COMBUSTION SMOKE OUTLET PIPE

2 Smoke outlet towards the rear and corresponding finishing cover

3 Smoke outlet upwards and corresponding finishing covers

## OPTIONS

4  $\varnothing 80$ mm rear air connection kit

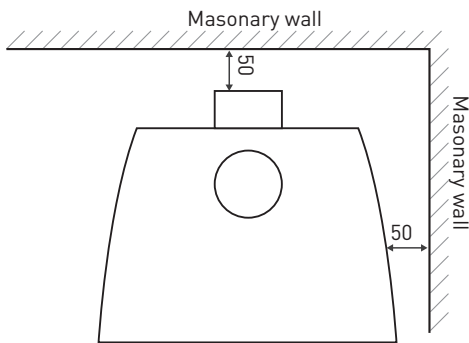
5  $\varnothing 80$ mm air connection kit from below

# 3. PRE-INSTALLATION

## MINIMUM CLEARANCE — INTERNAL

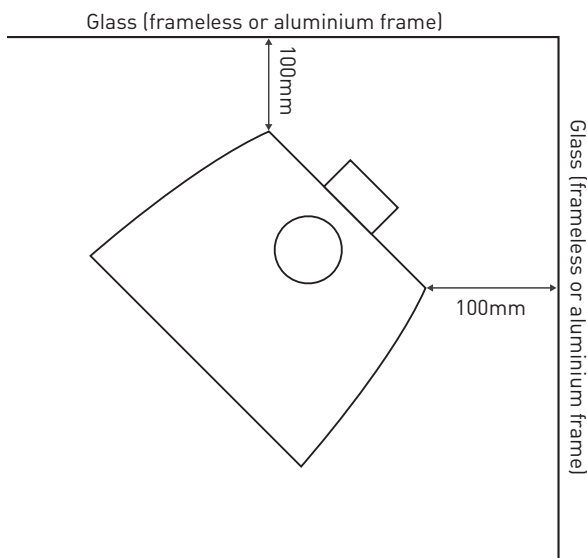
### 3.1 Clearance from masonry wall

50mm minimum clearance is required from fully masonry structure.



### 3.2 Clearance from glass

100mm minimum clearance is required from normal non-combustible glass.



#### IMPORTANT:

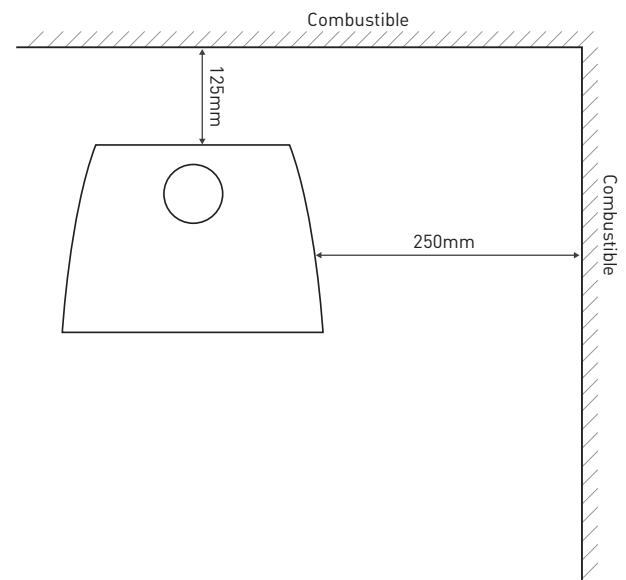
Frames must also be considered. Timber window frames must be treated as combustible surfaces (see 2.3). Aluminium frames can be treated as non-combustible surfaces (see 2.2).

### 3.3 Clearance from combustible surfaces (eg timber joist & concrete)

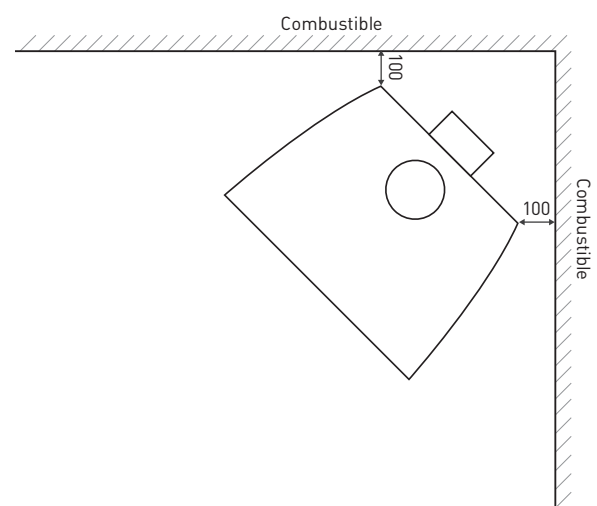
Clearances may be reduced with the application of heat shielding to walls in accordance to the Australian Building Code.

For information on heat shielding please contact our office on 03 9416 0400 or email [info@oblica.com.au](mailto:info@oblica.com.au).

#### Configuration 1 — Parallel installation



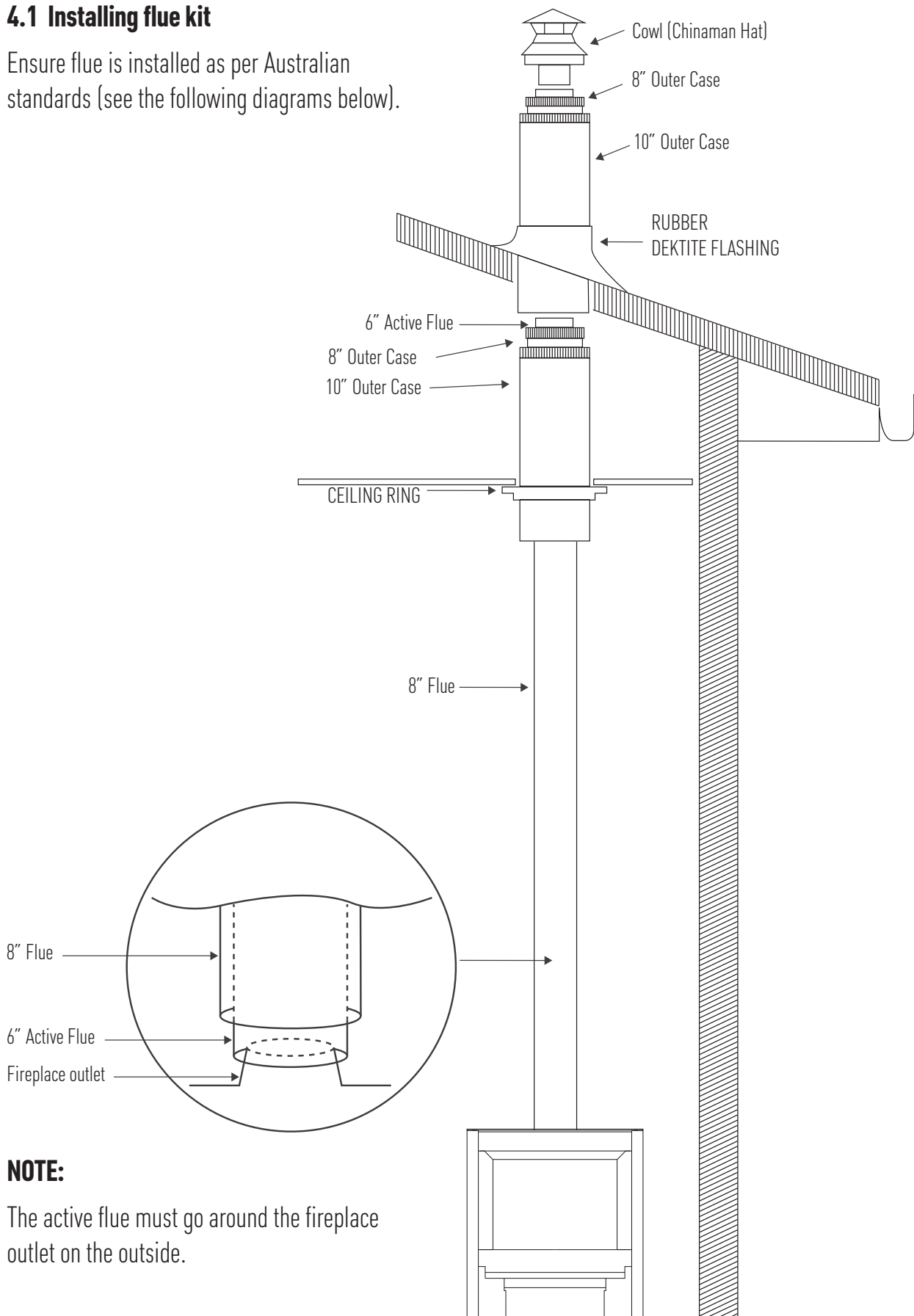
#### Configuration 2 — Corner installation



# 4. INSTALLATION

## 4.1 Installing flue kit

Ensure flue is installed as per Australian standards (see the following diagrams below).



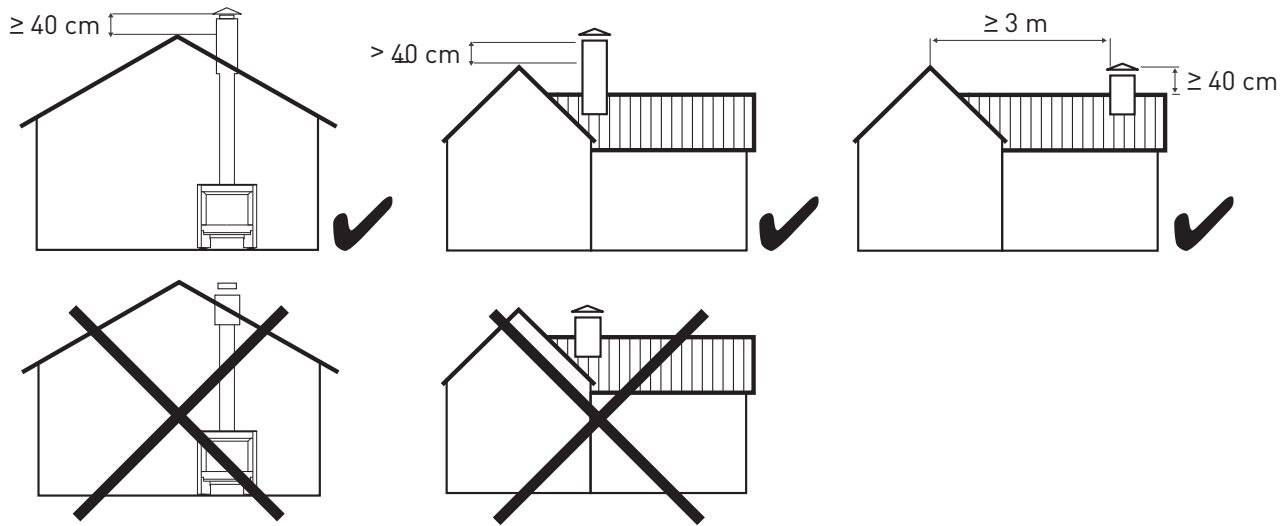
### NOTE:

The active flue must go around the fireplace outlet on the outside.

# 4. INSTALLATION

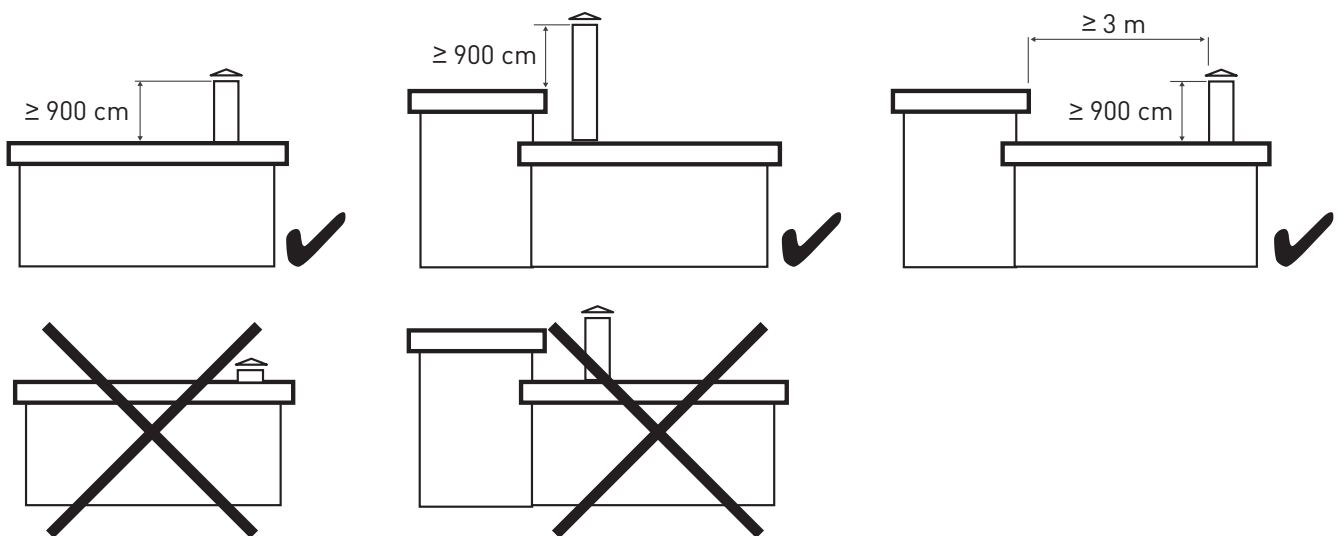
## PITCHED ROOF INSTALLATION

The top of the flue must be 400mm higher than the highest point of the roof. Alternatively, there must be a minimum distance of 3 meters from any higher section of roof.



## FLAT ROOF INSTALLATION (LESS THAN 5° PITCH)

The top of the flue must be 900mm above the roofline. Alternatively, there must be a minimum distance of 3 meters from any higher section of roof.



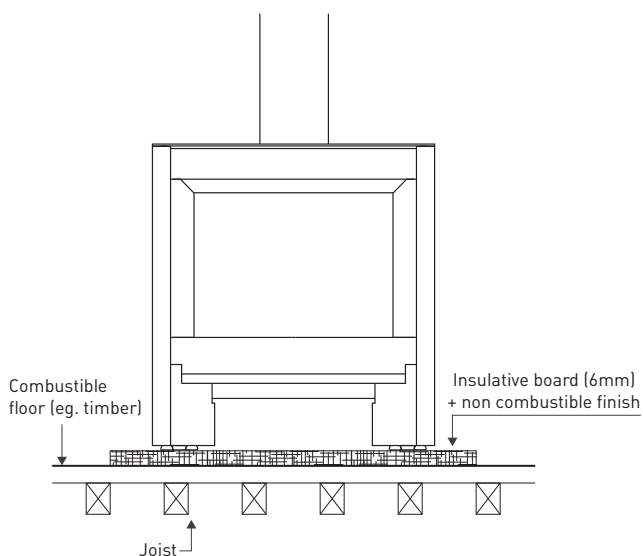


# 4. INSTALLATION

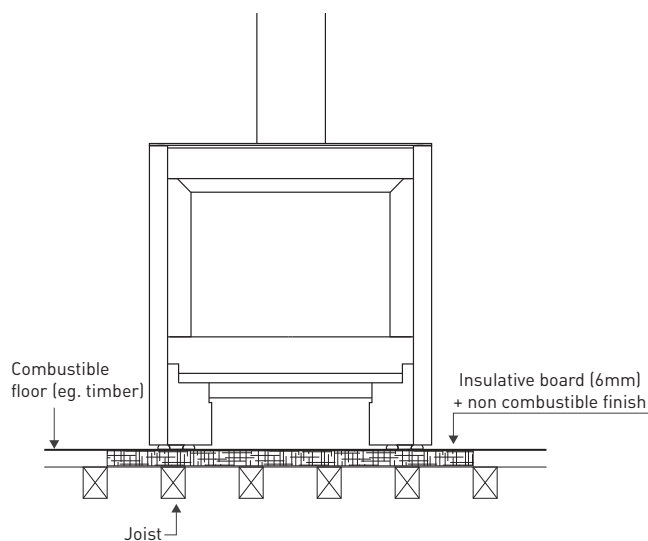
## 4.2 Protecting the floor

- Any combustible floor beneath a fireplace must have a floor protector that extends a minimum of 300mm at the front.
- If installed directly on combustible material, the floor protector must be made of a minimum 6mm thick cement sheet. Non-combustible finishes can be applied to the floor protector (tiles, steel sheet, light concrete, etc).
- If the combustible floor is installed on concrete, you can replace the combustible material with non-combustible material laid directly onto the concrete.

### FLOOR PROTECTOR LAID ON TIMBER FLOOR

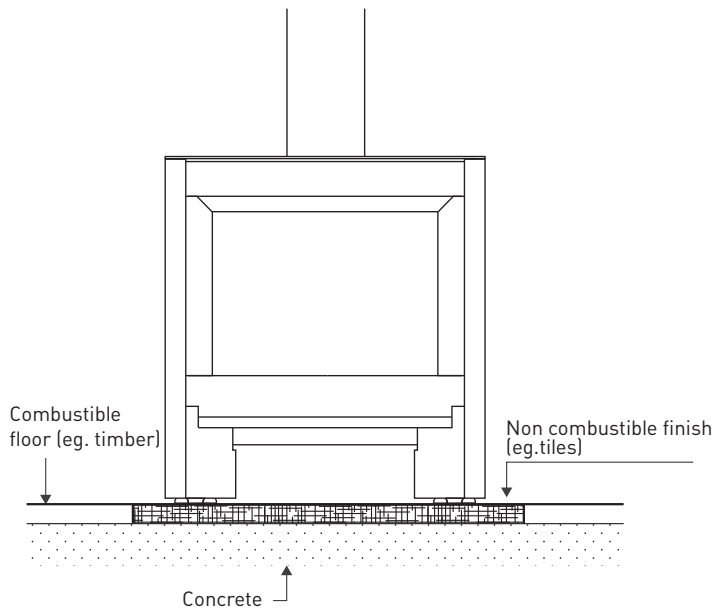


### FLOOR PROTECTOR LAID ON JOIST

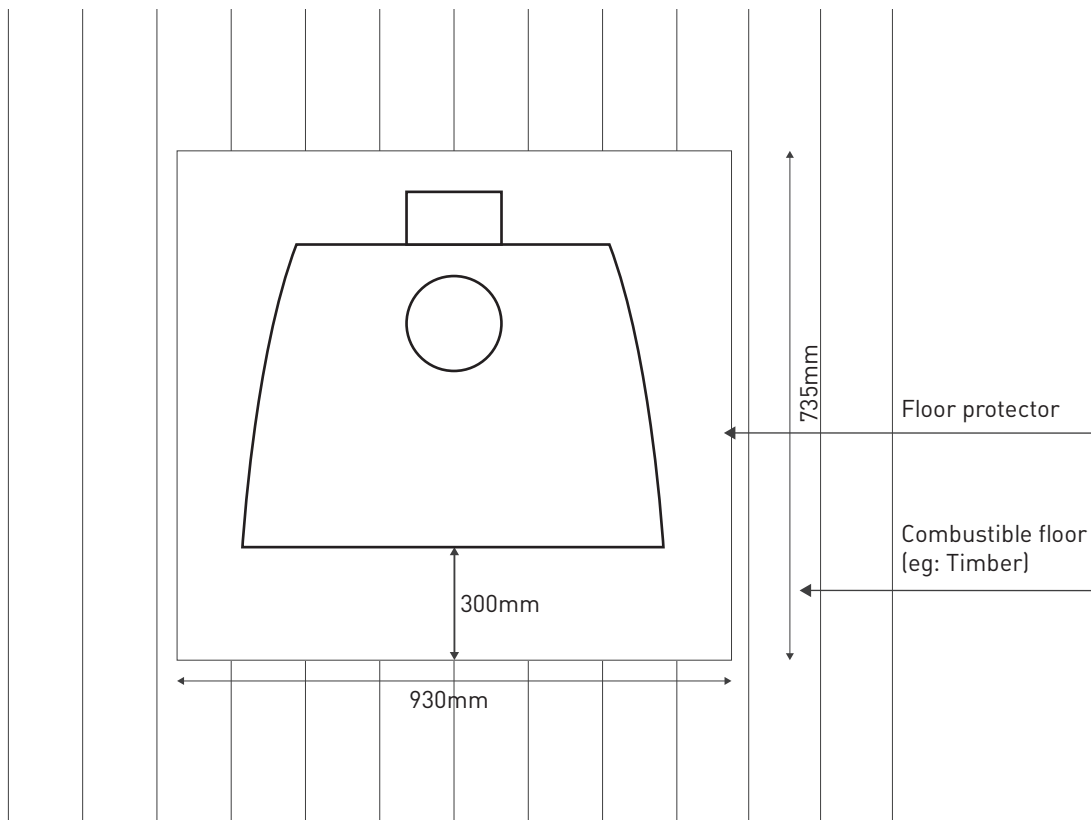


# 4. INSTALLATION

## FLOOR PROTECTOR LAID ON CONCRETE

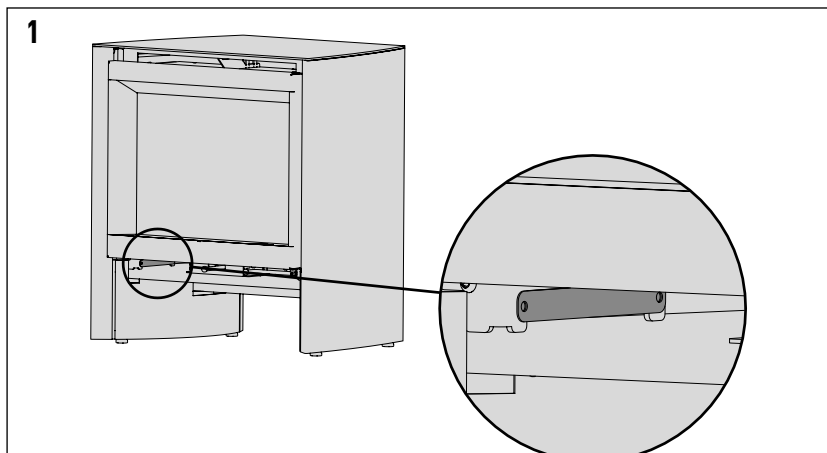


## TOP VIEW



# 4. INSTALLATION

## WHEN THE EQUIPMENT IS DELIVERED

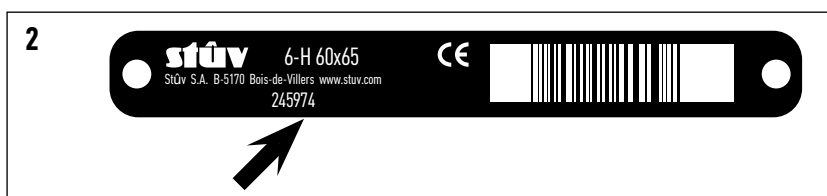


### Warning!

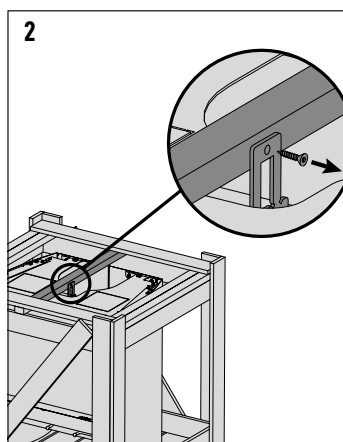
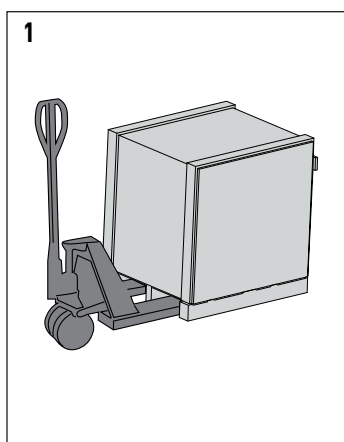
Signature of the delivery note implies the recipient's acceptance and acknowledgement that the goods are the ones that were ordered. It is therefore important to check it thoroughly at the time of delivery.

### Complaints

If you have any complaints, always mention the serial number displayed on the stove [figures 1 & 2].



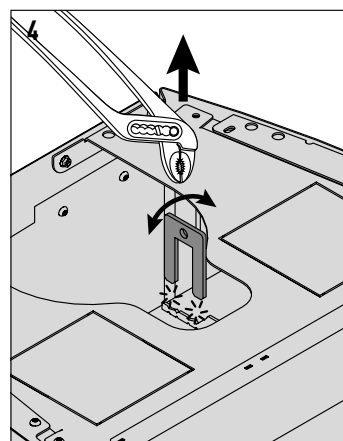
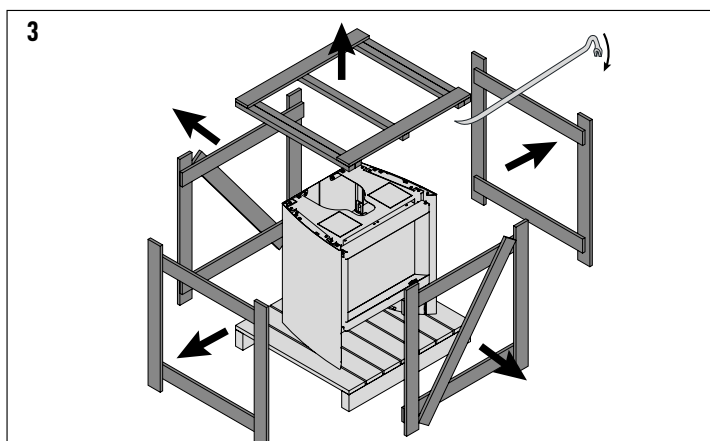
## UNPACKING



### Warning!

The paintwork is relatively fragile, so handle the appliance with care when installing it.

- > Remove the fixing screw from the crosspiece [diagram 2].
- > Dismantle the pallet structure using a crowbar [diagram 3].
- > Break the fixing lug with pliers [diagram 4].



# 4. INSTALLATION

## CHECKING THE CONTENTS

### **In the device's combustion chamber, you will find:**

- A can of paint for touch-ups,
- A black Stuv glove to give to the end user,
- Two pairs of white gloves for handling the stove, - A pack of hardware containing the screws to attach the smoke outlet,
- Installation and usage instructions.

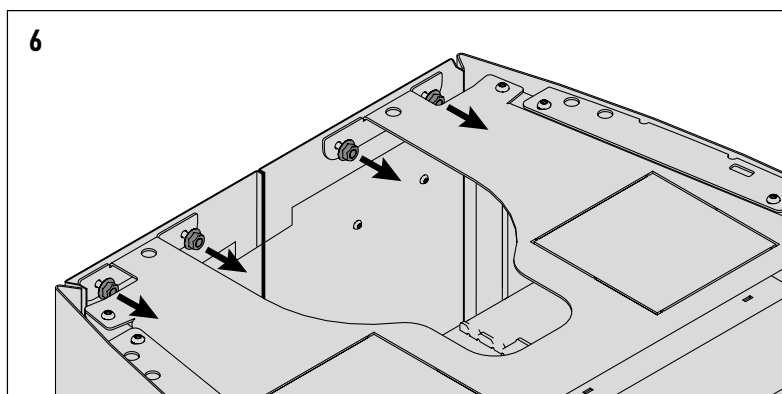
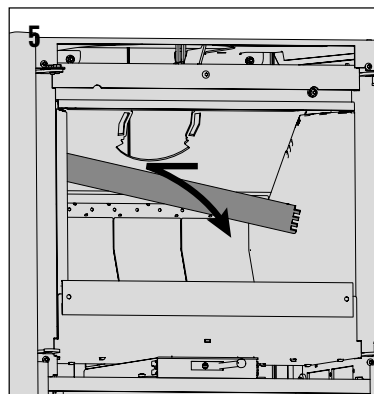
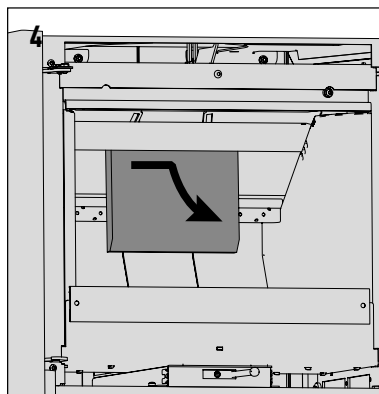
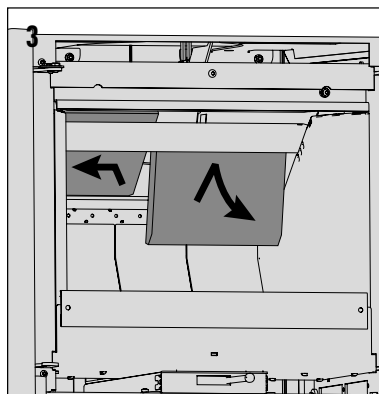
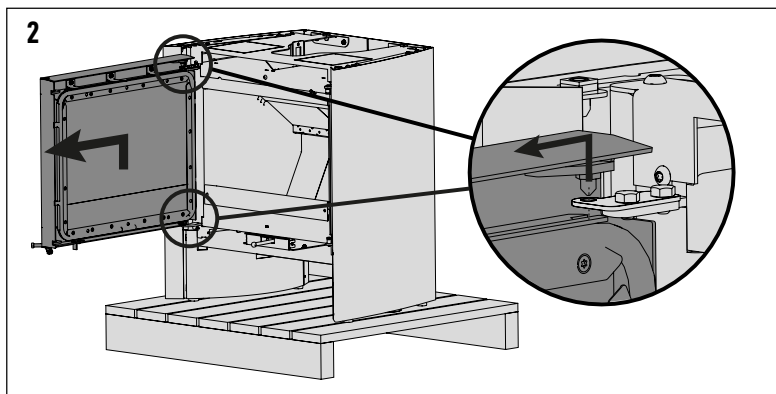
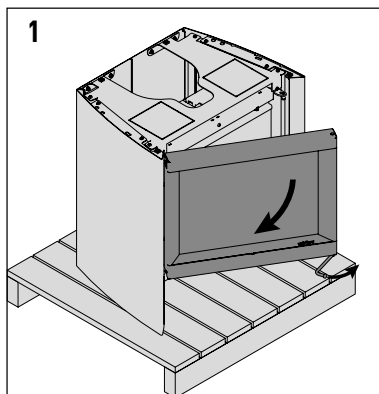
If any accessories or options have been ordered (floor plate, outside air connections,...), they are arranged around the stove or its packaging.

Make sure you have received all the accessories and options you ordered

# 4. INSTALLATION

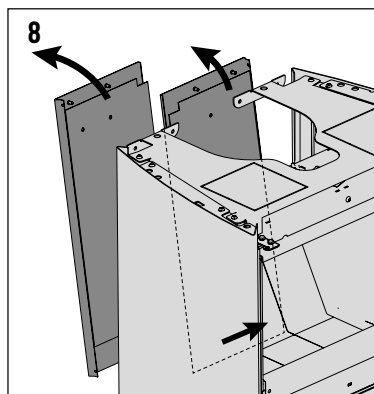
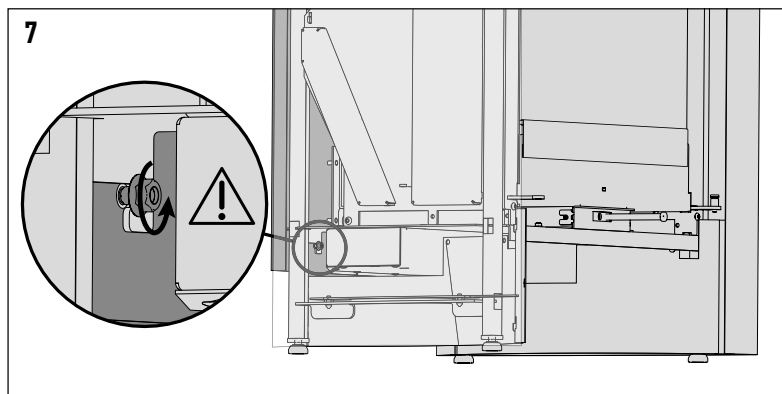
## DISMANTLING AND MOVING

Note: In order to lighten the appliance for easier handling and to avoid damaging the finishing elements, it is necessary to dismantle the door and the facings of the appliance before moving it. The handling is then done by its tubular structure.



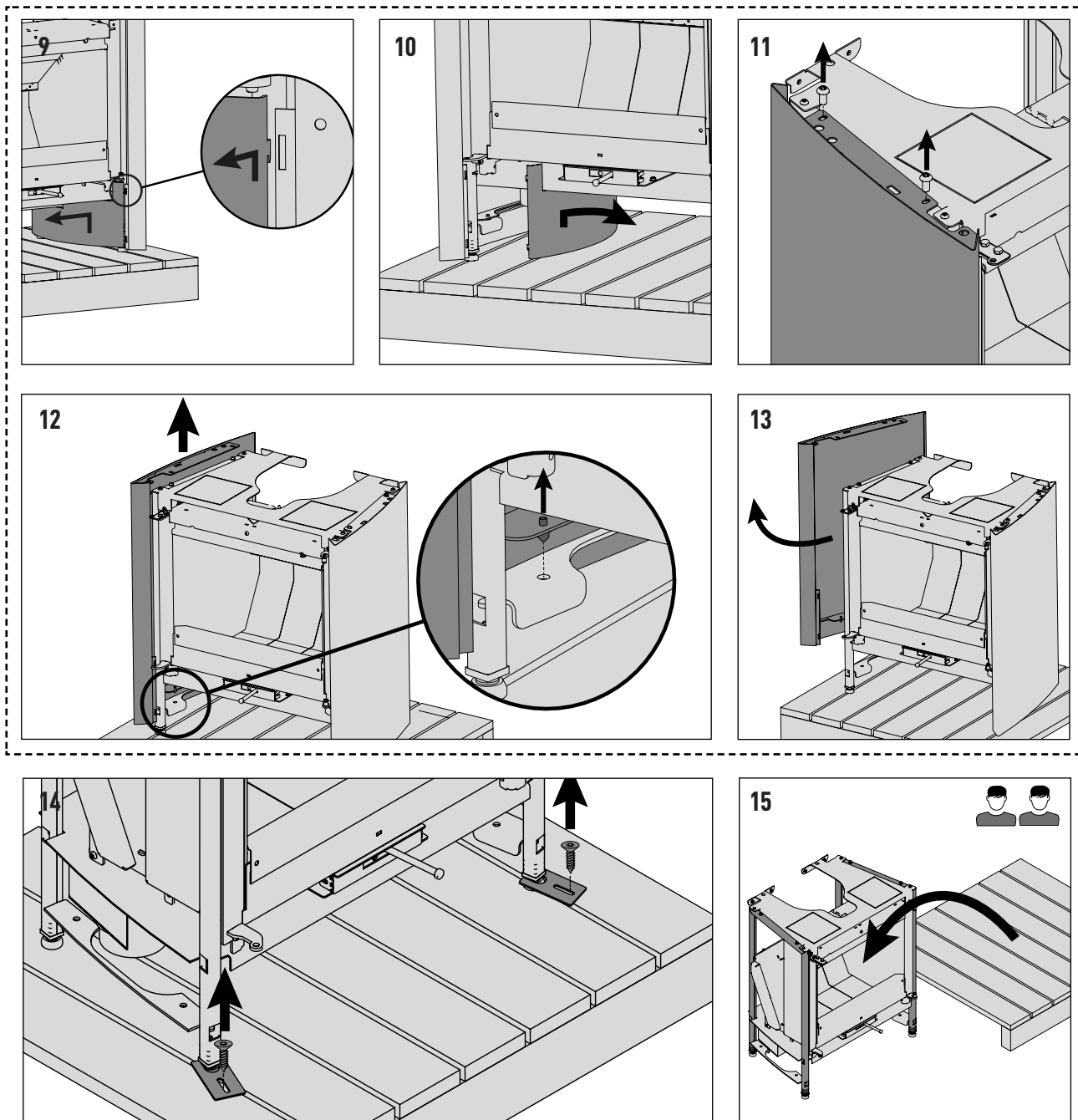
### Attention

To remove the rear facings, remove the 4 upper nuts [Figure 6], then loosen the 2 lower nuts and slide the facings sideways out of the groove [Figure 7&8].



# 4. INSTALLATION

## DISMANTLING AND MOVING



# 5. AIR INTAKE

## COMBUSTION AIR INLET

### OPTION 1: AIR FROM THE ROOM

You can choose the combustion air to be drawn directly from the room. You must make sure the room is sufficiently ventilated when the stove is in use.

**NB**  
Beware of active air extractive systems (cooker hood, air-conditioning unit, controlled mechanical ventilation, another stove etc.) in the same space or in a neighbouring room. They also use up a lot of air, could cause low pressure in the area and disrupt the smooth running of the stove. It is also important to make sure that the configuration chosen is completely compatible with local and national regulations.

### OPTION 2: AIR FROM OUTSIDE

#### External air inlet

An adequate air inlet should ideally be pointing either: - vertically under the stove, to be connected via a 80mm nozzle [figure 1].  
- horizontally behind the stove, to be connected using an external air inlet kit at the back and a 80mm nozzle [figure 2].

This air inlet should preferably come from a ventilated cavity, a ventilated space (cellar), directly from the outside (mandatory in some countries). In this case, be aware of the risk of condensation.

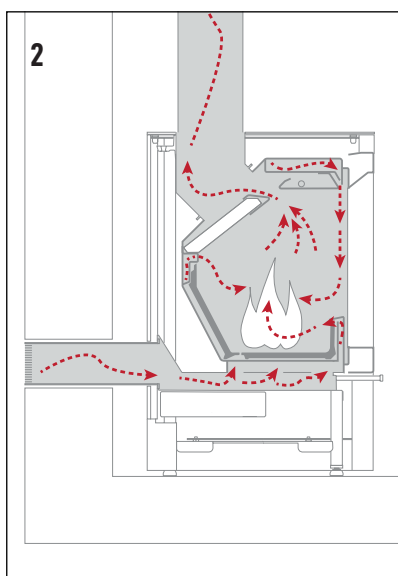
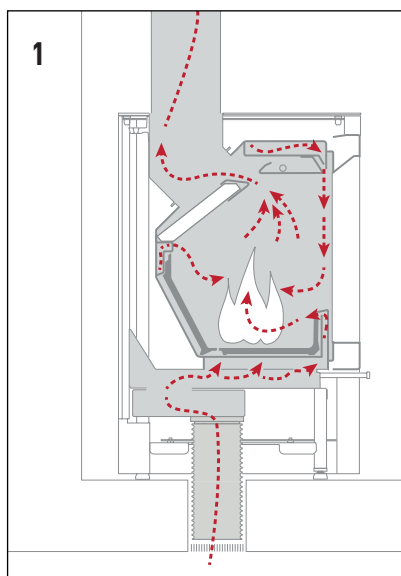
#### The duct that brings in the external air...

... will be protected from the outside with a grill where the cross-section of the clearance is at least equivalent to the cross-section of the air inlet. Watch out for water getting in as well as wind, as these could make the system ineffective.

.... will be as short as possible to prevent pressure loss and make sure the house doesn't get cold.

If you use our standard 80mm flexible duct, we recommend a maximum length of 2m and no more than 4 bends. If you do not follow these recommendations, you will need to compensate by having a larger diameter and/or a more flexible tube.

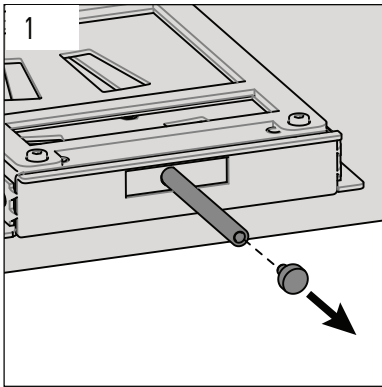
Make sure you do not squash the duct.



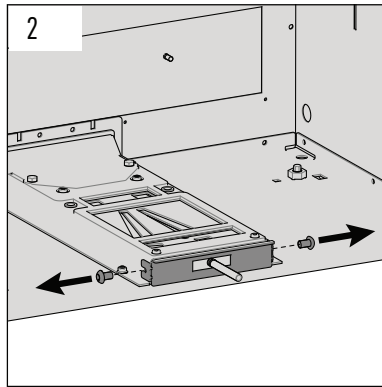
# 5. AIR INTAKE

## OPTION 1: AIR FROM THE ROOM

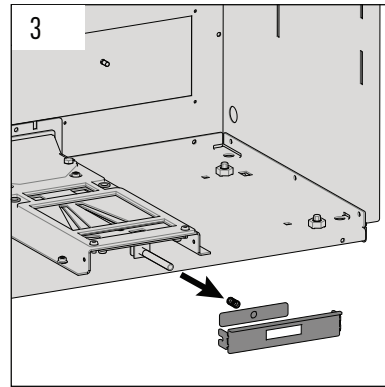
If you choose to get the air for combustion through the frame make sure you follow these simple steps:



1. Remove the head from the Damper.



2. Remove the 2 side screws.

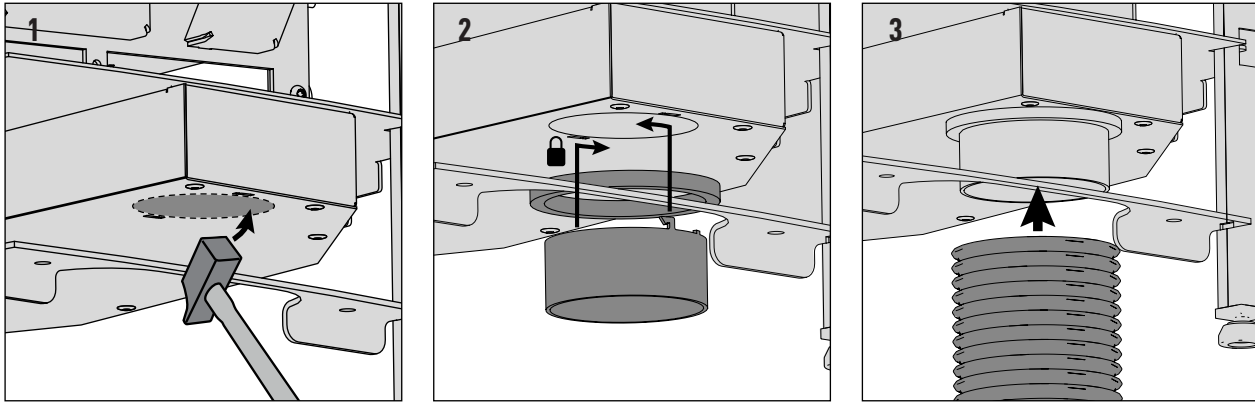


3. Remove the 2 plates and the spring.  
4. Put the Damper Head back on.



# 5. AIR INTAKE

## OPTION 2: EXTERNAL AIR CONNECTION FROM BELOW

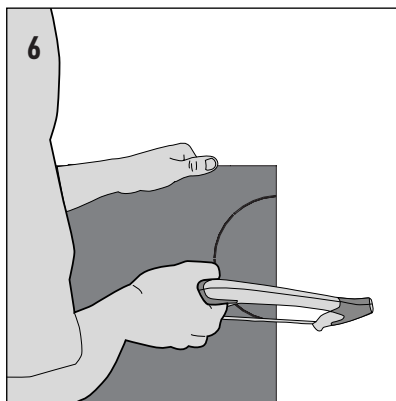
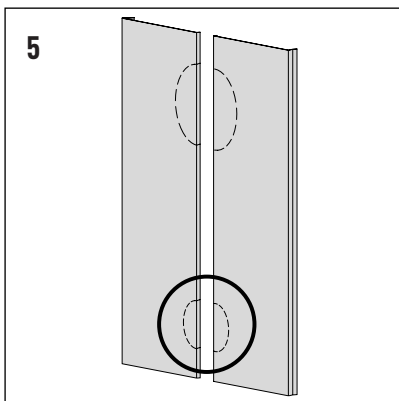
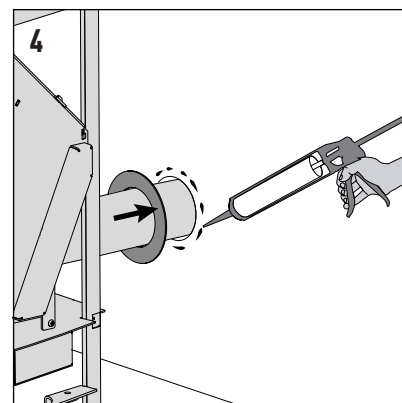
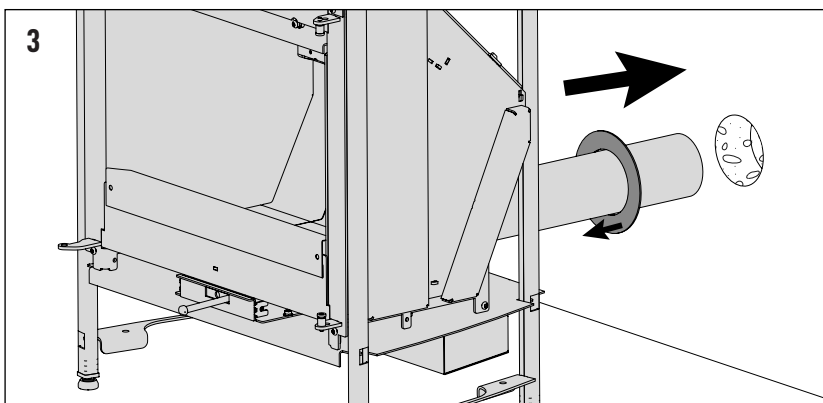
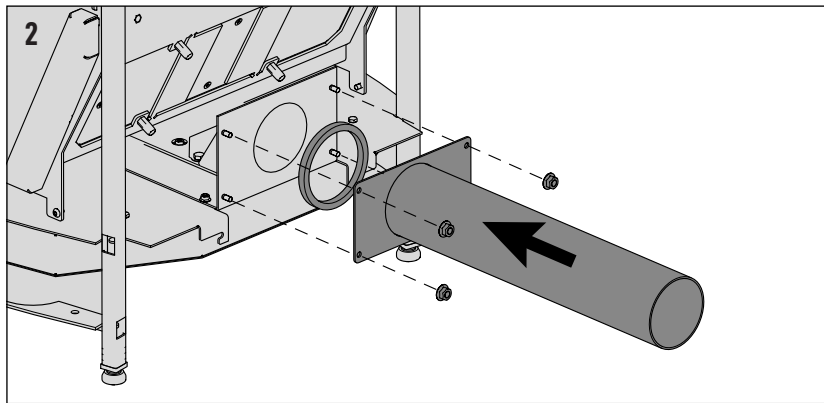
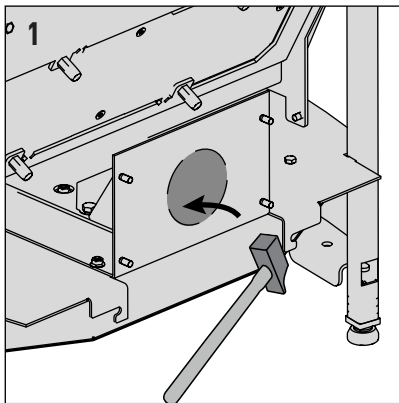


The outside air supply for combustion can be done on the right or on the left of the air box.

- > Break the pre-cut lid on the desired side [diagram 1].
- > Place the foam gasket in the nozzle on the air box, rotate the nozzle to lock it [diagram 2].
- > Attach the hose to the nozzle using a hose clamp [diagram 3]

# 5. AIR INTAKE

## OPTION 2: EXTERNAL AIR CONNECTION FROM THE REAR

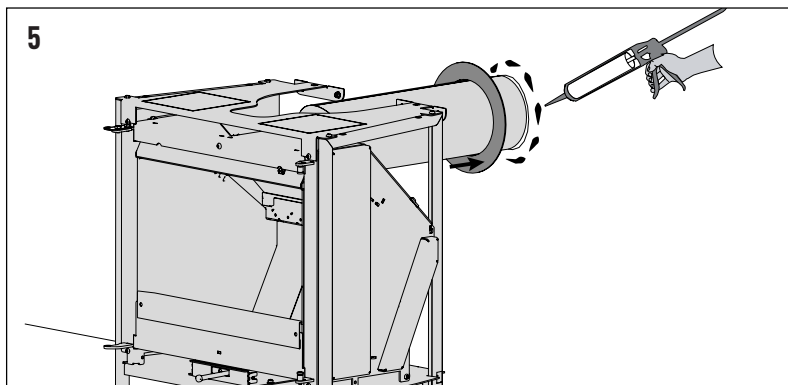
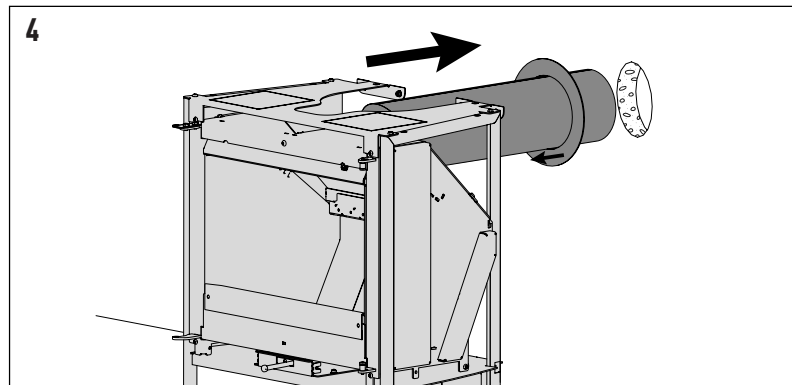
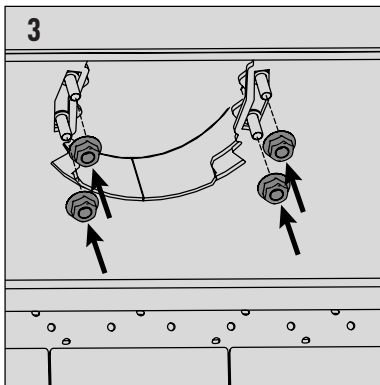
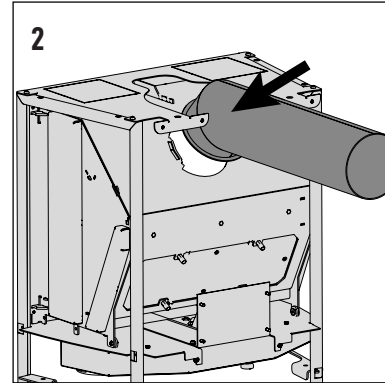
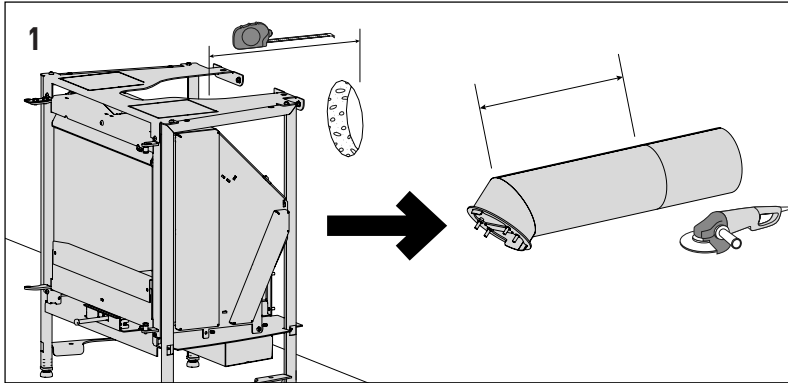


### Notes:

- > Use a temperature resistant glue for bonding the finishing rosette [diagram 4].
- > Saw off the first junctions of the pre-cut lid from the rear walls using a hacksaw then break the following [diagram 5 & 6].

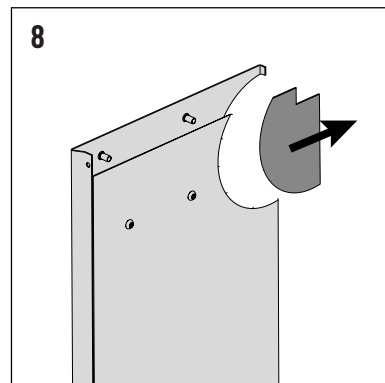
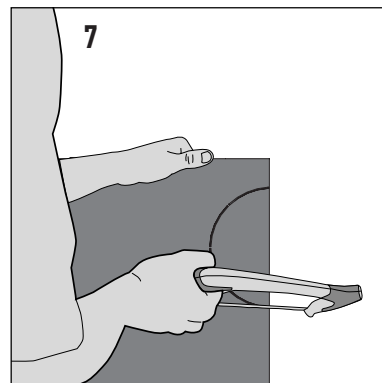
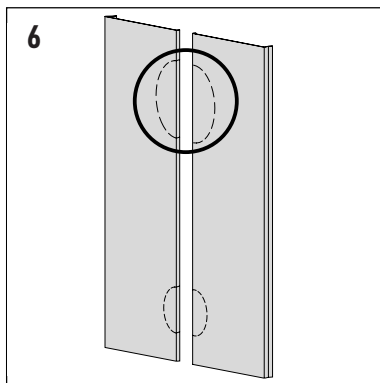
# 6. FLUE CONNECTIONS

## REAR FLUE CONNECTION



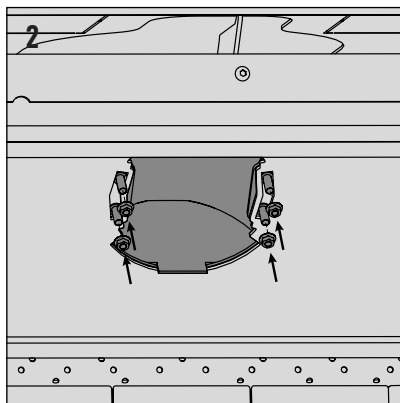
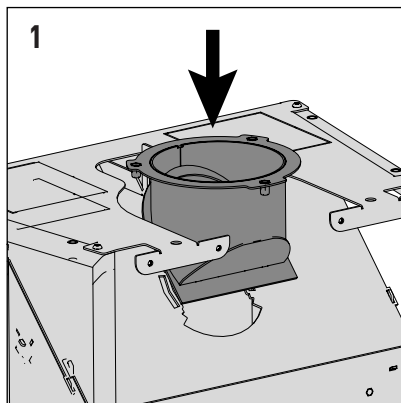
### Notes:

- > Use a temperature resistant glue for bonding the finishing rosette [diagram 5].
- > Saw the first junctions of the precut cover using a hacksaw then break the following [diagram 6-8].

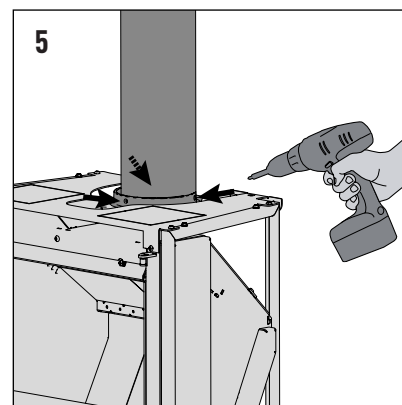
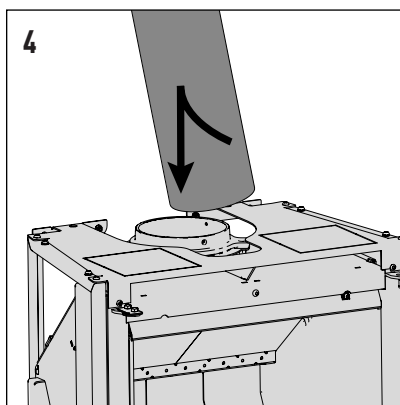
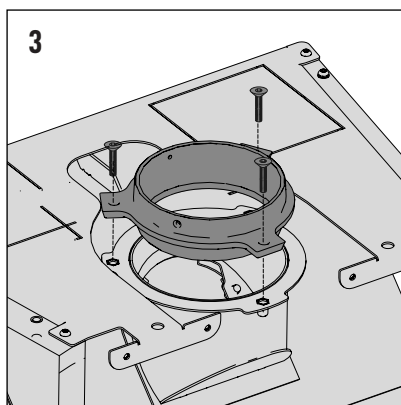


# 6. FLUE CONNECTIONS

## TOP FLUE CONNECTION

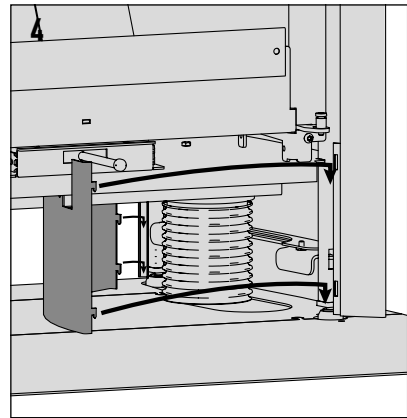
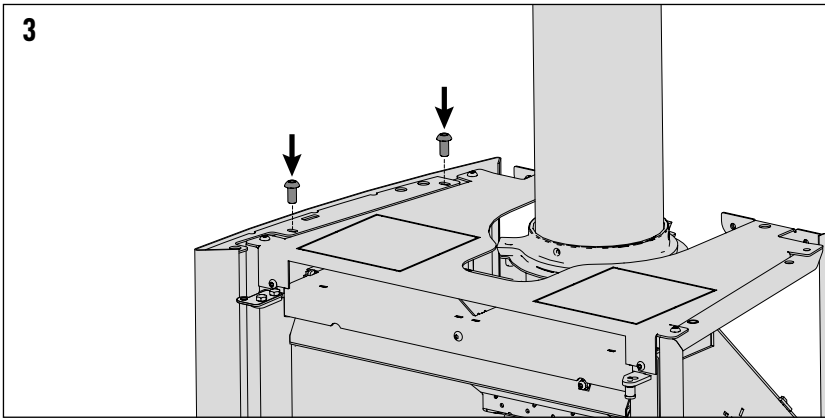
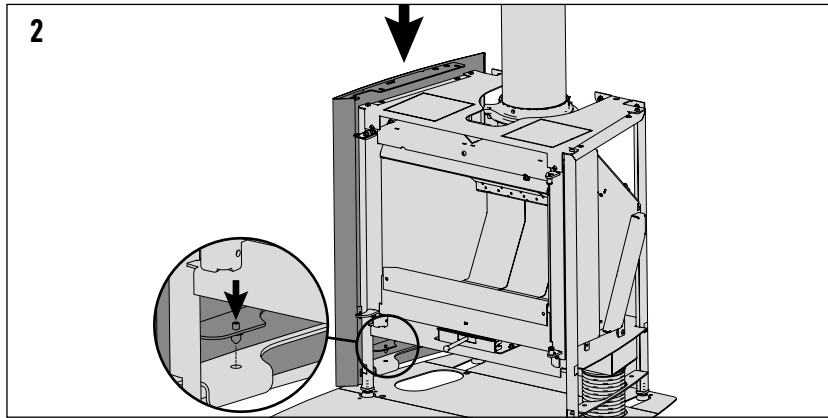
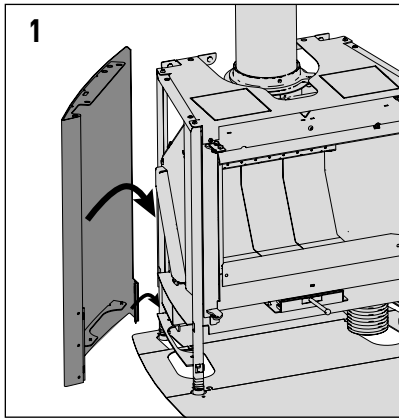


**Caution:** Attach the nozzle to the fireplace using self-tapping screws. Three holes are fitted for this purpose in the cast iron flange [diagram 5].

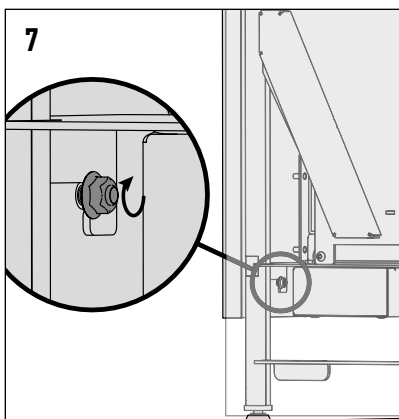
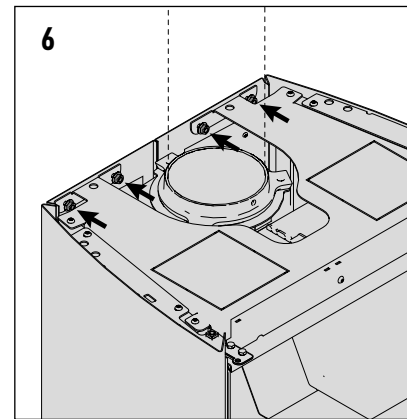
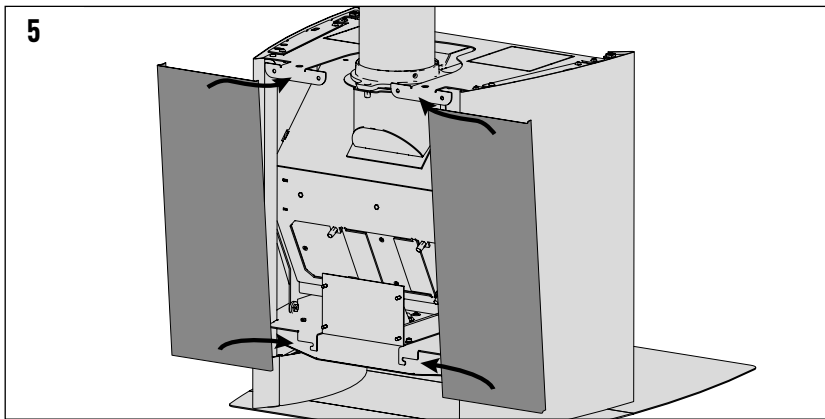


# 7. REASSEMBLY

## REASSEMBLY OF SIDE FACINGS AND DOOR

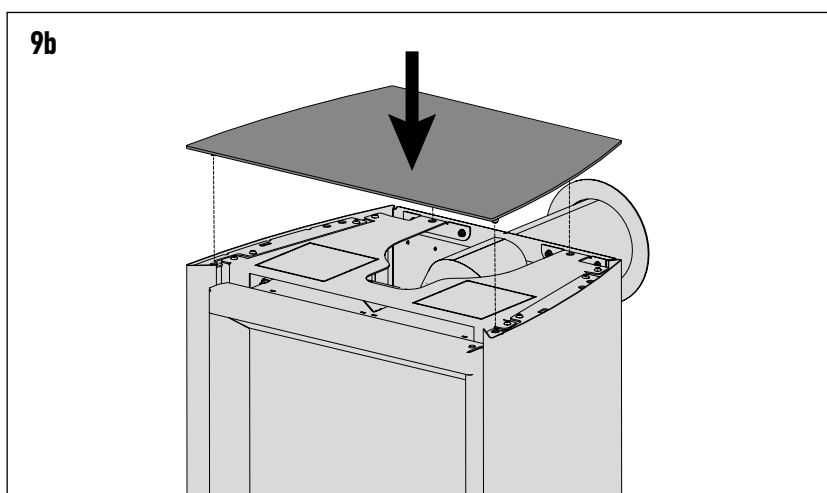
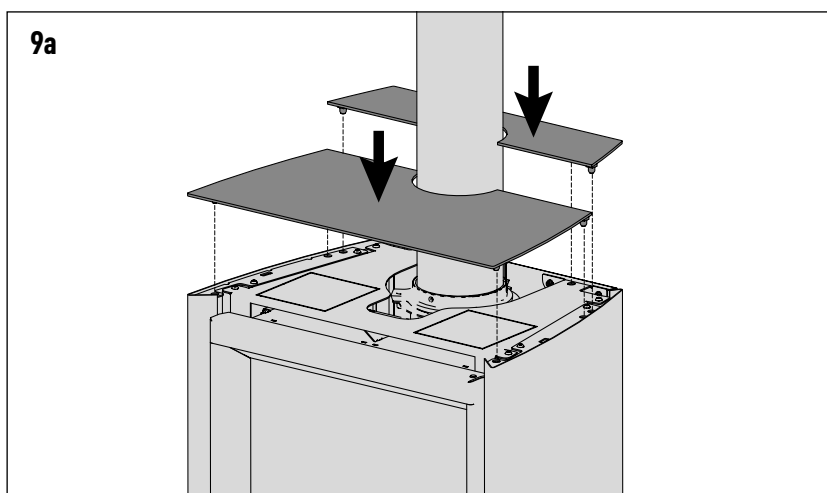
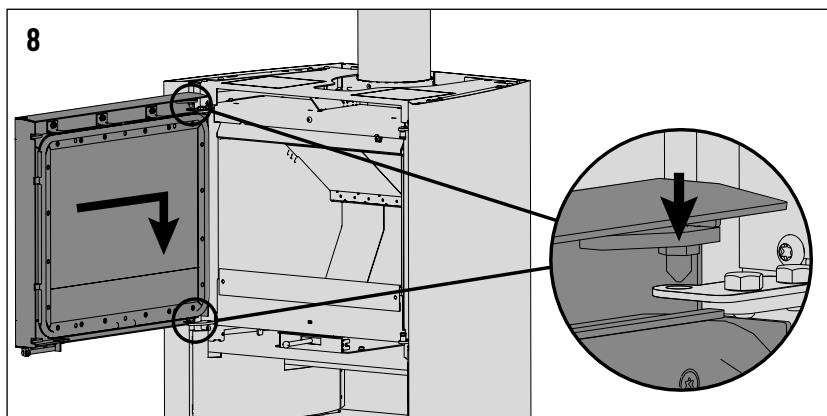


2X



# 7. REASSEMBLY

## REASSEMBLY OF SIDE FACINGS AND DOOR



## WHEN INSTALLATION OF THE STOVE IS COMPLETE...

... carry out a test to make sure the stove is working.

Before you start, make sure that no element connected to installation has been left in the combustion chamber or in any gaps.

The first time you light the fire, some fumes and smells may be released: make sure the room is well ventilated.

Please refer to the instructions for use. Once the stove is installed, give the instructions back to the user. Fill in the warranty certificate with them (online), the acceptance report and the installation report, and recommend that they send this back to the manufacturer or importer.

# 8. OPERATION

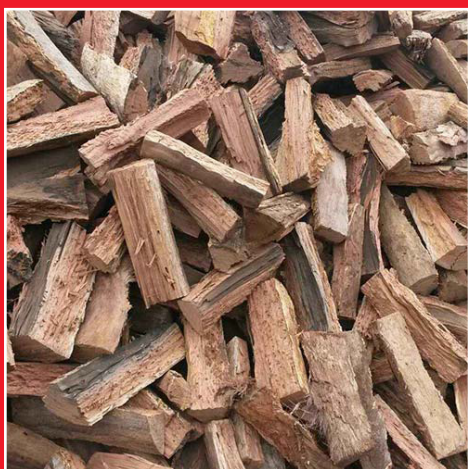
The first time you light the fire, some fumes and smells may be released: make sure the room is well ventilated.

## What you should burn

- Untreated, air dried hardwood
- Split logs with a humidity content of less than 20%

## Do not burn

- Trash
- Painted plastic
- Coated or preservative treated wood
- Waste or black coal
- Inflammable liquids
- Fire gels
- Moist wood with a residual humidity content of more than 20% (this may cause sooting of the chimney).



### NOTE:

**Australian hardwood is extremely dense and we highly recommend using double split logs or "pizza oven" logs for optimum operation. Smaller logs will burn more cleanly and generate more heat making for a more efficient and enjoyable combustion.**

### WARNING:

- The Maximum load capacity of the STUV 6 Freestanding is 5 kg of Hardwood/hour.
- Overloading the unit may result in damaging the heater and voiding the warranty.
- Misuse may lead to unhealthy and environmentally harmful emissions.
- Misuse may impact integrity of the heater and will void any warranty or guarantee.
- Burning only seasoned hardwood helps to protect the environment and lower emissions.

# 9. TEST REPORT

## TEST REPORT NO ASFT18044

<b>TESTING LABORATORY:</b>	Australian Solid Fuel Testing
<b>MANUFACTURER:</b>	Stuv
<b>MODEL:</b>	STUV 6 Freestanding
<b>WORK REQUESTED:</b>	Assessment of appliance to AS/NZS 4012:2014 for determination of Power Output and Efficiency and AS/NZS 4013:2014 for flue gas emission using hardwood fuel.
<b>ISSUE DATE:</b>	05/06/2020
<b>INVESTIGATING OFFICER:</b>	Steve Marland
<b>RESULTS:</b>	The <b>Stuv 6</b> Insert solid fuel burning appliance produced an appliance particulate emissions factor of 0.6g/kg and an average efficiency of 62% for all burn rates, using hardwood that complies to AS/NZS 4014.1, when tested according to joint AS/NZS 4012, AS/NZS 4013 (2014).
<b>CONCLUSION:</b>	The Stuv 6 Insert solid fuel burning appliance complies with the requirement of a combined efficiency of not less than 60% and a particulate emissions factor of not greater than 1.5g/kg of hardwood that complies to AS/NZS4014.