

FOR PROFESSIONALS

stuv

installation instructions [en]
Stûv 30-compact in

January 2013 – SN 112787 > ...

This Stûv stove has been designed to offer you maximum comfort and safety. It has been manufactured with the greatest of care.

If however you should find the slightest dissatisfaction with it, please contact your supplier.

We recommend that you read these instructions prior to installation.

Contents

PRESENTATION OF THE PRODUCT	3
Standards, certification and technical characteristics	3
Overview	4
Configurations & dimensions	5
Recommandations	9
The Clean Air Act 1993 and Smoke Control Areas	9
PREPARATION OF THE AREA	10
Combustion air inlet	10
Smoke flue	11
Connection to the smoke flue	12
Holding capacity of the structure	13
The stove's surroundings and decoration	13
Circulation of convection air	14
Forced convection	15
Insulating the fireplace : pros & cons	16
Tools	16
INSTALLATION	17
On taking delivery of the equipment	17
Unpacking	18
Removing the exterior parts of the stove	19
Unpacking the interior components of the stove	20
Positioning of the hand-lift truck	23
Positioning of the stove	24
Connection with outside air	25
Convection	25
Installation of the air case (optional)	27
Installation of the thermal switch (optional)	28
Auxiliary ventilation	29
Connection to the smoke flue	31
Installation of finishing pieces (uprights, extension) : 3 possible configurations	31
Positioning of the ground plate	36
Positioning of the ceiling finishing piece (optional)	37
Lining the combustion chamber	38
Construction of cladding	38
Adjusting the minimum valve opening stop	39
ACCEPTANCE OF WORKS	41

PRESENTATION OF THE PRODUCT

Standards, certification and technical characteristics

The Stûv 30-compact in stove (for intermittent operation) comply with the requirements of EN European Standards in terms of efficiency, gas emissions, safety etc....

Data provided in this notice are supplied by a certified laboratory.

**Test results according to
EN 13229: 2001 and
13229-A2: 2004 standards
(built-in stoves)**



**Stûv sa
B-5170 Bois-de-Villers (Belgium)**

11QA111322909
EN 13229: 2001 / A2: 2004

Wood insert **Stûv 30-compact in**

Minimum insulation thickness with regard to potentially combustible materials (conductibility of the insulating material used at 400°C=0.11 W / mk):

- behind: 0 cm
- on the sides: 3 cm
- below: 0 cm
- above: 3 cm

Recommended fuel: wood logs only

CO emissions: < 0.10%

Average smoke temperature at rated power: 280°C

Nominal heat power: 6 kW

Efficiency: > 80%

Particle emissions: <40 mg/Nm³

Please read the installation instructions and directions for use!



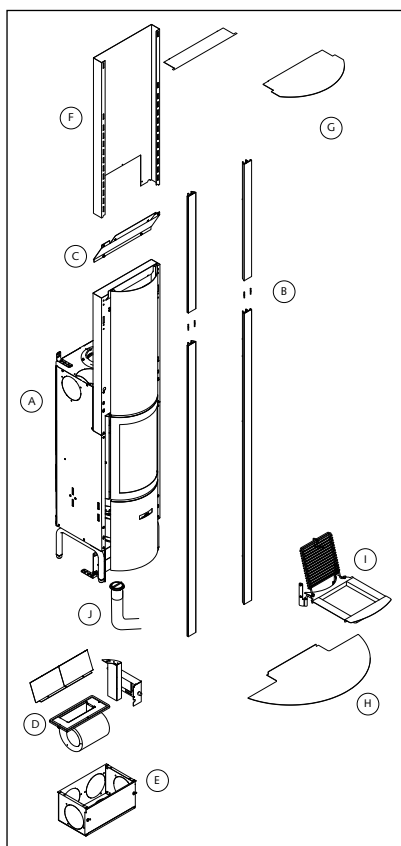
Stûv 30-compact in are covered by the patent nr 1130323.

Other technical characteristics

Stöv 30-compact in	
Minimum diameter of the duct for the intake of outside combustion air (if the stove is not connected to outside air)	100 cm ²
Maximum length of logs in vertical position	40 cm
Maximum length of logs in horizontal position	25 cm
System mass	142 kg
Optimum output range for usage	3–8 kW
Range of wood consumption per hour recommended (at 12% humidity)	0.8–2.3 kg
Maximum limit for consumption of wood per hour (to avoid overheating the system)	3.7 kg/h

	glass-door mode	closed-door mode	open-fire mode
Minimum draught needed to obtain the rated calorific output	12 Pa	12 Pa	7 Pa
Weight-flow ratio of smokes	5 g/s	5.5 g/s	38.3 g/s
Average smoke temperature at rated power	326°C	332°C	140°C

Overview



Basic equipment

[A] the stove

En option

[B] uprights for configuration R

[C] diverter for configuration B

[D] ventilation kit

[E] air case

[F] connection for configuration R

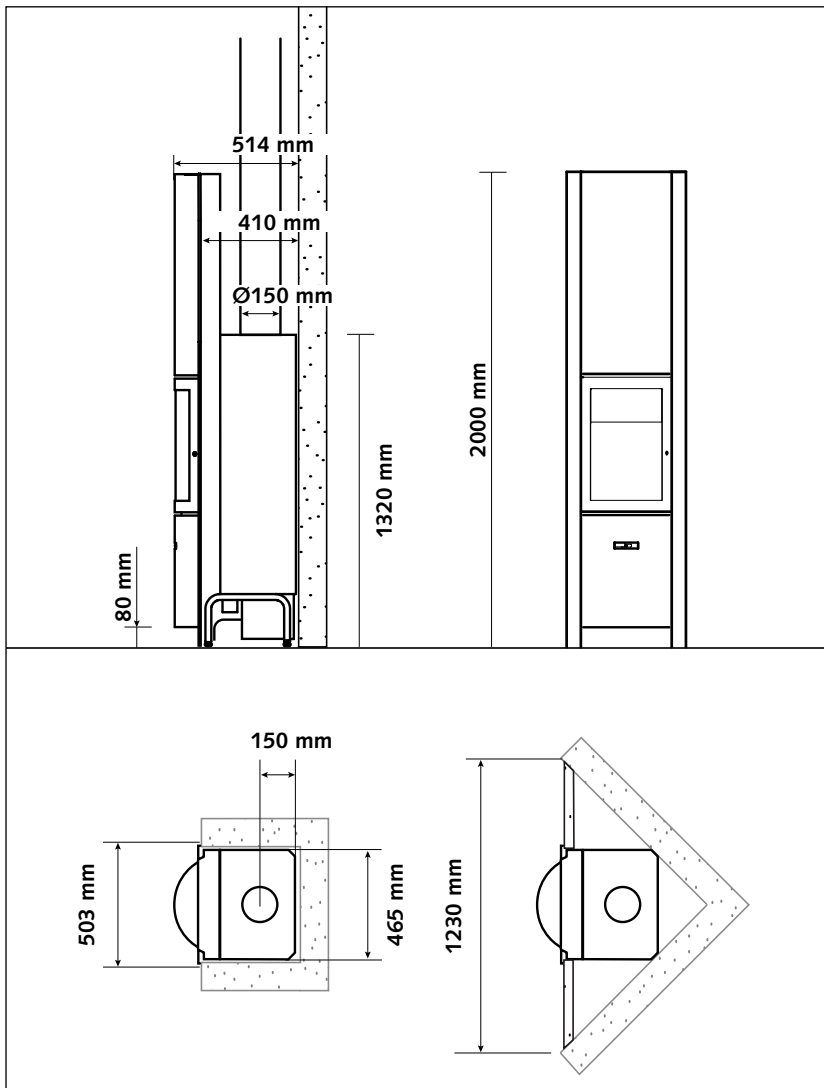
[G] ceiling finishing plate

[H] floor finishing plate

[I] barbecue kit

[J] outside air inlet kit

“Basic” configuration B with fitted uprights



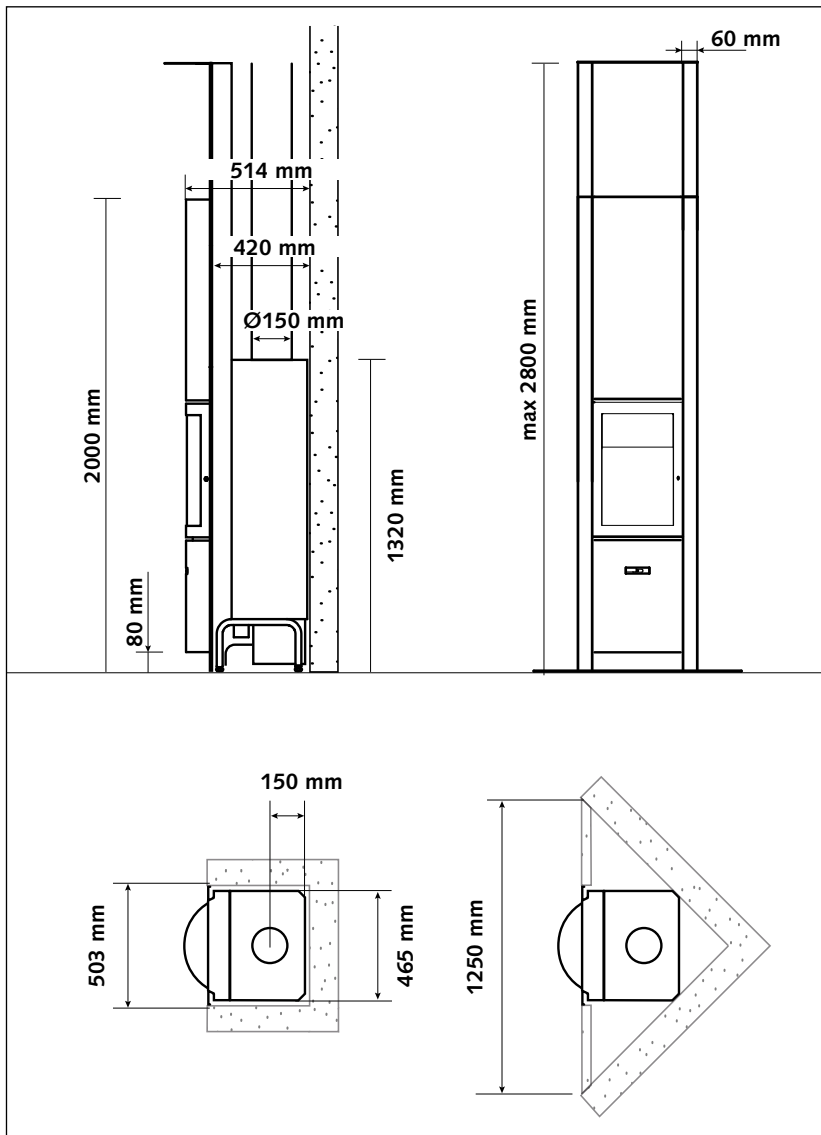
This is the simplest installation method.

The fitted uprights provide a finish for the cabling.

A wide range of materials can be used for the wall.

The recess can be entirely completed before installing the stove.

“Adjustable” configuration R with flush uprights



All the convection air inlets and outlets are integrated into the stove.

Access to the connection duct at any height.

Avoids the need for a lintel.

The wall does not have to be closed up again above the stove.

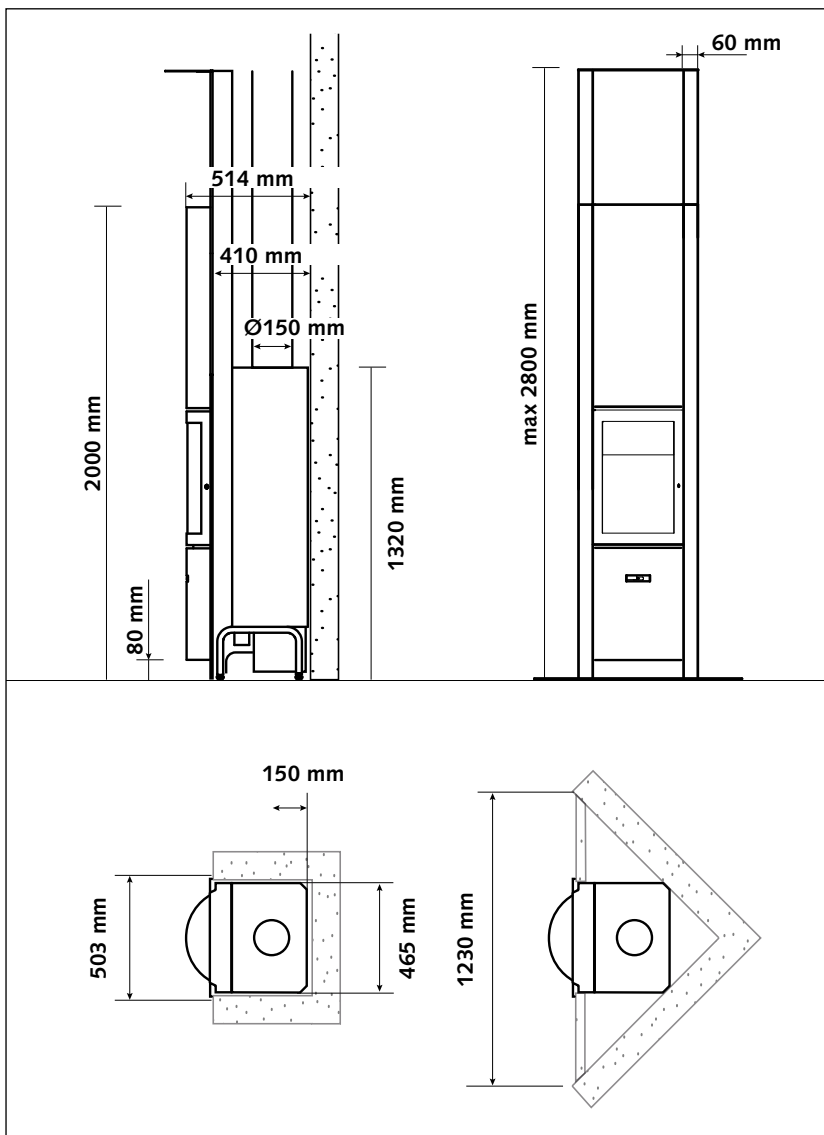
Accentuates the stove's verticality.

Greater subtleness – the stove is aligned and blends in with the wall.

The recess can be entirely designed before installing the stove.

A wide range of materials can be used for the wall.

“Adjustable” configuration R with fitted uprights



All the convection air inlets and outlets are integrated into the stove.

Access to the connection duct at any height.

Avoids the need for a lintel.

The wall does not have to be closed up again above the stove.

Accentuates the stove's verticality.

Greater subtleness – the stove is aligned and blends in with the wall.

The recess can be completely designed before installing the stove.

A wide range of materials can be used for the wall.

Configuration P "ready-to-fit"



This configuration accentuates the subtleness of the design as uprights are not required.

Installation where the stove is partially fitted is possible.

Various features are integrated :

- log storage
- kindling storage
- cleaning bag storage
- storage for the barbecue kit
- etc.

Cladding is available in various colours.

Various materials can be used in the structure to personalise the finish.

Recommendations

We strongly recommend you entrust the installation of this Stûv to a qualified professional who is able to ensure that the characteristics of the smoke flue correspond to the stove installed.

The installation of the stove, its accessories and surrounding materials must adhere to all regulations (local and national) and all standards (national and European).

Some national and local regulations require the installation of an access flap in the connection between the stove and the smoke flue.

The stove has to be installed in such a way as to facilitate access to sweep the stove, the connection duct and the smoke flue.

Any modification made to the system may be dangerous and will invalidate the guarantee.

The Clean Air Act 1993 and Smoke Control Areas

Under the Clean Air Act local authorities may declare the whole or part of the district of the authority to be a smoke control area. It is an offence to emit smoke from a chimney of a building, from a furnace or from any fixed boiler if located in a designated smoke control area. It is also an offence to acquire an "unauthorised fuel" for use within a smoke control area unless it is used in an "exempt" appliance ("exempted" from the controls which generally apply in the smoke control area).

The Secretary of State for Environment, Food and Rural Affairs has powers under the Act to authorise smokeless fuels or exempt appliances for use in smoke control areas in England. In Scotland and Wales this power rests with Ministers in the devolved administrations for those countries. Separate legislation, the Clean Air (Northern Ireland) Order 1981, applies in Northern Ireland. Therefore it is a requirement that fuels burnt or obtained for use in smoke control areas have been "authorised" in Regulations and that appliances used to burn solid fuel in those areas (other than "authorised" fuels) have been exempted by an Order made and signed by the Secretary of State or Minister in the devolved administrations.

Further information on the requirements of the Clean Air Act can be found here : <http://smokecontrol.defra.gov.uk/>

Your local authority is responsible for implementing the Clean Air Act 1993 including designation and supervision of smoke control areas and you can contact them for details of Clean Air Act requirements"

The Stûv 30C has been recommended as suitable for use in smoke control areas when burning wood.

- Refuelling on to a low fire bed

If there is insufficient burning material in the firebed to light a new fuel charge, excessive smoke emission can occur. Refuelling must be carried out onto a sufficient quantity of glowing embers and ash that the new fuel charge will ignite in a reasonable period. If there are too few embers in the fire bed, add suitable kindling to prevent excessive smoke

- Fuel overloading

The maximum amount of fuel specified in this manual should not be exceeded, overloading can cause excess smoke. Fuel level must not exceed the upper line of secondary air holes in the back of the combustion chamber [diagram 1].

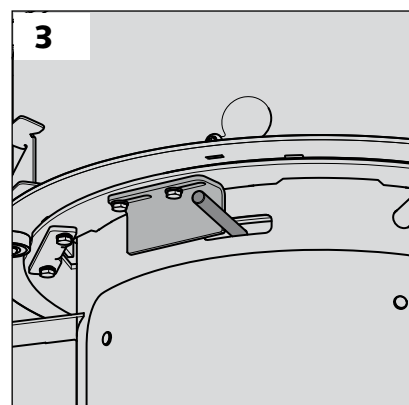
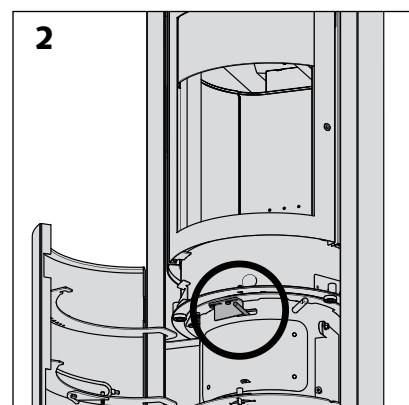
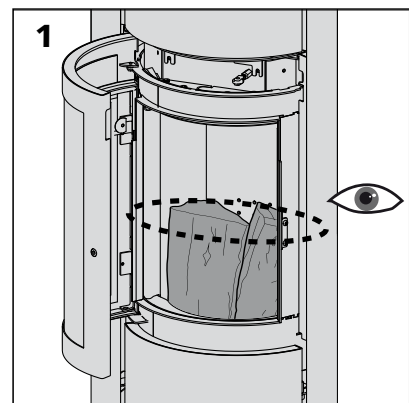
- Operation with door left open

Operation with the door open can cause excess smoke. The appliance must not be operated with the appliance door left open except as directed in the instructions.

- Dampers left open

Operation with the air controls or appliance dampers open can cause excess smoke. The appliance must not be operated with air controls, appliance dampers or door left open except as directed in the instructions.

- The air valve can not be turned down lower than the medium position. There is a physical stop to prevent closing air valve further. [diagrams 2 & 3]



PREPARATION OF THE AREA

Combustion air inlet

The stove requires air for combustion (particularly when working in open-fire mode).

The ideal solution

The Stûv 30-compact in is designed to be directly connected to an outside air inlet (independent of the air in the house). We recommend this set-up.

When connecting the flexible outside air inlet duct, leave a space of around 2 cm between the flange and flexible duct in order to tilt the whole unit and connect it to the stove [diagrams 5 outside air connection].

If the stove is not connected directly to an outside air inlet...

A sufficient air inlet (100 cm²) should ideally be created close to the stove.

This air inlet comes from a ventilated empty space, a ventilated room (cellar) or from outside (mandatory regulation in some countries) [diagrams 1 & 2].

The duct that brings in outside air... (whether it is connected to the stove or not)

... will be protected on the outside by a grill [diagram 2a-3a] the free passage section of which is at least equivalent to the section of the air inlet. Please note that the infiltration of water and the effect of the wind can damage the system.

... will ideally be fitted with a closure valve (for example, the Stûv valve [foto 4]) to prevent the room from becoming cold when the stove is not in use.

... will be as short as possible to prevent pressure loss and to prevent making the house cold.

If you use our standard flexible Ø 63 mm flue, we recommend a maximum length of 4 m and no more than 4 elbows (see table below). If you exceed these guidelines, you must compensate with a greater diameter and/or a smoother duct.

Careful not to crush the flue.

Length of flue	max. permitted number of elbows
1 m	4 elbows
2 m	4 elbows
3 m	2 elbows
4 m	0 elbow

The external valve

[diagram 2/b and photo 3] prevents the house from becoming cold when the stove is not in use.

This device is optional if you choose a direct connection to the stove [diagram 1-2]. However, it is indispensable if the lengths of the ducts to the stove are too great or installation is carried out in an energy-efficient home.

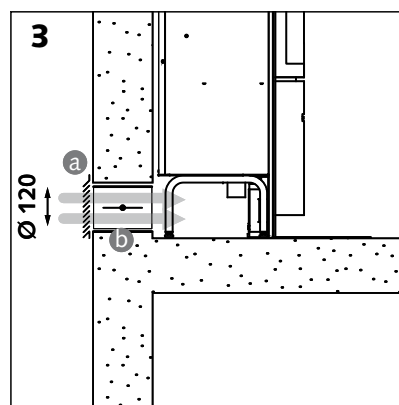
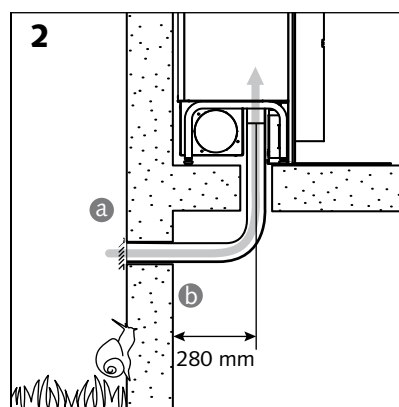
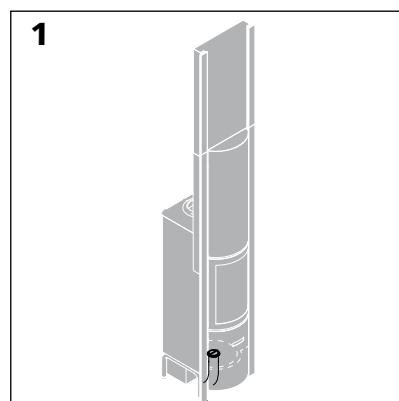
It should ideally be located as close as possible to the outside wall. It can be controlled from inside if it is not too far away from the stove (length of the flexible of the valve control = 1.2 m).

If it is not possible to bring in outside air near the stove (most unfavourable case)...

...ensure there is sufficient replenishment of air in the room when the stove is in use.

Please note

Be careful with air extraction systems (kitchen hoods, air conditioning, mechanically-controlled ventilation, other stoves) in operation in the same space or in an adjacent room. They also use lots of air and can cause a depression in the room and prevent the stove from operating correctly (risk of draughtback). They can affect the operation of the stove even if it is connected to an outside air inlet.



Ensure the flue's dimensions meet local regulations and the applicable installation standards in line with good practice.

Basic information

For good draught, the stove must be suited to the flue (or vice versa).

An oversized flue is as detrimental to the smooth operation of the stove as an undersized flue.

At www.stuv.eu > **questions – answers** you will find a simplified method to determine the specifications of the flue depending on the type of stove.

The flue should be as straight as possible and insulated to encourage the draught and prevent condensation.

The ideal solution is a flue built inside the building and thermally insulated. An outside flue without any insulation must be avoided.

The stove can only be connected to a smoke flue serving several systems on 4 conditions:

- all of the systems connected to this flue use the same fuel,
- all of the systems connected to this flue are fitted with an automatic closure device,
- the flue has been assessed for this type of usage (consult a professional if necessary),
- the Stûv 30-compact in has the option of an “automatic closure device”.

Take care to avoid heat loss!

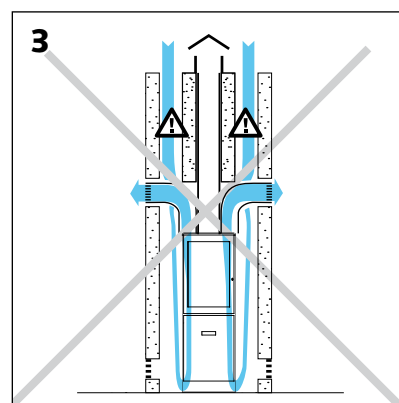
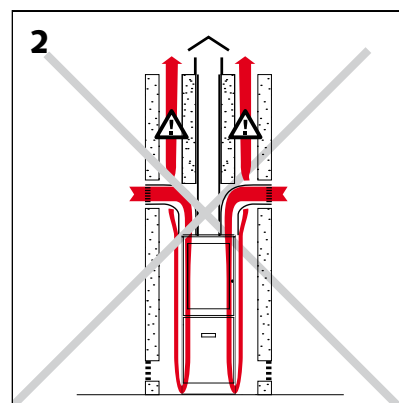
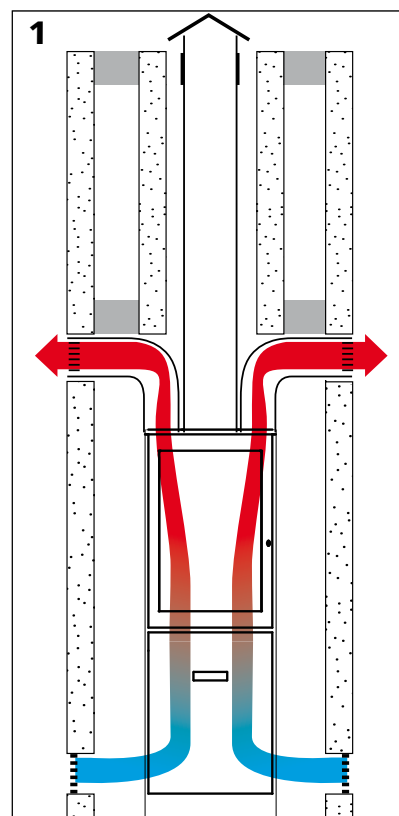
If several flues are available: only use one of them. Block up the unused flues at the top and bottom and, generally speaking, ensure that the top of the recess where the stove is fitted is air-tight [diagram 1].

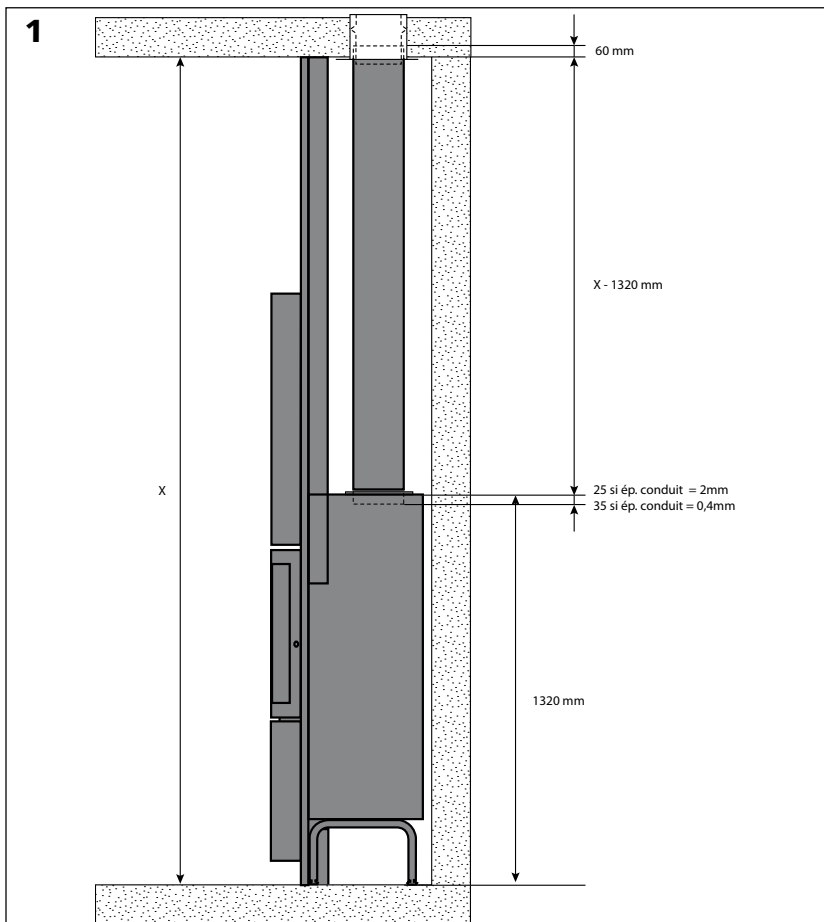
Unused flues or ventilated spaces between walls can generate undesirable counter-draughts (the hot air escapes) [diagram 2], or cause the entry of cold air from outside [diagram 3].

Standard specifications of the outlet

Diameter: Some flue configurations may require a different diameter than that provided as standard. Should this be the case, please consult your retailer.

Thickness: This has to be between 0.4 and 2 mm.





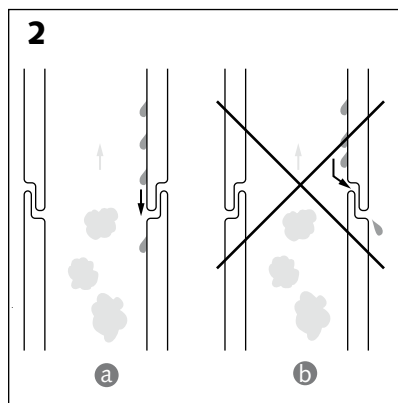
Allow play of 2 mm/m for expansion of the flue.

Calculation of the height of the duct

The height of the connection duct will be that of the distance from ground to ceiling minus 1320 mm (height of the system).

Add around 60 mm to that for the fitted part of the duct in the ceiling.

For the sinking of the duct at stove level, add 25 mm for a duct 2 mm in thickness and 35 mm for a 0.4 mm duct.



Air-tightness

The various components which make up the connection between the stove and the smoke flue and those which make up the flue itself have to be fitted so that they are airtight for the condensation [diagram 2/a] rather than the smoke [diagram 2/b].

Holding capacity of the structure

Ensure that the resistance of the floor is sufficiently strong to support the stove and the construction of the cladding. If in any doubt, please consult a specialist.

The stove's surroundings and decoration

The recess

Check the dimensions of the recess [diagrams 1 to 3].

The stove must be able to expand freely. The brickwork or decorative materials must not enter into contact with the stove under any circumstances; leave a gap of at least 5 mm.

This recess and/or the space around the stove must be ventilated to prevent "heat traps" [see below].

If necessary, insert insulating material of the thickness required between the stove and inflammable materials [see page 16].

Leave sufficient space around the fan (if you have chosen this option).

Widen the recess by around 3 cm if you connect flexible hot air outlet ducts.

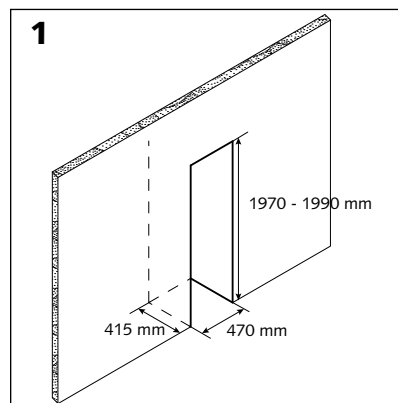
Radiated heat

Significant heat may be radiated through the glass door. Ensure the materials exposed to this radiated heat are resistant to high temperatures.

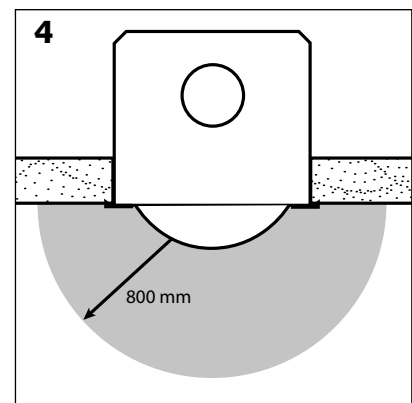
Prevent "heat traps" in the cladding, recess and hood

Any closed or contained space constitutes a heat trap which causes the walls to heat up. Circulation of air can be ensured by having an air inlet in the base of the cladding (hood or recess) and an outlet in the upper part.

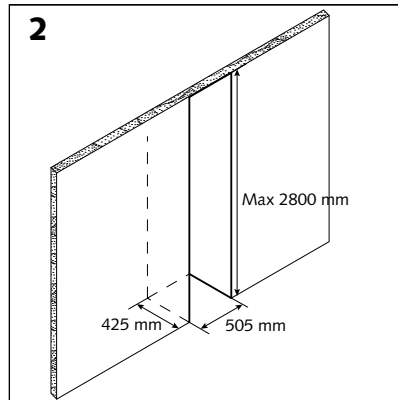
Recess for 30-compact in B



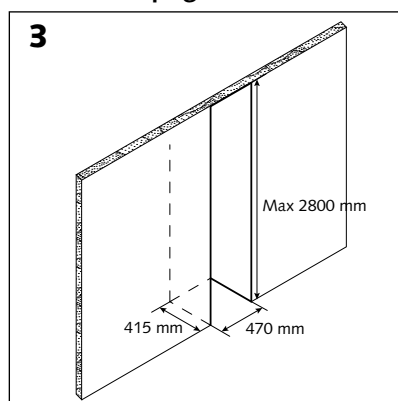
Radiated heat



Recess for 30-compact in R with flush uprights



Recess for 30-compact in R with fitted uprights



Natural or forced convection ?

Natural convection is sufficient in most cases [diagram 1].

This configuration obviously allows easier (no electrical connection) and less expensive installation and ensures completely silent operation.

However, a fan unit:

- enables the amount of air to be increased and for it to be distributed further: this is vital if you set up an air circuit with long lengths of ducting,
- allows the temperature to be made constant more quickly in the space to be heated,
- enables the air temperature to be reduced in the outlet vents (therefore preventing combustion of the ash and the depositing of ash on the surrounding plasterwork).

Air passage

Hot air is more voluminous than cool air. To facilitate the abstraction of hot air, more air outlets to the stove than inlets are required.

Whether or not you install an auxiliary fan system or ducts, it is mandatory to ensure a free air passage. In France, a minimum inlet of 400cm² and a minimum outlet of 500cm² must be provided for in the walls of the cladding. With configurations "R" and "P" (see section "various configurations"), the space required for both inlet and outlet is provided for in the stove in order to avoid the need for hot air outlets. An additional outlet is only mandatory in configuration "B".

Use the hot air outlets provided for in the stove, taking them into account for the size of the recess (see previous section).

Other regulations to be observed :

air inlet section $\geq 2/3$
air outlet section

These air sections must correspond to the vents opened on the system.

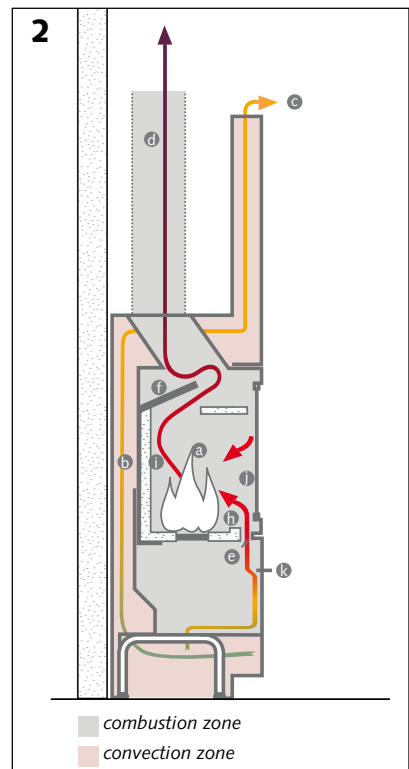
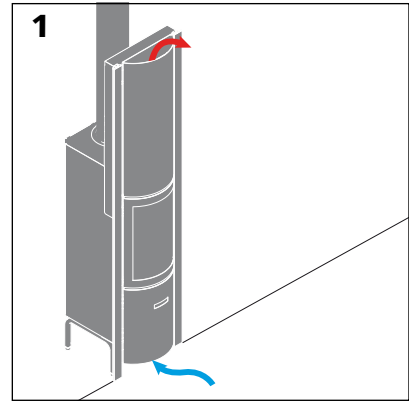
Examples in the table below.

Configuration of the ducts (option)

Whether you install a fan or not, the ducts must rise in a gradual gradient (min 2%) towards the outlet to prevent heat traps.

To ensure balanced air flow, the duct system has to be configured symmetrically (number of ducts, their height, the number of bends, their degree of insulation). This factor is even more important with natural convection than forced convection.

Please note: a fibrous insulating material inserted in the recess can give off volatile particles. In this case, thanks to the ducts, any contact between the convection air and these materials can be avoided.



In practice...

The ducts have a diameter of 150 mm.

The air inlets and outlets have to be set up so they cannot be obstructed.

If you install grills on the air inlets/outlets, ensure that the passage of useful air in these grills (surface of the openings) is at least equivalent to the section of the air inlets/outlets to prevent pressure loss.

The cumulative length of the ducts cannot exceed 6 metres.

air inlet section	air outlet section	$\frac{\text{air inlet section}}{\text{air outlet section}}$	Air inlets and outlets on the system
400 cm ²	500 cm ²	$1 \geq 2/3$ OK	Air inlet through the plinth (front of the system)/outlet included in the stove for configurations P and R.
400 cm ²	640 cm ²	$1/2 < 2/3$	
400 cm ²	500 cm ²	$2/3 \geq 2/3$ OK	Air inlet through the plinth (front of the system)/outlet included in the stove in configuration B + duct.

Please note!

The fans supplied by Stûv are designed to direct room air and not to be installed in the hot air circuit at the stove's outlet.

2 ways of creating an air circuit:

- install ducts in the stove's inlet to draw in room air distant from the stove [diagram 1] or even from another room in the house. For this configuration, it is imperative to use a fan in a water-tight case
- install the ducts in the stove's outlet to carry hot air further (max. 3 m) even to an adjacent room [diagram 2].

In tthe both cases, a circulation of air is created: The air reheated by the stove moves towards the areas from where the room air was drawn (depression zone), ensuring a constant temperature.

Whatever the air circuit planned around the stove, please note the local and national regulations in force for this kind of installation.

Air return

If you plan to have a room air inlet or outlet in another room (distribution across several rooms), do not forget to create air passages of sufficient section (at least the same) for the return: The air which has been drawn from or directed to a room must be able to return there.

The abstraction of air must be offset by a return to prevent depressions in the room where the stove is situated as this involves the risk of draughtback.

The advantages and disadvantages of these 2 types of installation

Inlet ducts [diagram 1]	Outlet ducts [diagram 2]
+ excess pressure close to the system (encourages the drawing of air)	- depression near the stove that risks affecting the drawing of air
+ bends can be used in the ducts, reverse gradient,... (no air stagnation)	- geometry of the layout restricted: the ducts must always rise in a slight gradient without any obstructions in the route to prevent the hot air from stagnating.
+ no variation in room air temperature on its route which means it can be obtained from further away with better direction and greater temperature consistency in the room.	- significant drop in the air temperature along its route (maximum 3 m).
- difficult to implement if not planned in the architecture.	+ easier to implement if not planned for in the architecture or in the case of renovation

In practice...

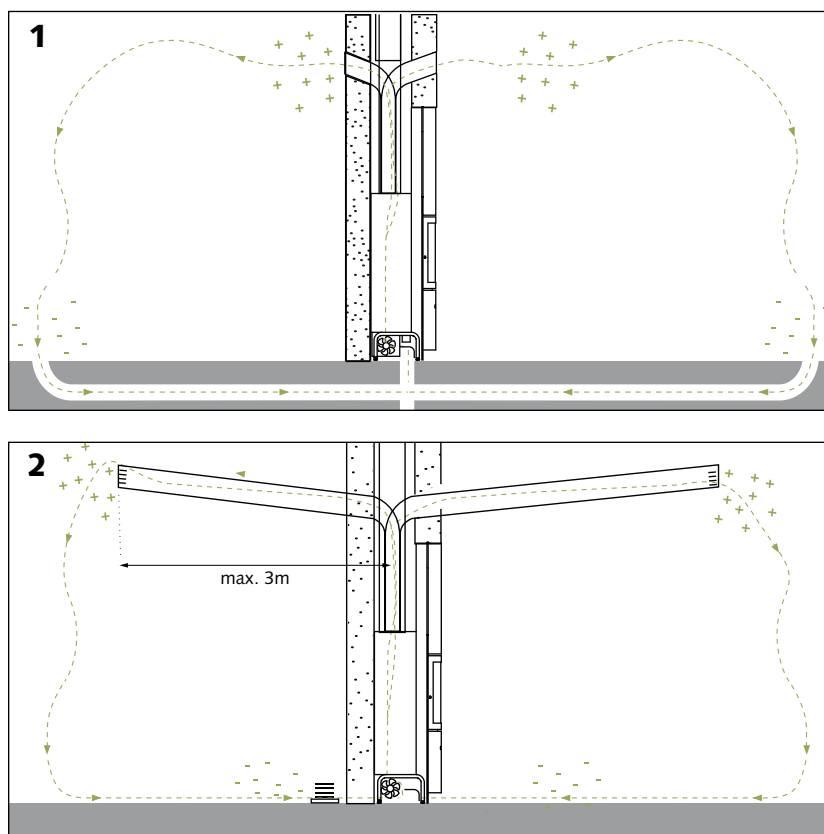
The use of ducts is mandatory to ensure the air which comes out of the stove does not go straight back into the fan (short circuit - the inside of the cladding).

Setting up the power supply (2 conductors + ground)w; the connection has to be protected by a bipolar fuse.

Please also see the notes in the previous section.

Please note

To prevent the fan from affecting combustion, do not put the combustion air inlet and the convection air inlet too close to one another.



Safety

Take the necessary precautions to prevent excessive heating of the recess walls and construction materials close to the stove (e.g. wooden beams) and insulate these materials according to industry regulations and the applicable standards depending on their flammability.

If you insulate the recess, it is essential to cover the full height of it.

The dimensions given for the recess indicate the space required to fit the stove.

Add the thickness of the insulation if necessary (see diagrams 1 and 2).

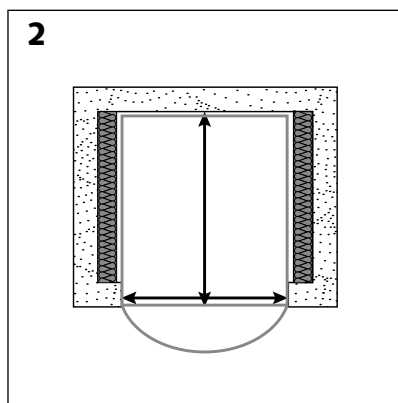
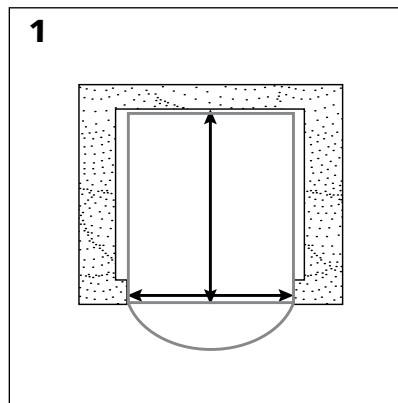
Improvement of performance

Thermal insulating materials can also be placed against the stove to improve its performance.

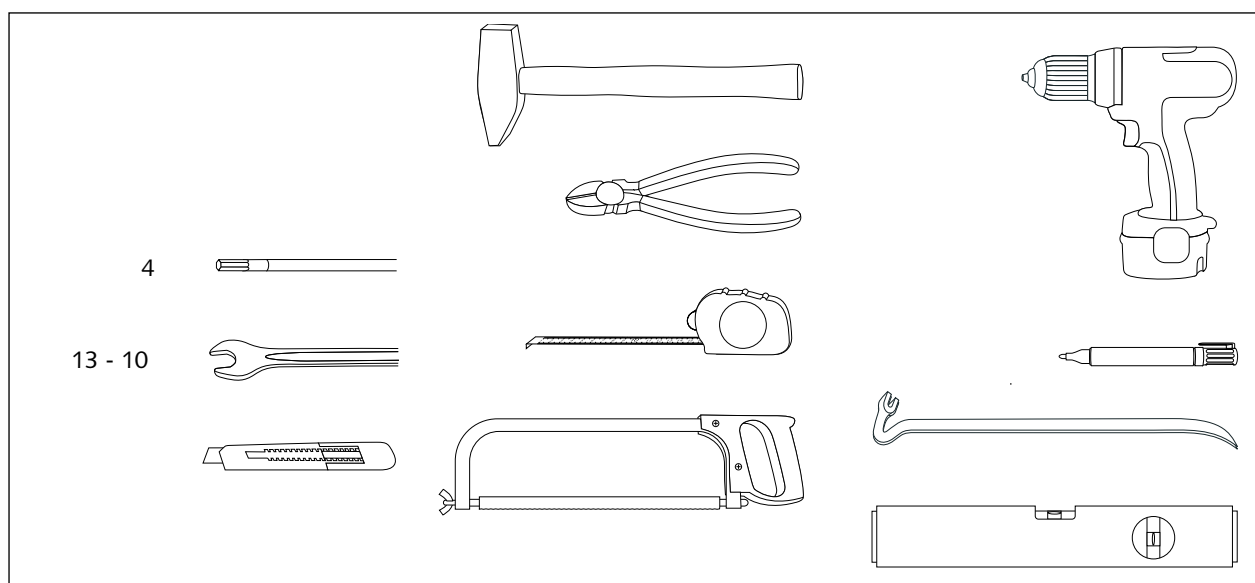
They are not designed to protect inflammable materials from excessive heating.

The advantage: reduction of heat loss: this applies in particular if the stove is against an external wall; if this is not the case, heat will not be lost: it will dissipate into the brickwork and then into adjacent rooms;

The disadvantage: a watertight recess has to be built and ducts installed for the convection circuit to prevent insulation particles from being suspended in the convection air or in the room where the stove is installed.

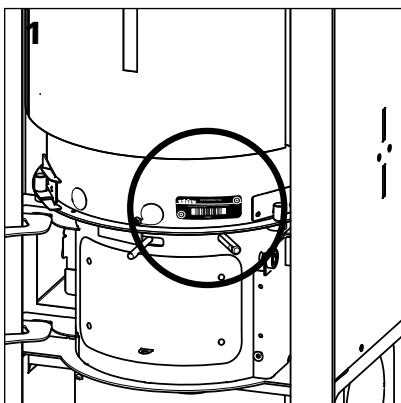


Tools



INSTALLATION

On taking delivery of the equipment



Please note!

Upon receipt of this stove, please ensure that the glass door has not been damaged during delivery. The guarantee only covers damage due to transport if it is reported within 48 hours of delivery and it is indicated on the delivery slip.

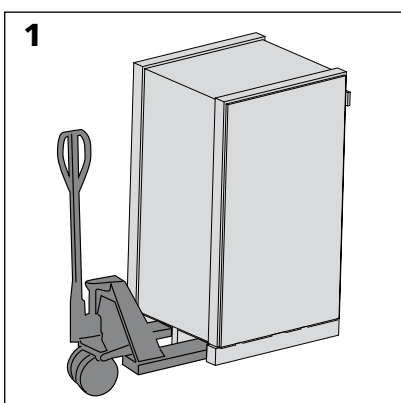
Accessories

If accessories have been ordered, they can be found around the stove or its packaging. Check receipt of these.

Complaints

If you wish to make a complaint, always quote the serial number visible on the stove in the closed-door position [diagram 1].

On taking delivery of the equipment

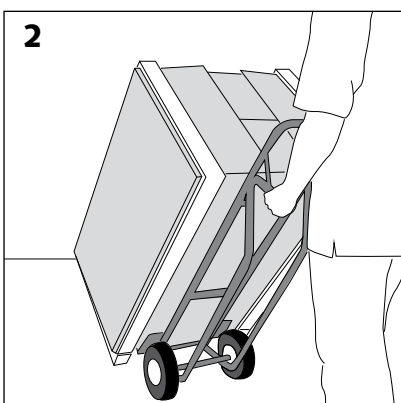


Please note!

The paint is not oven baked and is therefore relatively fragile but will harden after being heated a few times. Handle the system with care when installing.

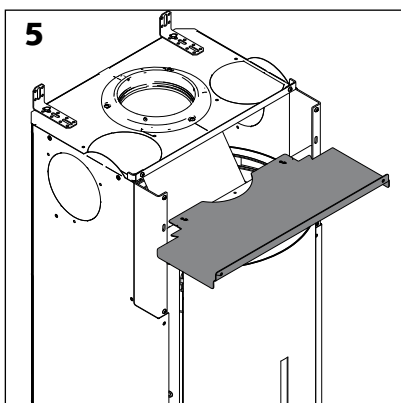
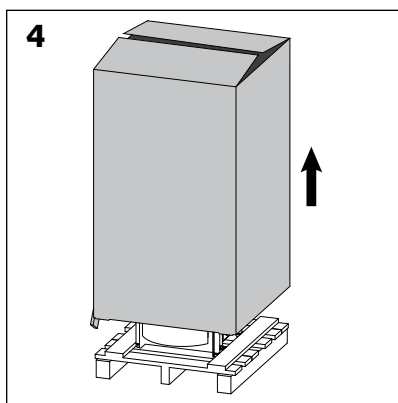
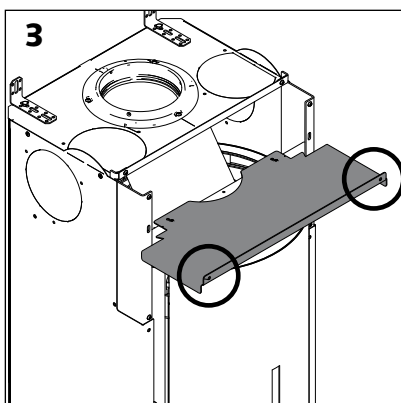
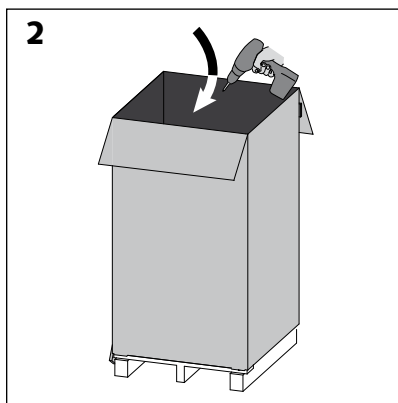
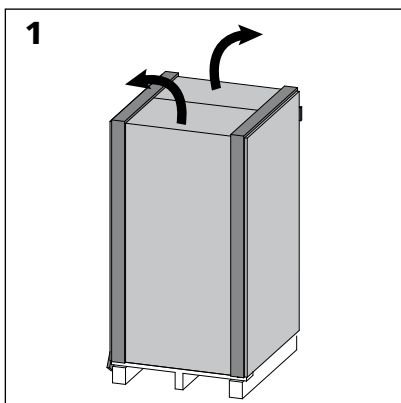
Moving

While the stove is still packaged, you can use a pallet loader [diagram 1] or a hand-lift truck [diagram 2]. If you use a hand-lift truck, ensure you position the stove on the side indicated (read the instructions printed on the packaging carefully). Move it close to its final position.



If you are unable to transport the stove on its pallet to its final position, please observe the following unpacking instructions.

Unpacking



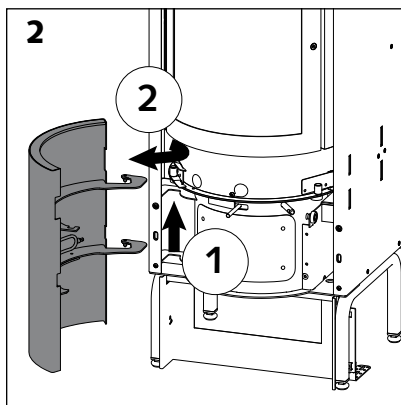
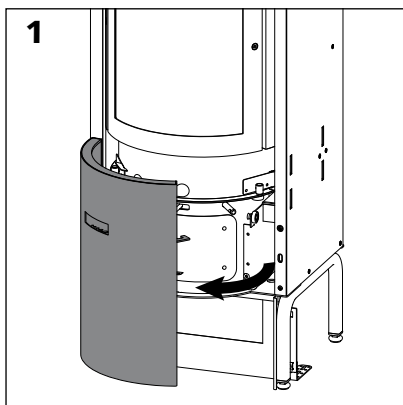
Open the packaging at the top [diagram 1].

Using a screw gun, remove the hand-lift truck support from the packaging [diagrams 2 & 3].

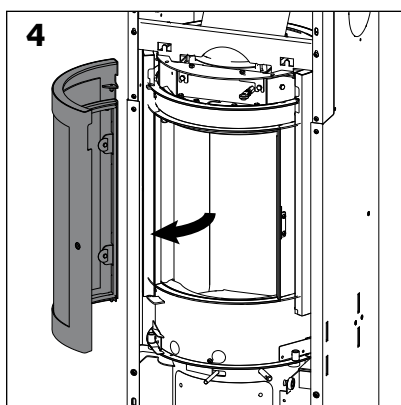
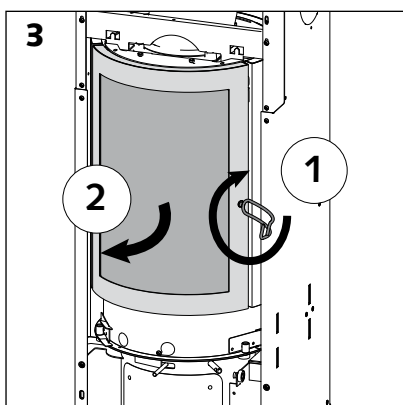
Remove the cardboard packaging [diagram 4] and the plastic films at the top and bottom of the stove which hold the mobile parts in place during transport

Note! The hand-lift truck protection [diagram 5] supports the stove during handling to avoid putting pressure on the doors or the drum. It is later removed when the stove is moved into its final position.

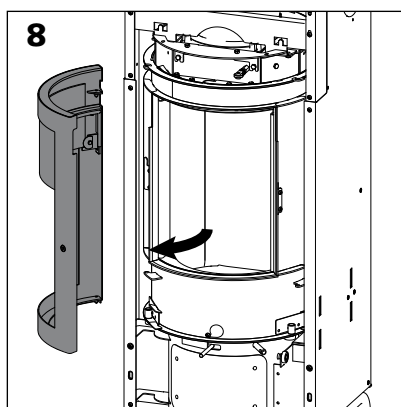
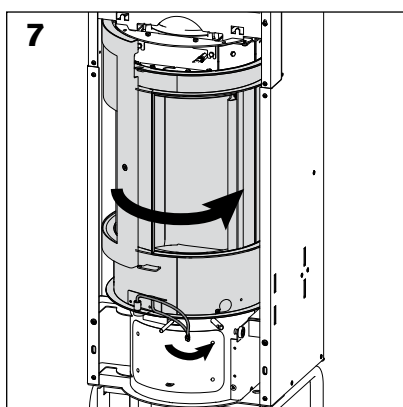
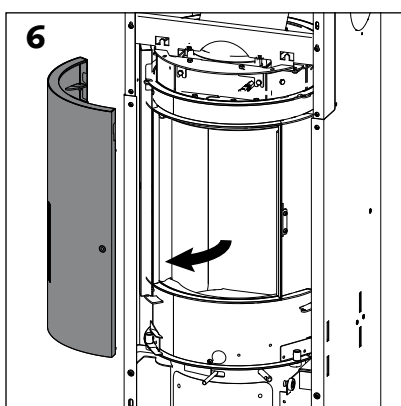
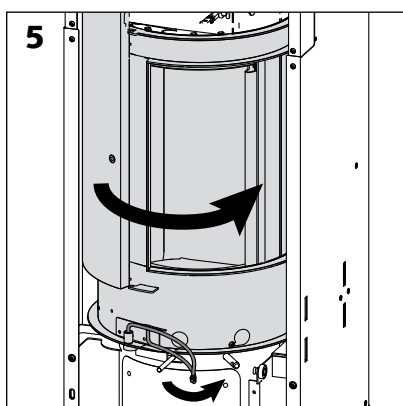
Removing the exterior parts of the stove

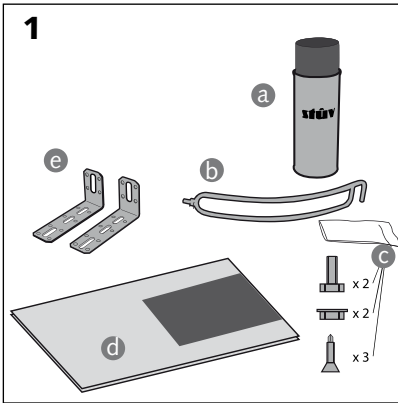


> **Remove the ash pan:**
open the ash pan door [diagram 1]
and take it out by lifting it off its
hinges [diagram 2].



> **Remove the doors:** Gently half-
open them, lift them to take them off
their hinges and then remove them
[diagrams 3 to 8]. Put them down
carefully to avoid scratching.

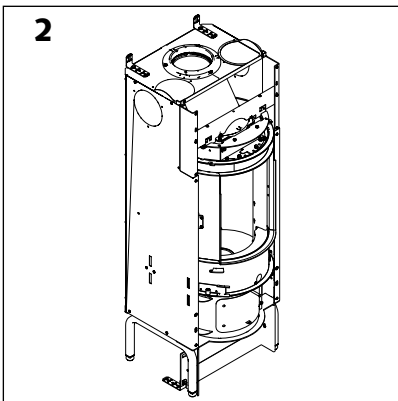




Checking the contents of the combustion chamber [diagram 1]

You will find:

- spray paint for touching up [diagram 1/a]
- cold grip to handle the door and the valve [diagram 1/b]
- 1 fitting kit [diagram 1c]
- Instructions [diagram 1d]
- fixing corner irons [diagram 1e]



Note!

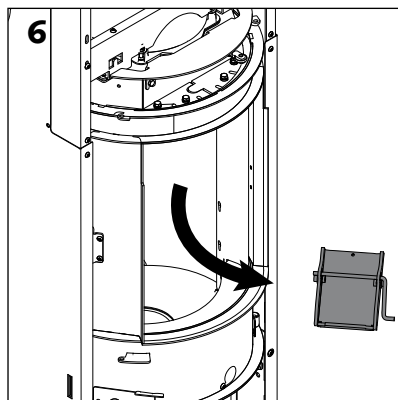
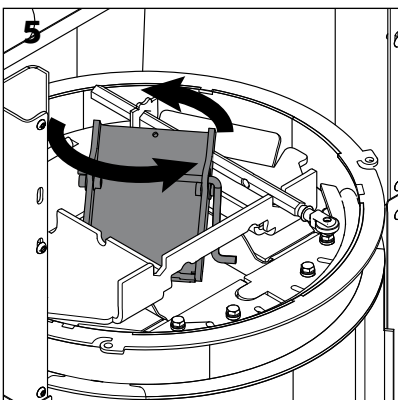
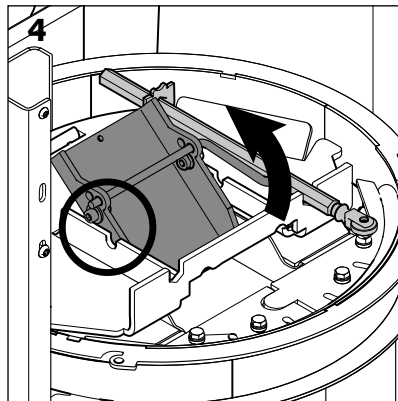
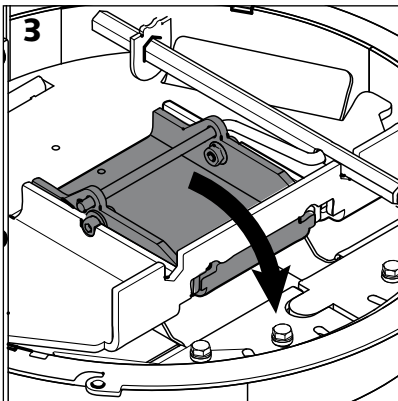
When you handle symmetrical parts while dismantling, remember to take note of which are the left parts and which are the right ones! It will make re-assembly easier.

Removal of the following parts

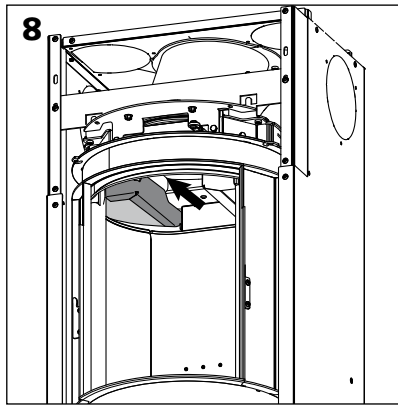
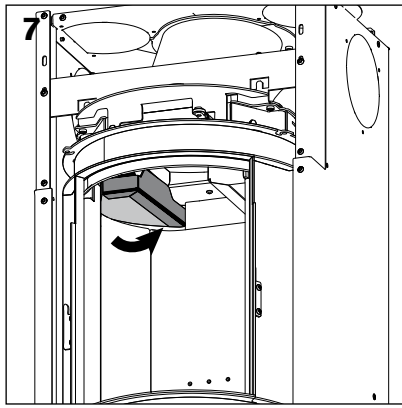
> the smoke deflector:

the smoke deflector has been locked down to prevent damage during transport.

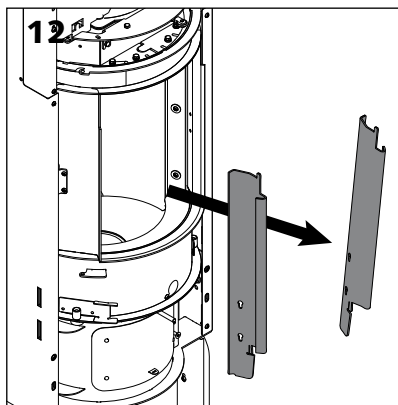
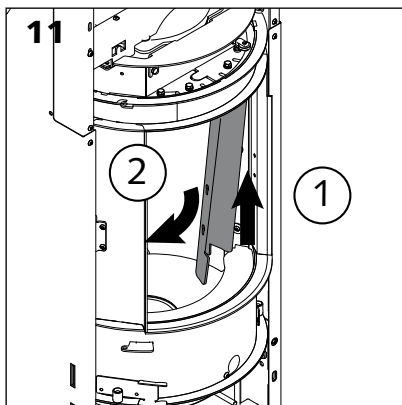
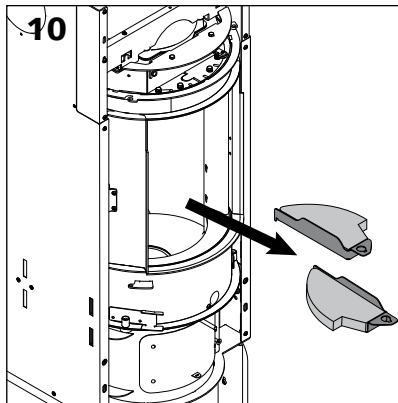
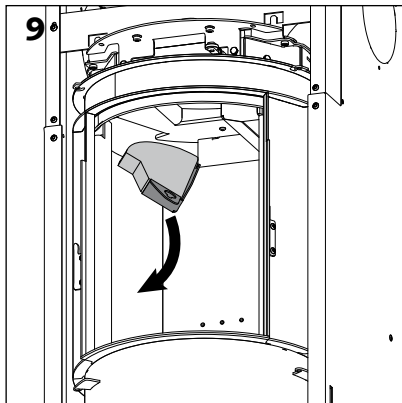
Tilt and gently slide the smoke deflector towards the back [diagrams 3 and 4]. Turn it clockwise to release the deflector and its control [diagram 5]. Let the deflector drop down [diagram 6].



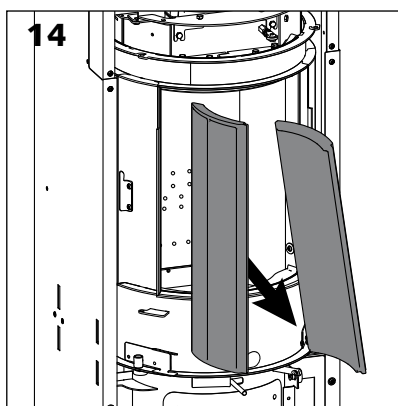
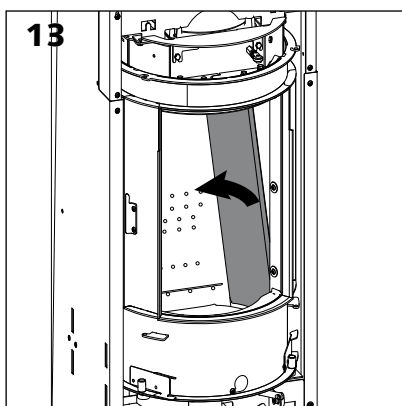
Unpacking the interior parts of the stove (continued)



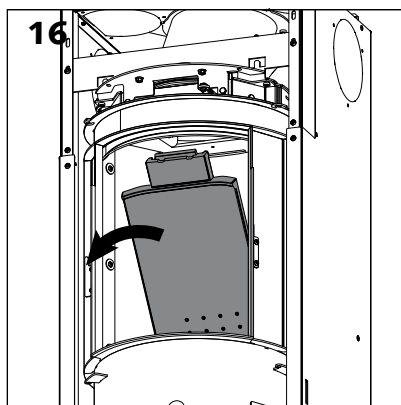
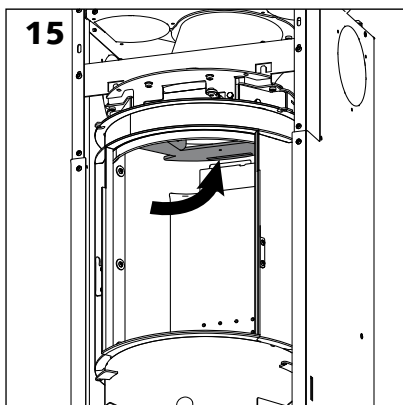
> **the 2 vermiculite deflectors**: lift up the stainless steel support [diagram 7] and slide it forwards [diagram 8] then let the part drop to remove it [diagram 9].



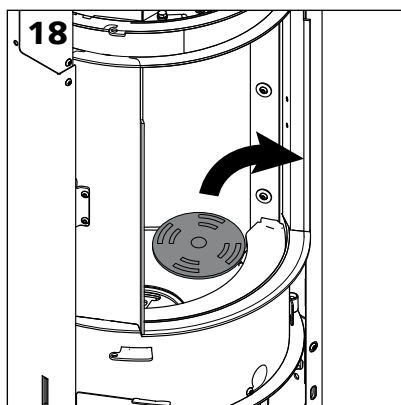
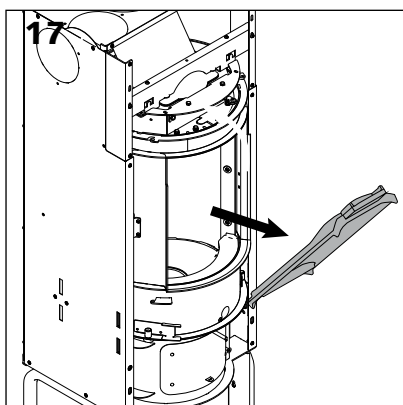
> **the lateral holders**: before removing the lateral holders, first remove the lateral keys: lift them up and bring the bottom of the parts forward [diagrams 11 and 12].



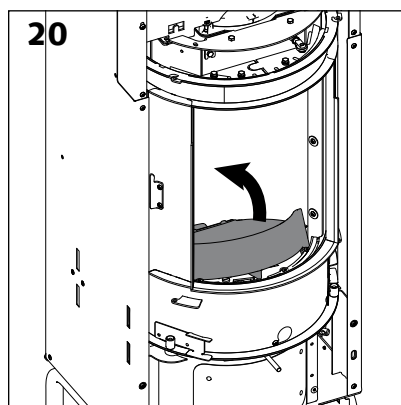
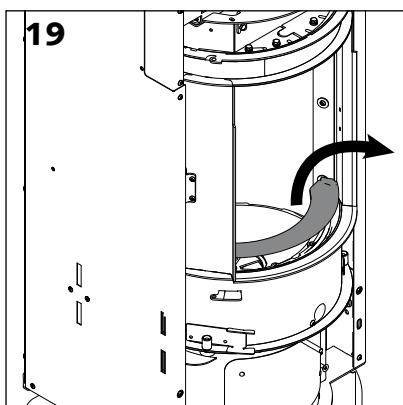
To remove the lateral holders; slide them to the back, [diagram 13], tilt them and take them out [diagram 14].



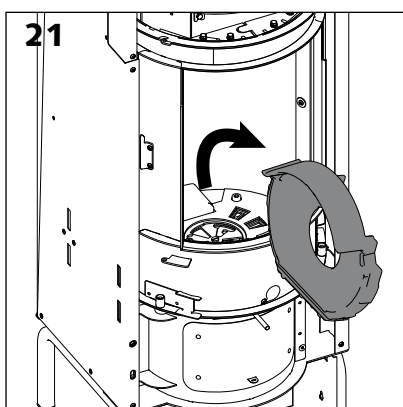
> **the back holder:** pull the back holder forwards [diagram 15]. Tilt it towards the stove opening [diagram 17].



> **the ash grille** [diagram 18].

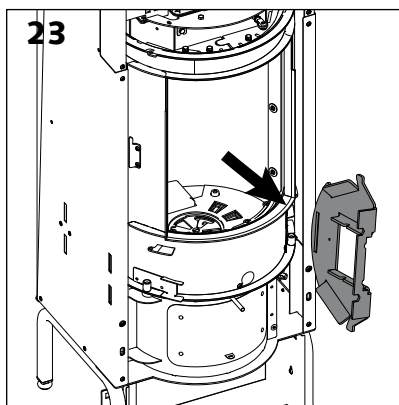
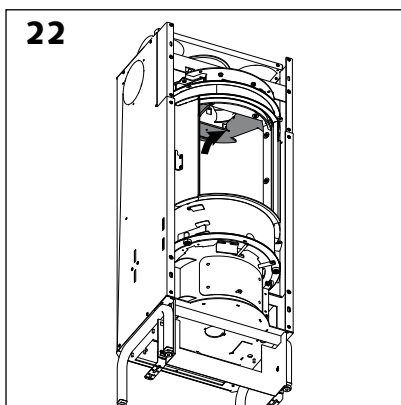


> **the lower protection strut** [diagram 19].



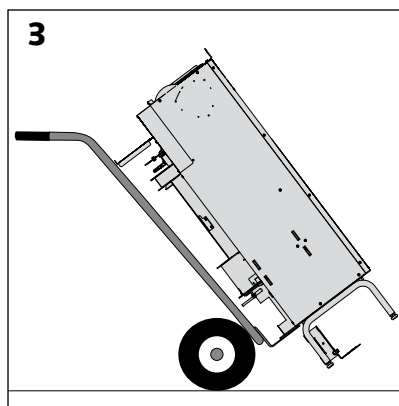
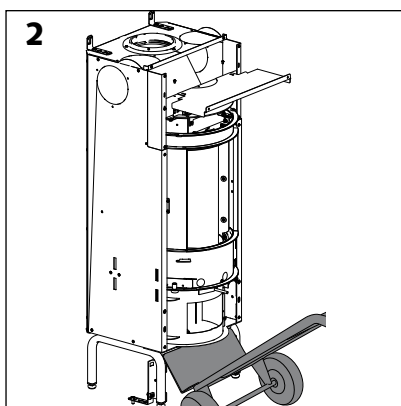
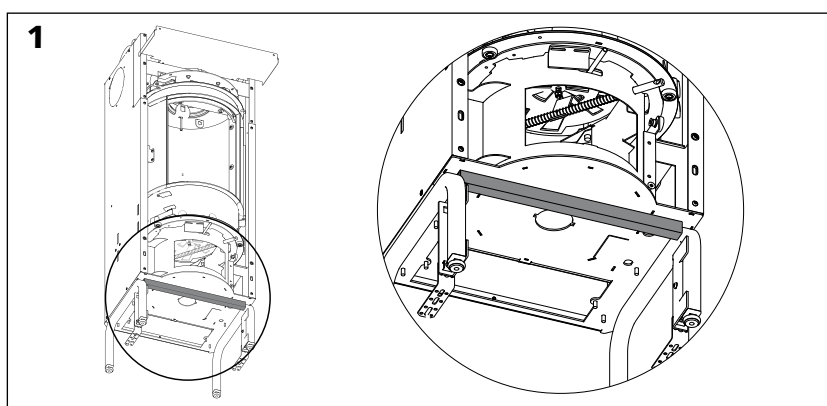
> **the stove hearth holder:** lift it up and tilt it by 90° [diagrams 20 and 21].

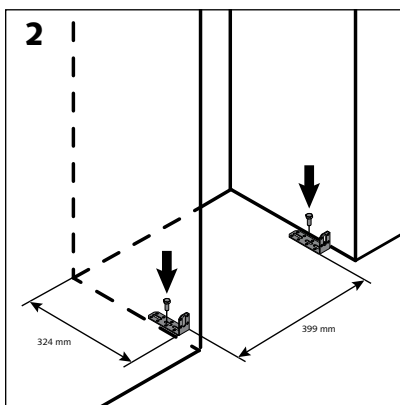
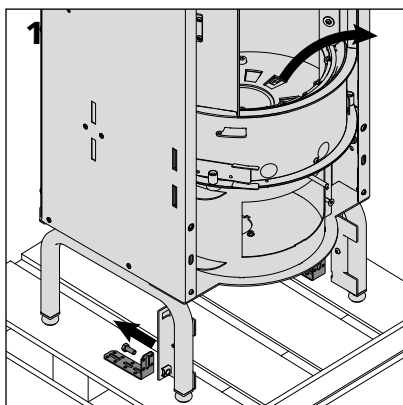
Unpacking the interior parts of the stove (continued)



> the smoke deflector cradle
[diagram 22 to 23].

Positioning of the hand-lift truck





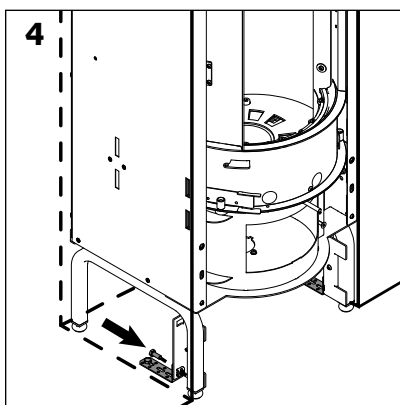
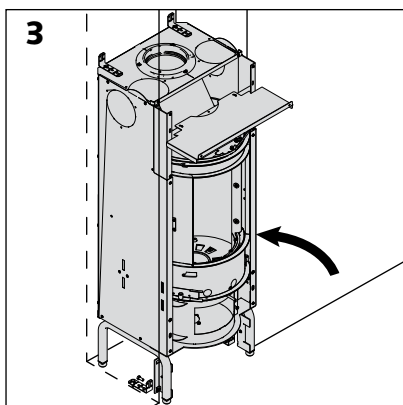
The recess

Check the dimensions of the recess [see section on stove's surroundings and decoration].

Position of the stove in relation to the wall.

Fixing of the stove

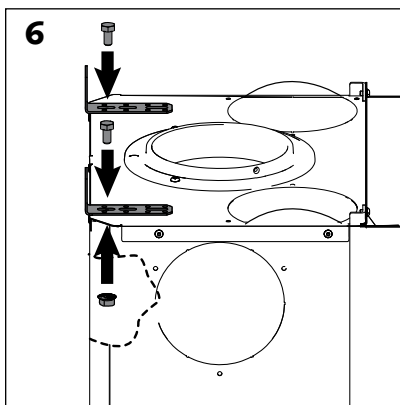
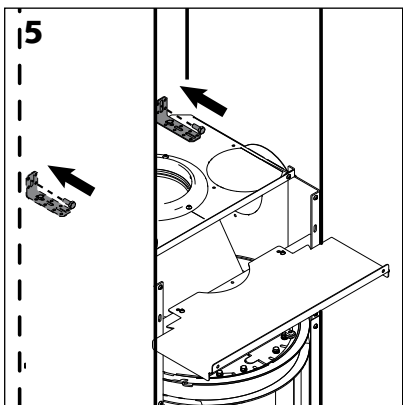
It is essential that it is fixed to the ground and back wall.



Remove the fixing corner irons from the pallet [diagram 1]. These corner irons will be used later to attach the stove to the ground.

Screw (without tightening) the 2 corner irons to the ground [diagram 2].

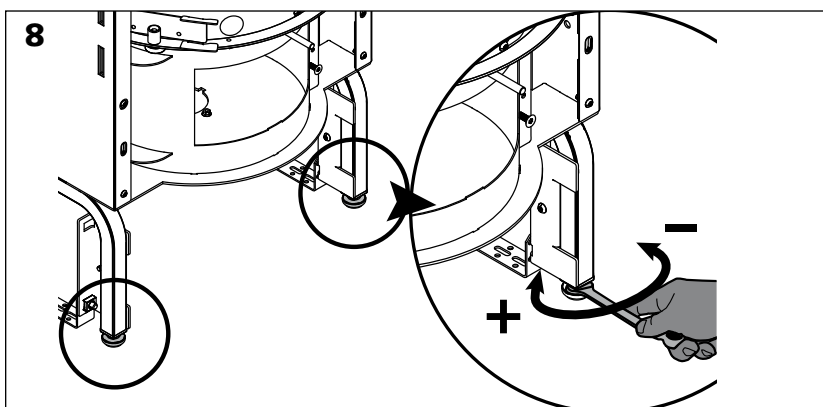
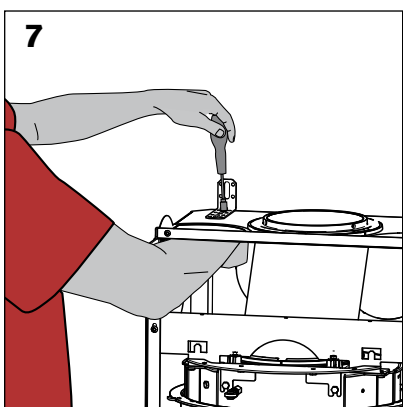
Position the stove; attach the 2 corner irons to the front feet of the stove [diagrams 3 and 4].



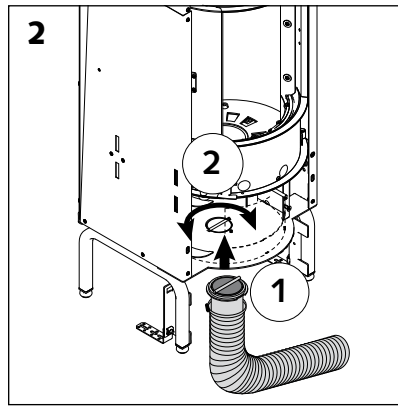
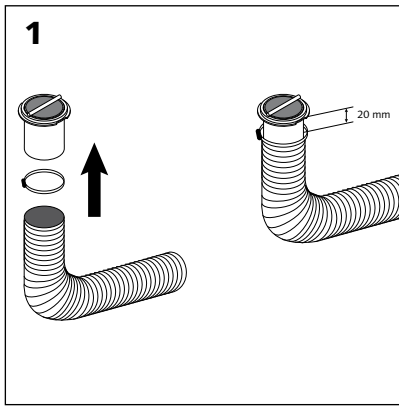
Attach the 2 corner irons to the back wall but do not tighten yet [diagrams 5 to 7].

Adjust the feet to bring the stove to the right level. Use the size 13 key [diagram 8].

Tighten the 4 corner irons.



Connection with outside air



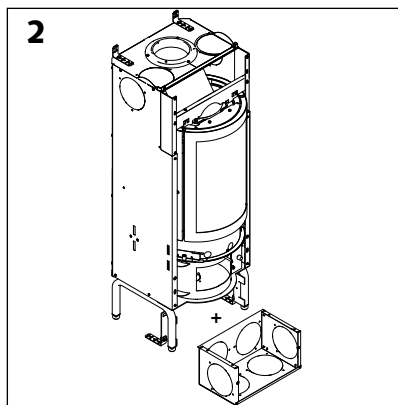
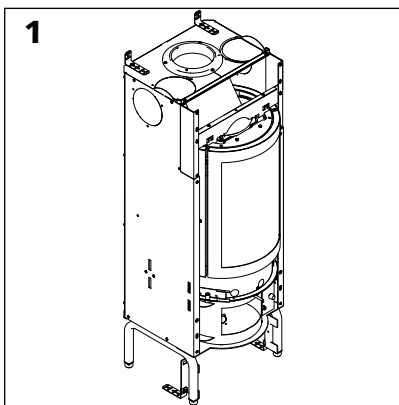
If you are not connecting your stove to the outside air, go to the next section.

Attach the duct with its tightening ring to the air inlet duct.

Leave 20 mm of play [diagram 1].

Insert the whole unit from underneath the stove. Attach the connection by tilting the system by several mm [diagram 2].

Convection



Natural convection :

- just stove [diagram 1]
- stove + air case [diagram 2]

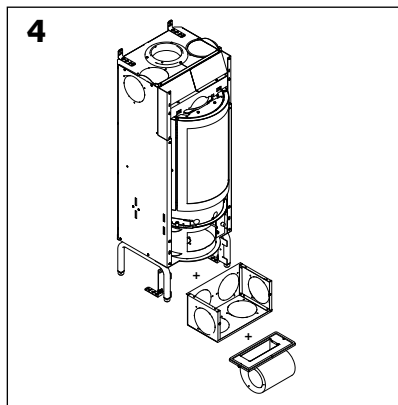
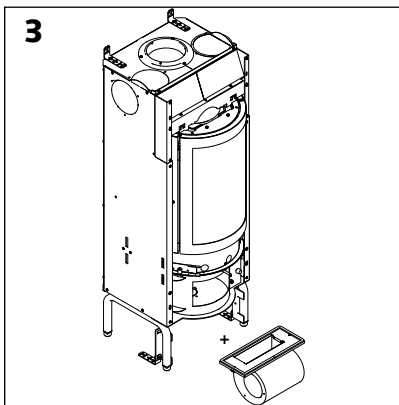
Forced convection (with fan) :

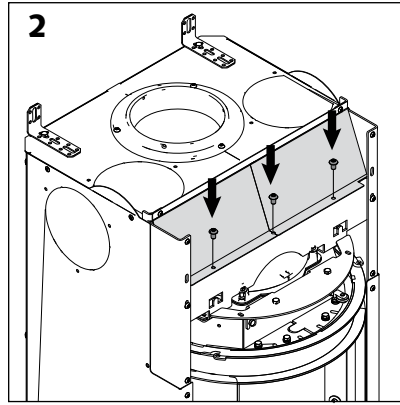
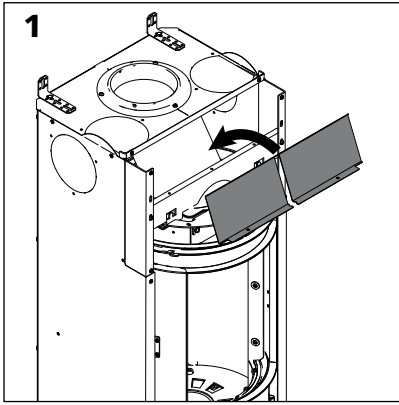
Forced convection is recommended if the ceiling is over 2.40 m.

- stove + fan [diagram 3]
- stove + fan + air case [diagram 4]

Please note :

- All types of convection cause air to circulate and therefore also dust. Use washable coatings close to hot air outlets.
- In configuration "B", 2 hot air outlet ducts with a diameter of 150 mm are recommended. If national regulations permit, use non-combustible materials for the ceiling.





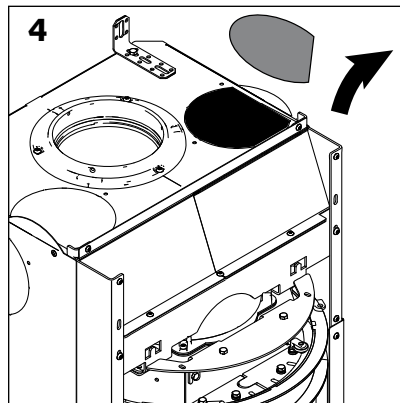
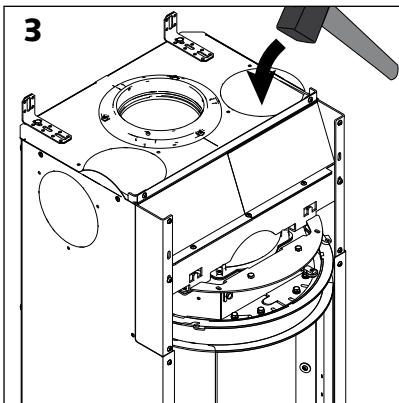
Installation of directed convection

Using the 3 M6 screws; put the air outlet filling plates into place [diagrams 1 & 2]

Remove the hot air outlet(s). Do not drop the cappings inside the walls [diagrams 3 & 4].

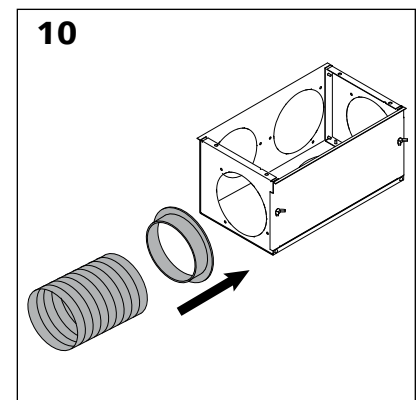
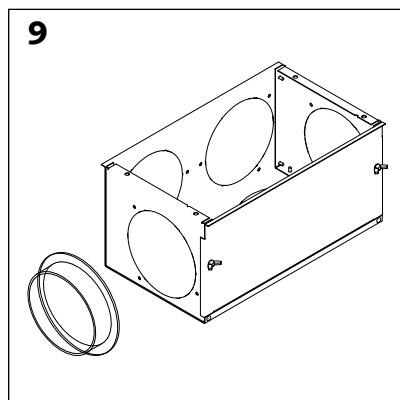
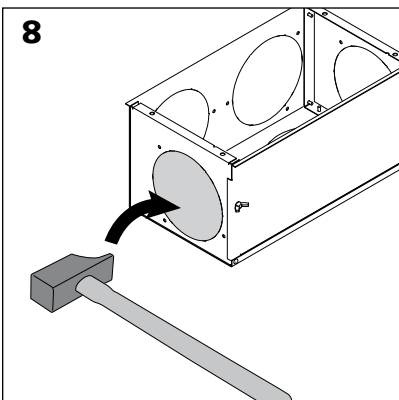
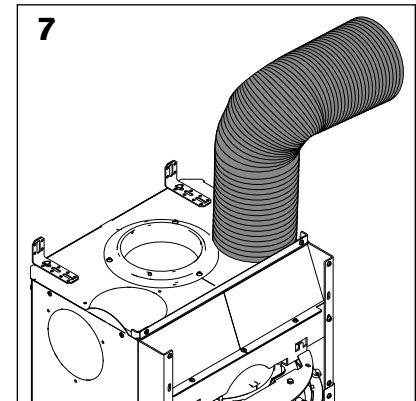
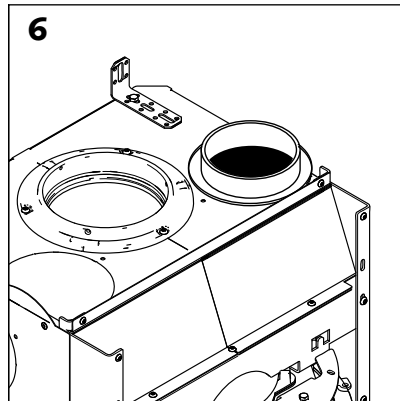
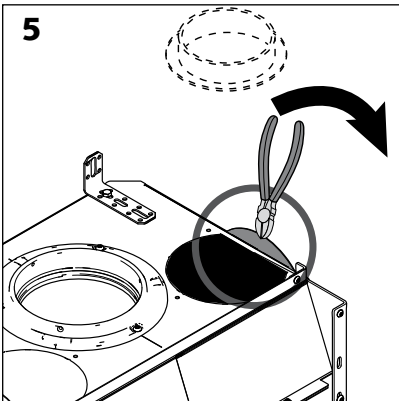
Unfold the duct supports [diagram 5].

Install the various hot air outlets [diagrams 6 & 7].

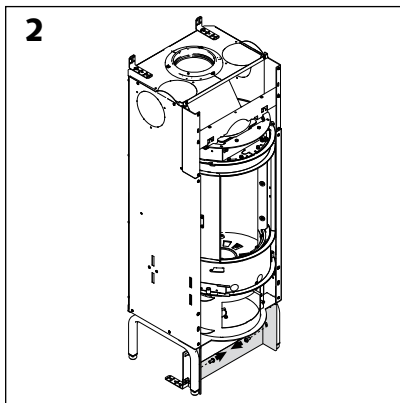
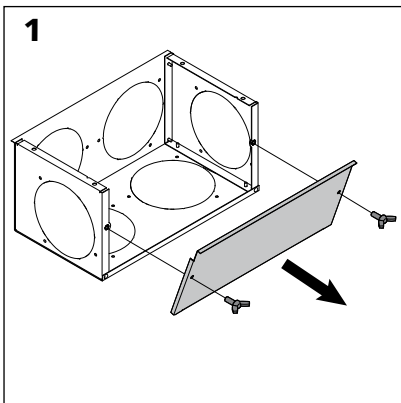


For the inlets:

Remove the cappings and attach them to the air case [diagrams 8 to 10].

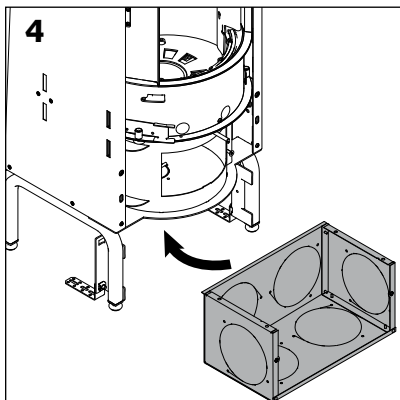
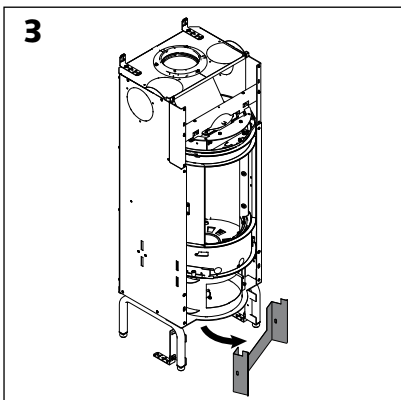


Installation of the air case (optional)

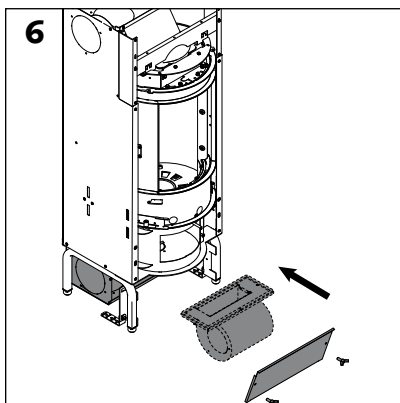
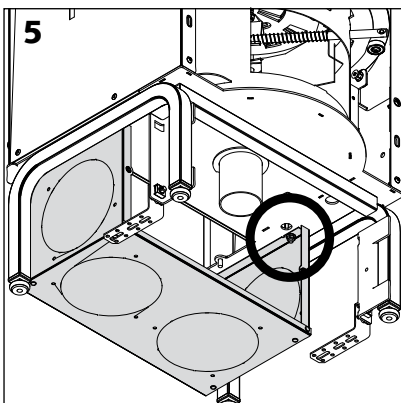


Remove the plate in front of the air case [diagram 1].

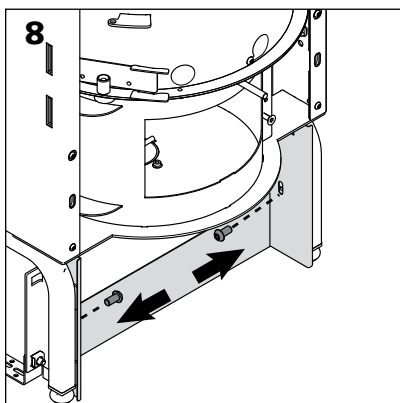
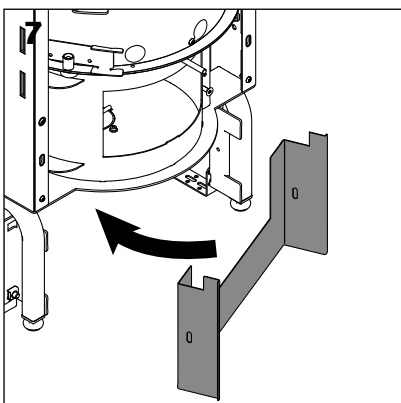
Remove the plinth from the stove [diagrams 2 and 3]. Unscrew it and bend slightly to remove it.



Slide and attach the air case underneath the stove using the 4 nuts [diagrams 4 and 5].

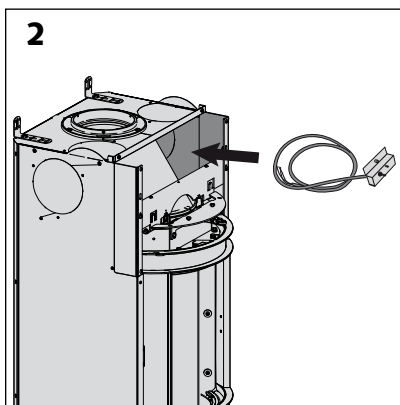
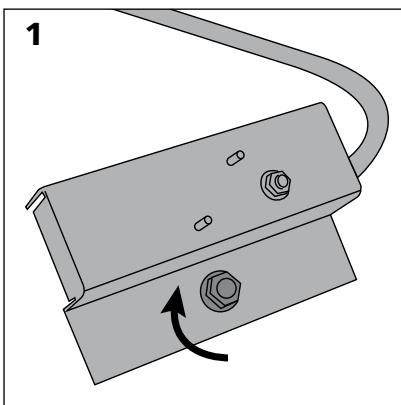


Reclose the air case, possibly with the fan [diagram 6].



Reattach the plinth [diagrams 7 and 8].

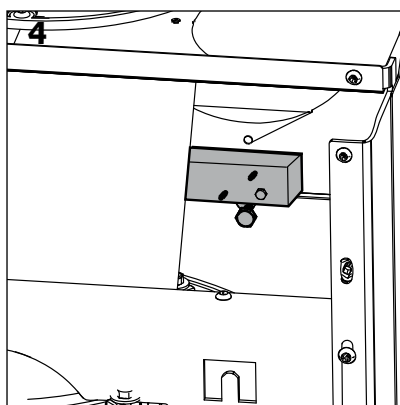
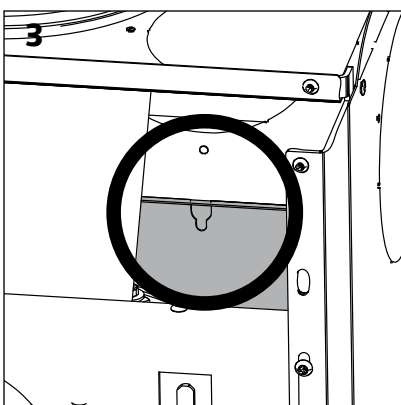
Installation of the thermal switch (optional)



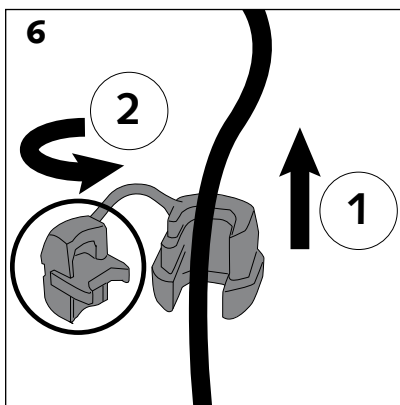
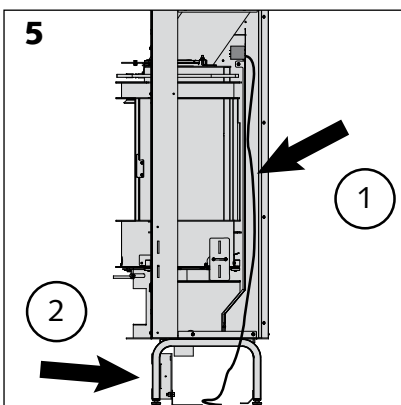
Ensure the fan has not yet been put into place.

Pre-tighten the nut [diagram 1].

Position the plate in the stove through the convection outlet [diagram 2].

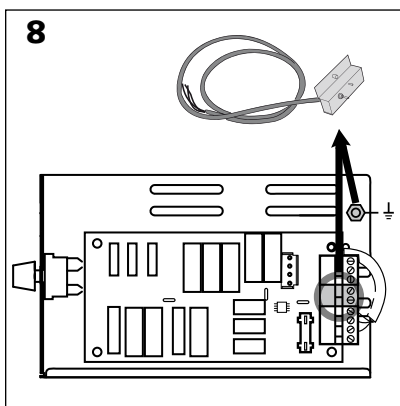
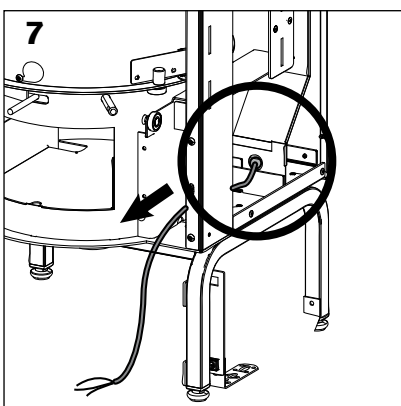


Install the plate by passing it through the hole provided and tighten the nut [diagrams 3 and 4].



Drop the cable behind the sheet metal and take hold of it from the bottom.

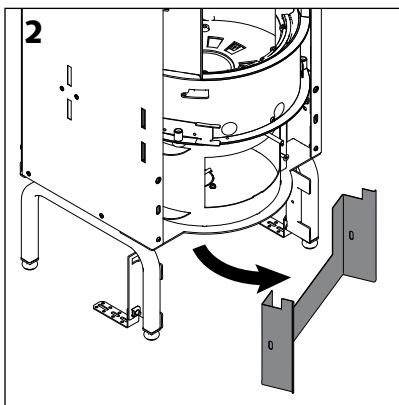
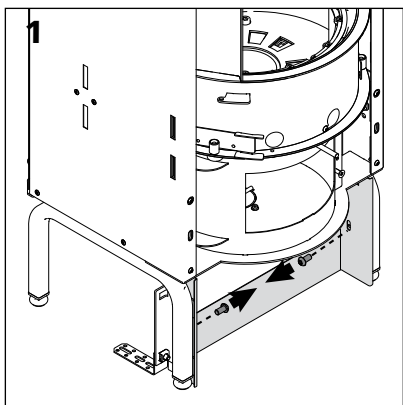
Pass it through the hole at the bottom of the stove on the right (in the space beside the ash pan) [diagram 5].



Tighten the cable; clip the white cable guide around the cable to ensure it does not come into contact with the fan [diagrams 6 and 7].

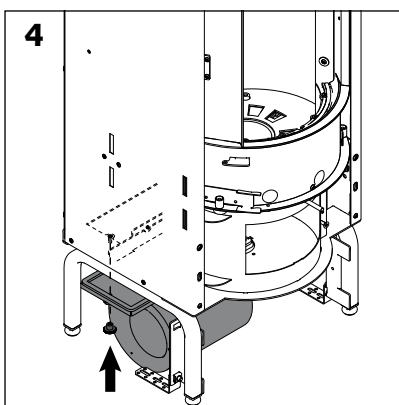
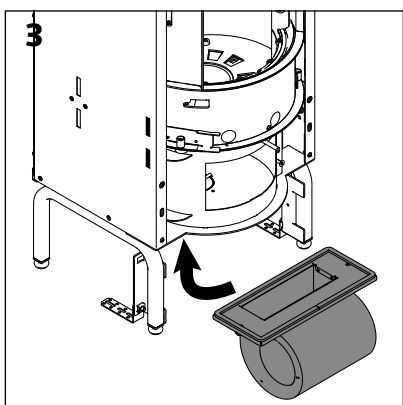
Attach the cable to the electronic board (including the earth) [diagram 8].

Auxiliary ventilation

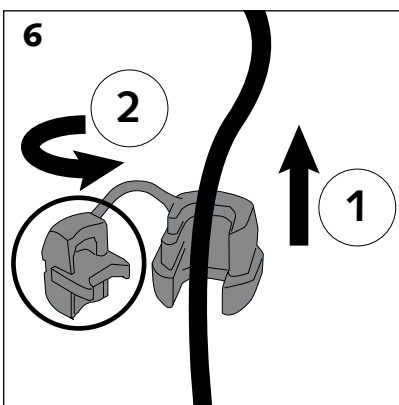
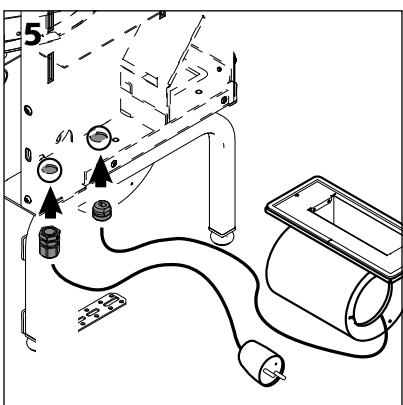


Important : avoid exceeding 2 metres of ducting for optimal efficiency of your stove with a fan with a hot air outlet on the upper part.

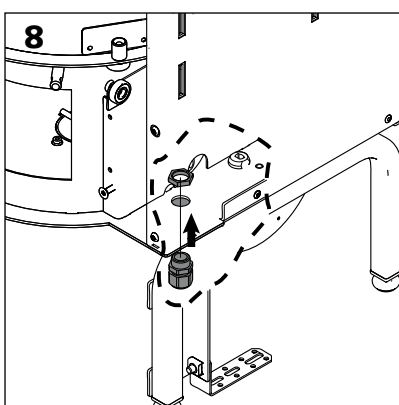
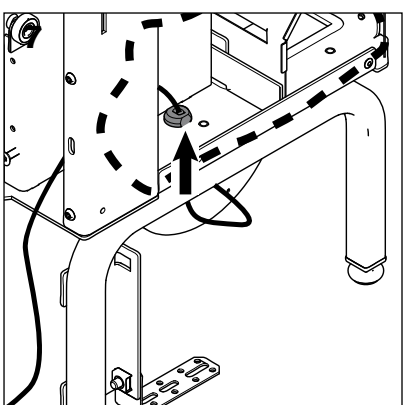
Unscrew and remove the stove's plinth [diagrams 1 and 2].



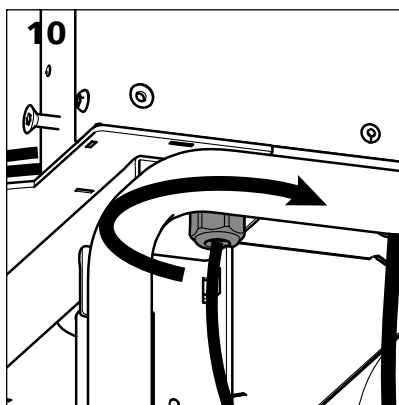
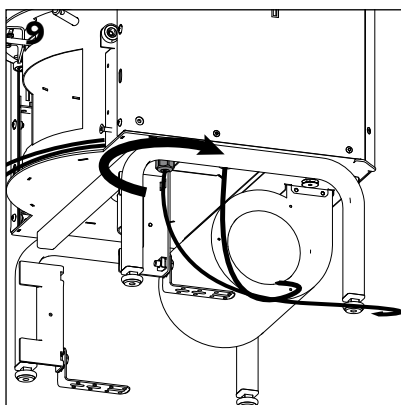
Slide the fan under the stove [diagram 3]. Attach it [diagram 4].



Feed through the fan cable (hole at back), tighten it and attach the plastic clip. Insert the clip at the bottom and lock into place [diagrams 6 and 7].



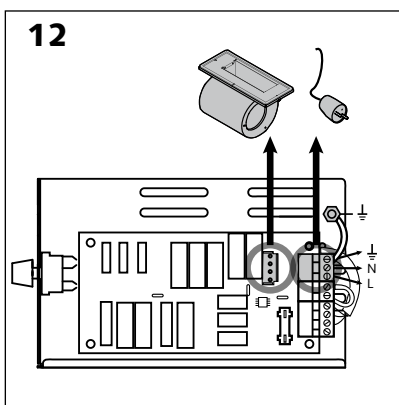
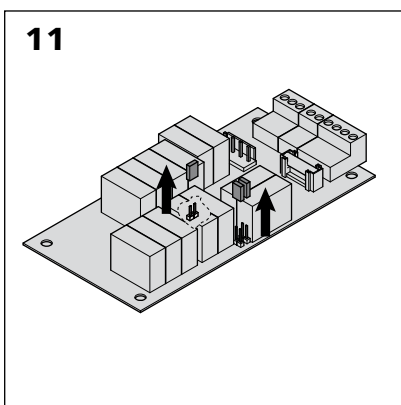
Put the black plastic clip into position. Attach it. Feed the cable through and tighten it. Screw the lower part of the clip to firmly fasten the cable [diagrams 8 to 10].



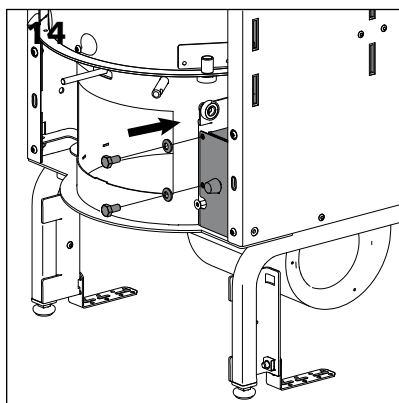
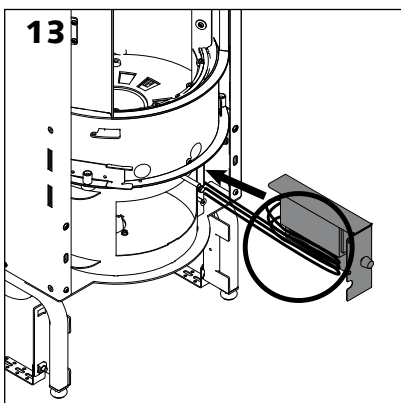
Install the front cable guide (nut above and black part below). Feed through power cable (hole at back) 3G 2.5 (it is not supplied with the stove) and tighten it.

Screw in the plastic part [diagram 10].

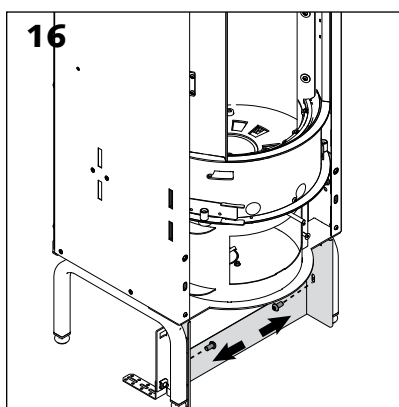
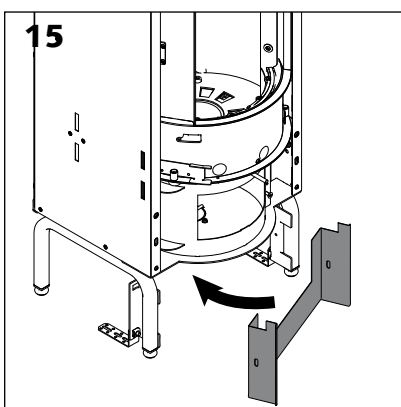
Remove the 3 jumpers from the electronic board [diagram 11].



Connect the fan and the electrical supply to the electronic plate [diagram 12].

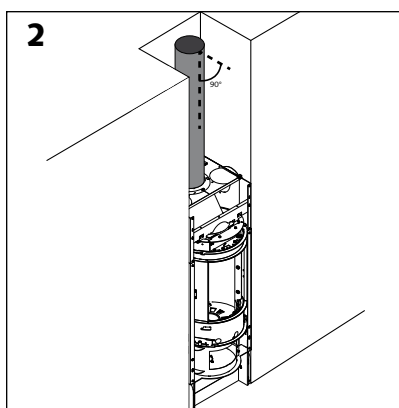
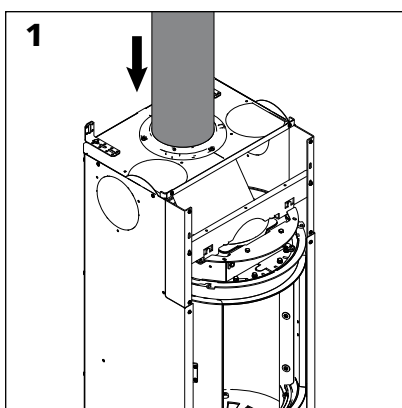


Position the cables in the space reserved under the electronic plate. Fix the electronic plate into its final position [diagrams 13 and 14].



Replace and attach the plinth under the stove [diagrams 15 and 16].

Connection to the smoke flue

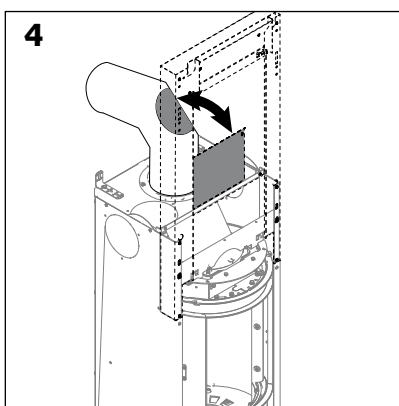
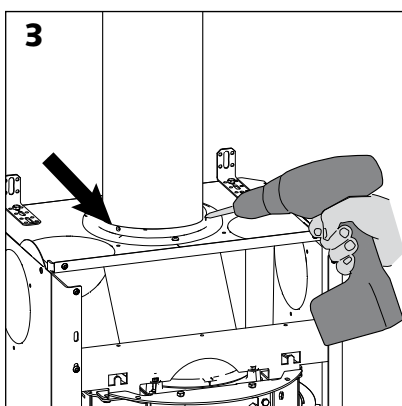


In the case of a connection duct for just one room, leave a gap of 2 mm/m lengthways to allow for expansion.

Insert the duct and check the verticality [diagrams 1 and 2].

Attach the duct to the stove [diagram 3].

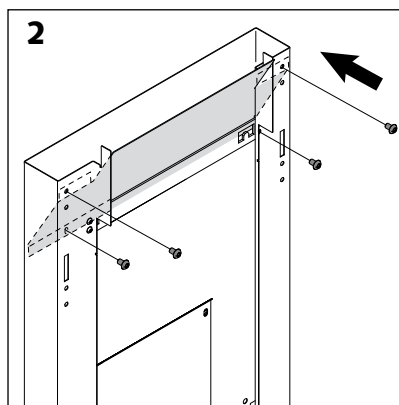
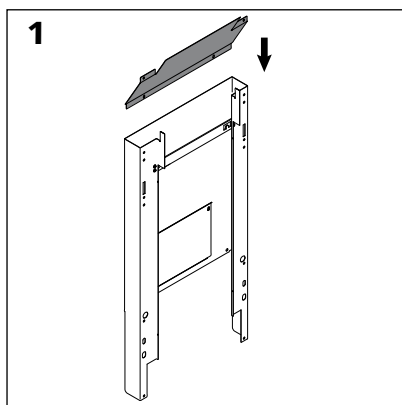
If connecting at the back, ensure that the elbowed duct has a flap opposite the access provided in the front piece support [diagram 4].



Installation of finishing pieces (uprights, extension): 3 possible configurations

Fitted in a recess: configuration "B"

For configuration "R", go directly to page 33, for configuration "P", go to page 36.

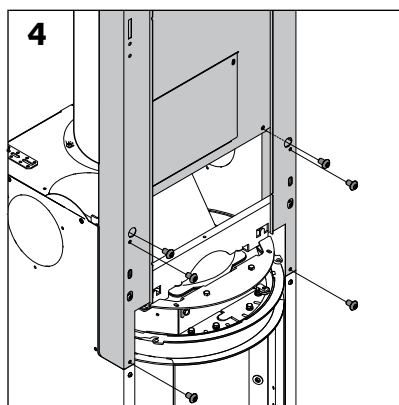
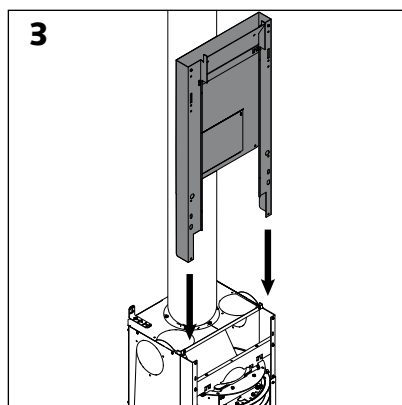


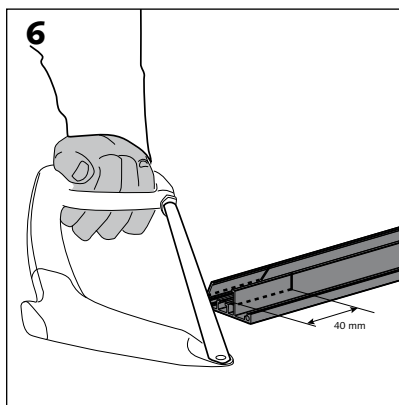
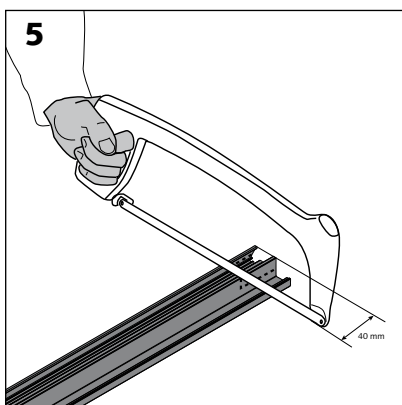
3 stages:

Positioning of the front piece support

– Insert the hot air deviator plate and tighten the 2 upper screws on the front part of the front piece and the two lower screws on the back part [diagrams 1 and 2].

– Using the size 4 Allen key, attach the front piece support to the stove, 6 screws [diagrams 3 and 4].





Positioning of the uprights

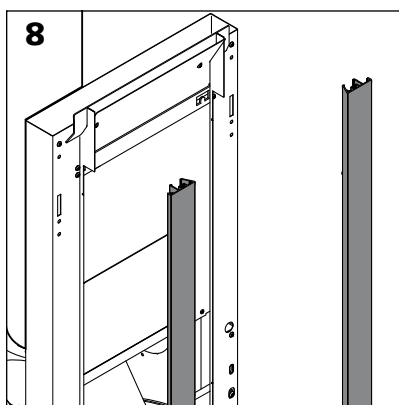
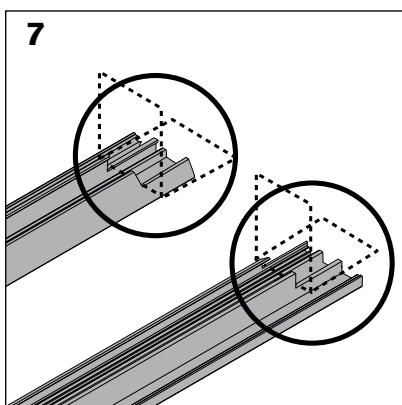
The uprights have to be cut.

Please note : they are asymmetrical, ensure you cut the upper part.

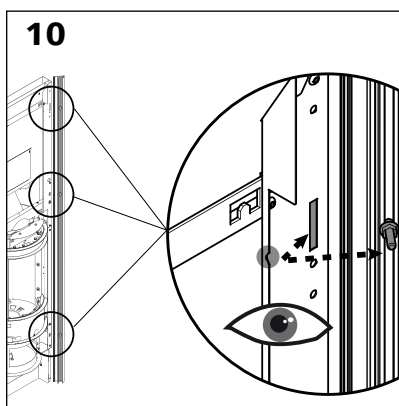
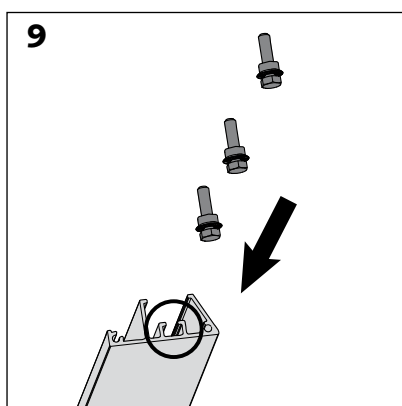
Please note that these have to be adjusted.

Cut the back part of the section by 4 cm in order to penetrate into the recess.

Follow the instructions set out in diagrams 5, 6 and 7.

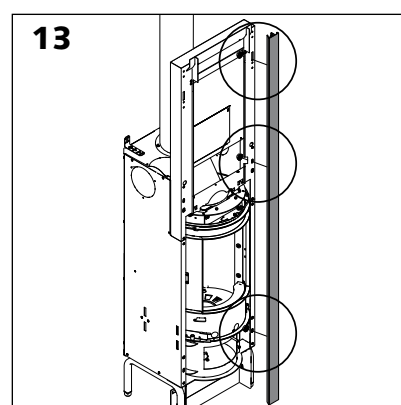
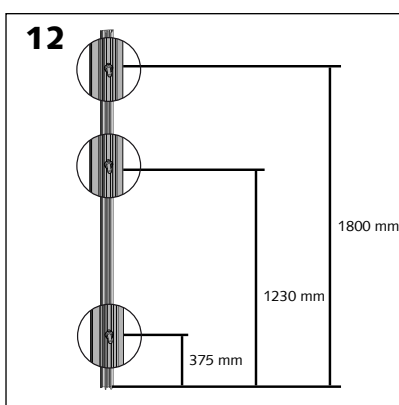
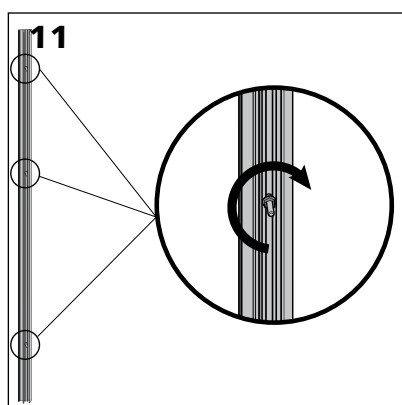


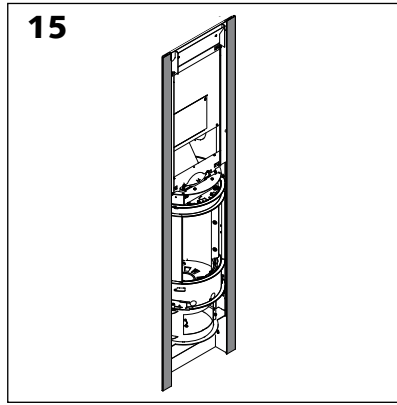
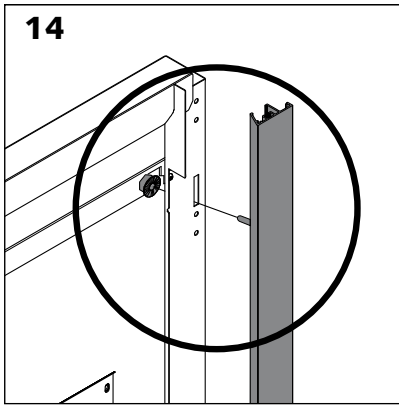
Position the uprights opposite the system and identify the three oblong holes to be used for attachment [diagram 8].



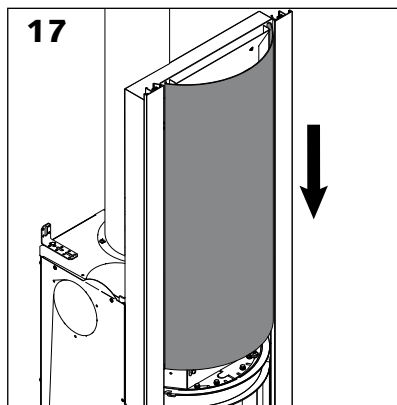
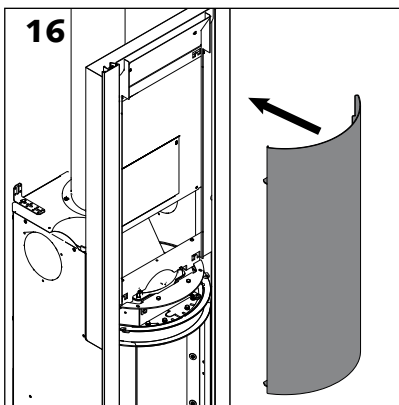
Position the screws in the groove of the upright provided for this purpose [diagram 9].

Position them opposite the holes [diagram 10 and 11] and tighten them to secure them firmly into position.





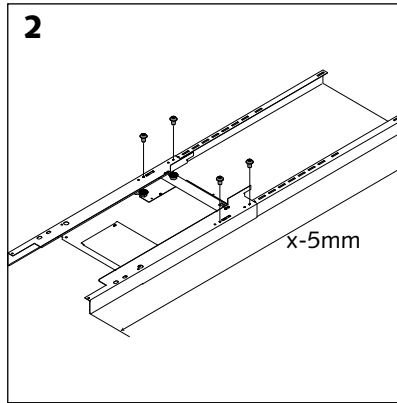
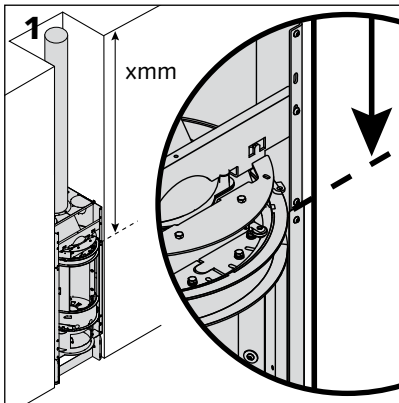
Attach the upright to the stove and screw together using the three nuts [diagram 14].



Positioning of the front piece

Position the front piece parallel with the front piece support and lower it [diagrams 16 and 17].

Fitted in a recess for the full ground/ceiling height: configuration "R"

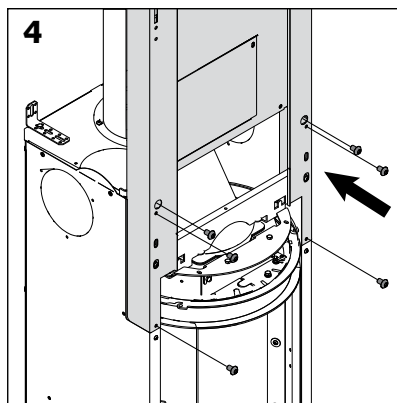
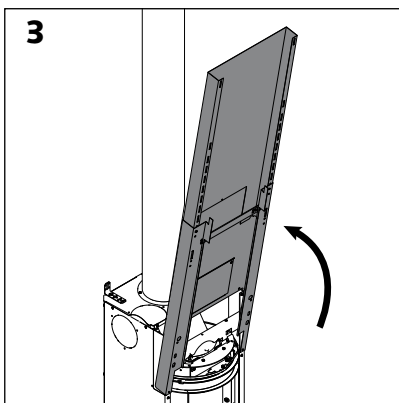


4 stages:

Positioning of the front piece support

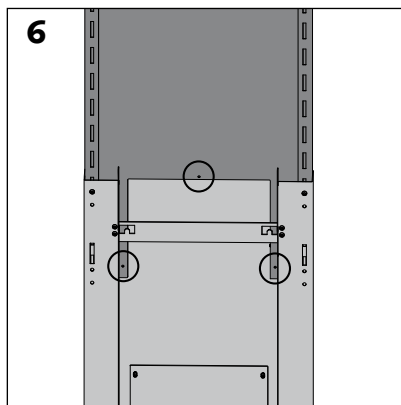
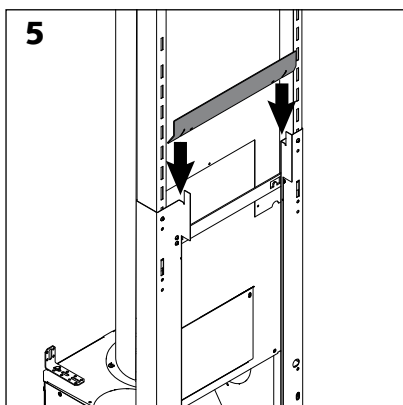
Measure the height from the position marked on diagram 1 to the ceiling [diagram 1].

Adjust the height of the front piece support with its extension by referring to the measurement and deducting 5 mm. [diagram 2].

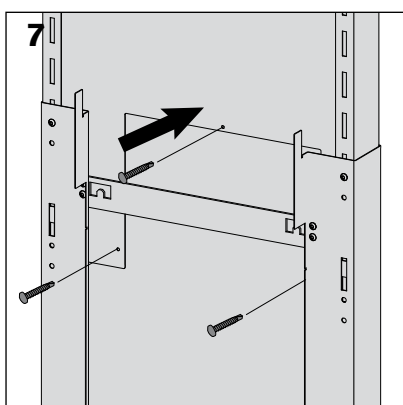


Using 6 screws and the size 4 Allen key, attach the whole unit to the stove [diagrams 3 and 4].

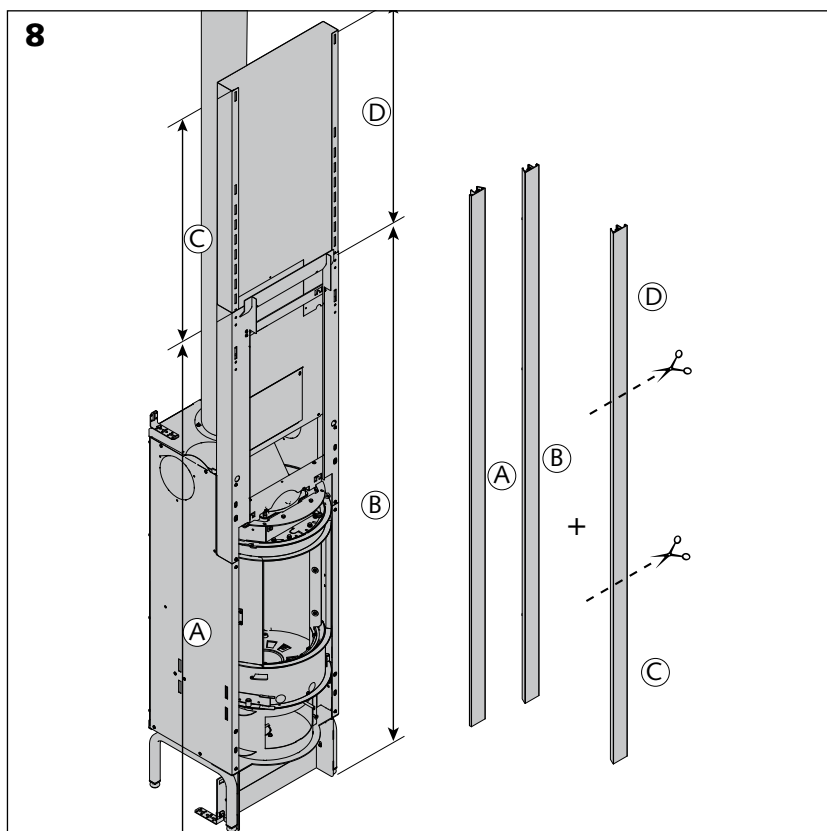
Please note: if you install a ceiling finishing plate, this support has to be put in place to indicate the position of the ceiling plate and then remove it to screw in the ceiling plate



Insert the hot air deviation strip [diagram 5].



Secure using its notches. Using the self-tapping screws, attach the upright to the front piece support to avoid any disruptive vibration [diagrams 6 and 7].

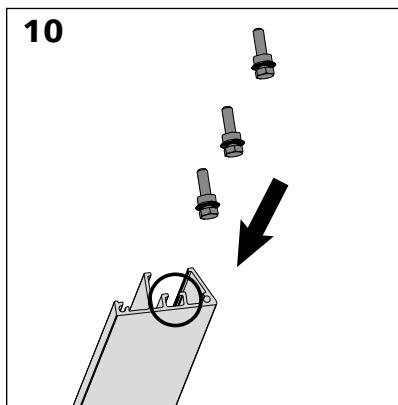
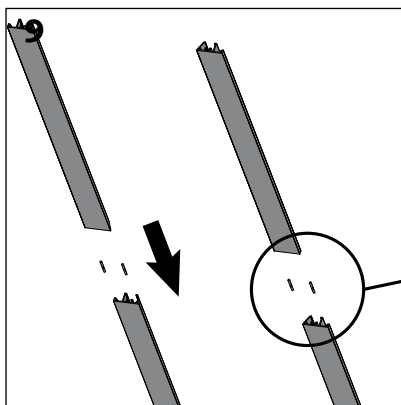


Positioning of the uprights

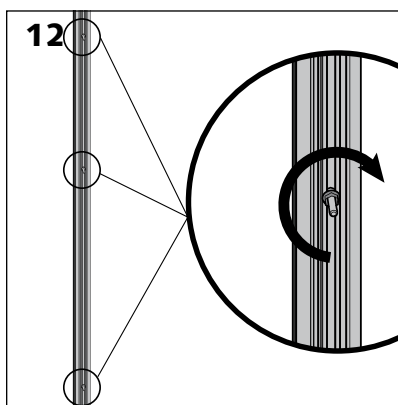
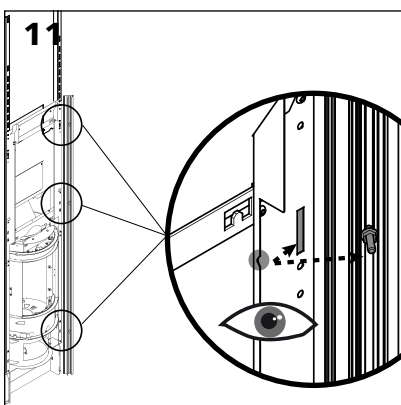
For the 2 uprights of the upper part, cut to size the upright supplied as an option [diagram 8].

For the 2 upper uprights, position the cut to the top. The point where the upper and lower frames meet will be optimal.

Installation of the finished pieces: 3 possible configurations (continuation)

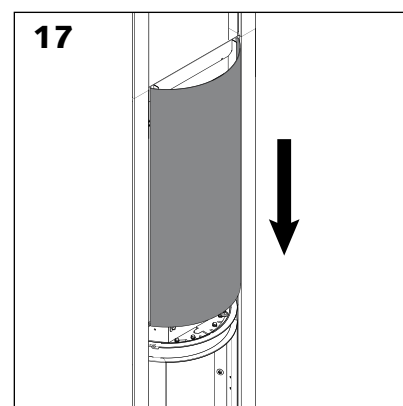
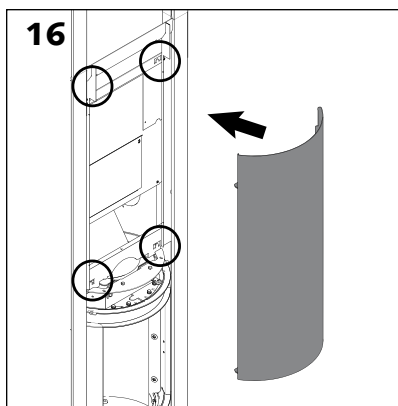
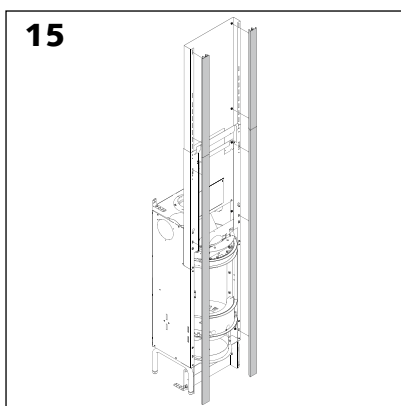
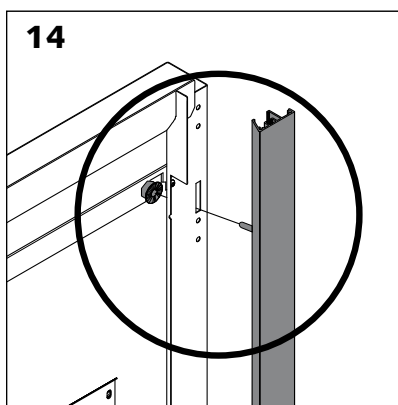
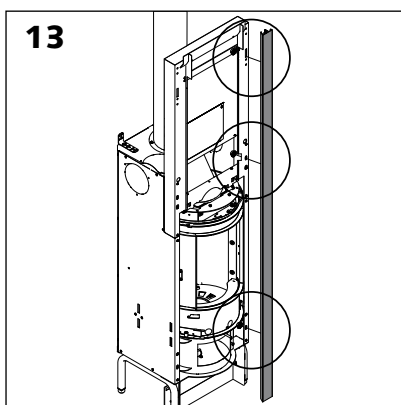


To join the uprights and their extensions which have been cut to the required height, position the pins used for joining. Fit together (please note asymmetry) [diagrams 9 to 11].



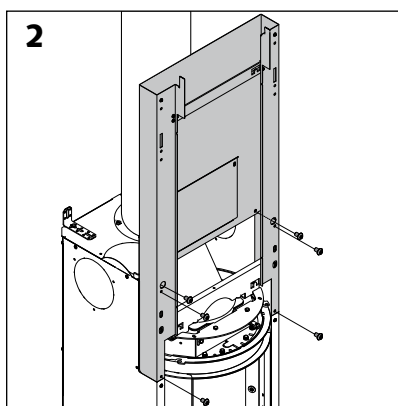
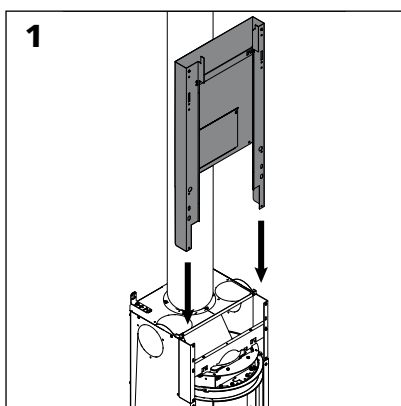
Assemble the finishing frames using the cylindrical joints. [diagram 12].

For the attachment itself, see the end of the section "positioning of the uprights" of the previous configuration. The same applies to the positioning of the front piece.



Installation of the finished pieces : 3 possible configurations (continuation)

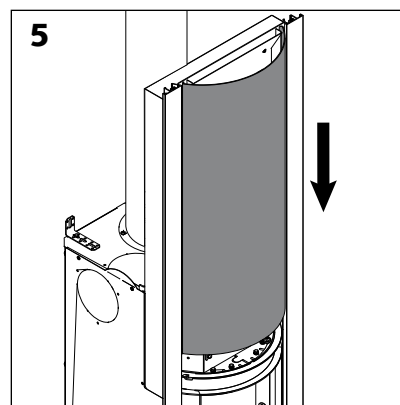
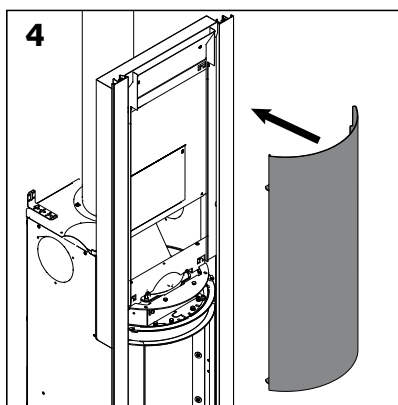
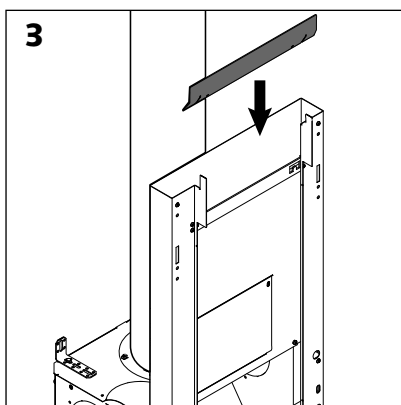
Fitted as well as ready-to-install fireplace: configuration "P"



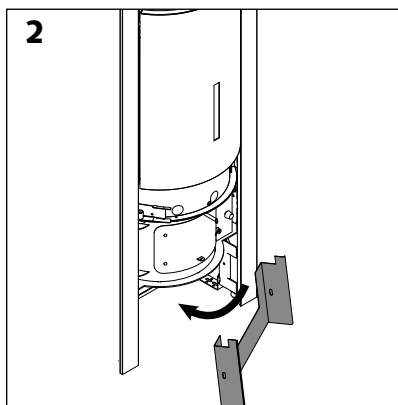
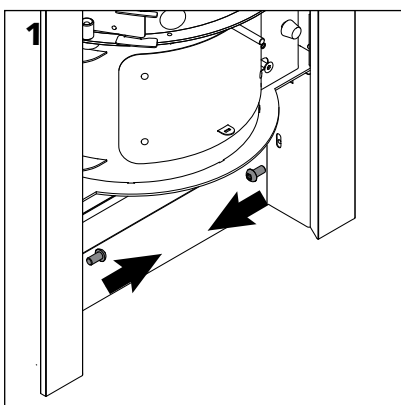
Using the size 4 Allen key, attach the front piece support to the stove, 6 screws. [diagram 2].

Insert and attach the hot air deviation plate to the front piece support [diagram 3].

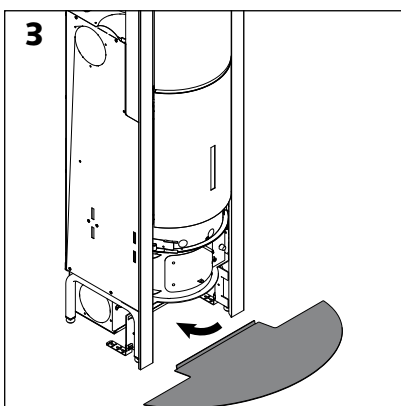
Position the front piece parallel with the front piece support and lower it [diagrams 4 and 5].



Positioning of the ground plate

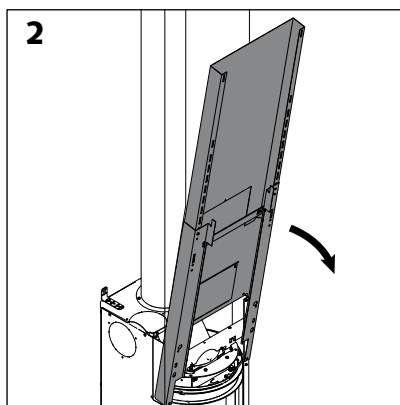
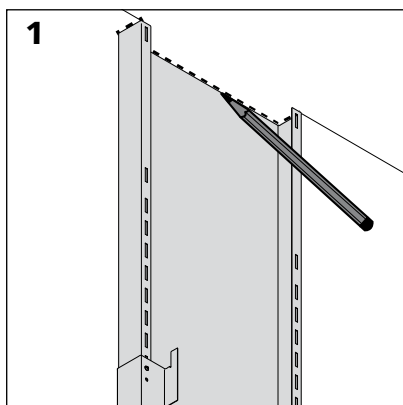


Unscrew and remove the air inlet access flap [diagrams 1 and 2].



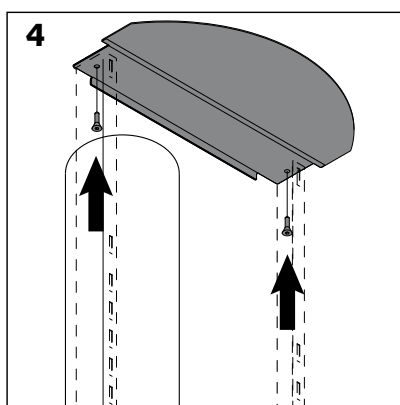
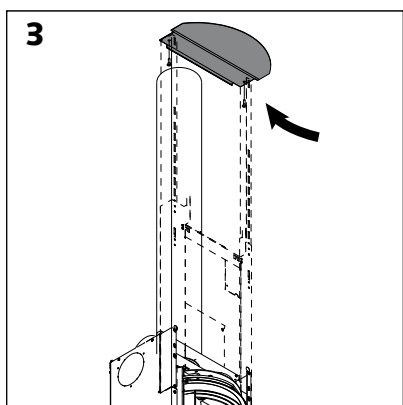
Position the ground plate [diagram 3].

Positioning of the ceiling finishing piece (optional)

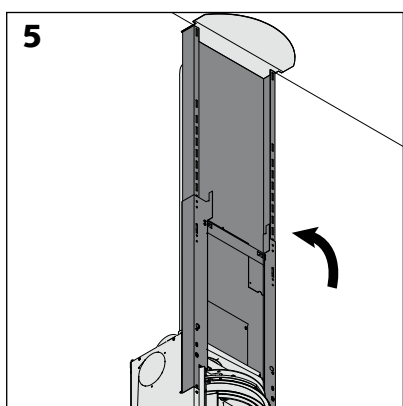


As a guide, draw the shape of the support in order to correctly position the finishing plate. Once it has been drawn, disassemble the front support [diagram 1].

Remove the extension [diagram 2].

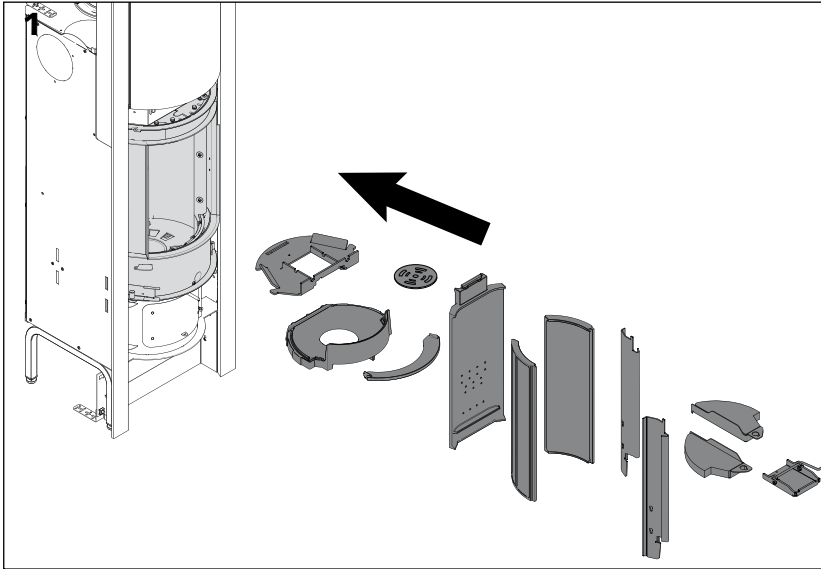


Position and screw in the finishing plate [diagrams 3 & 4].



Replace the extension and attach it [diagram 5].

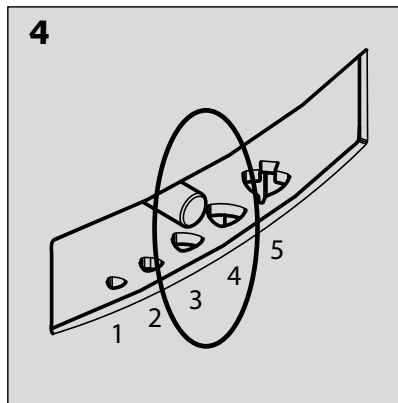
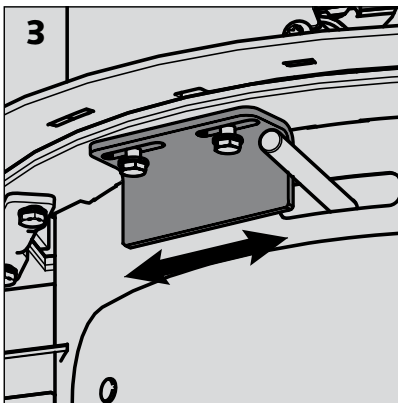
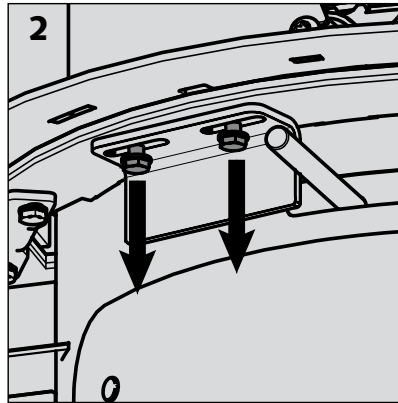
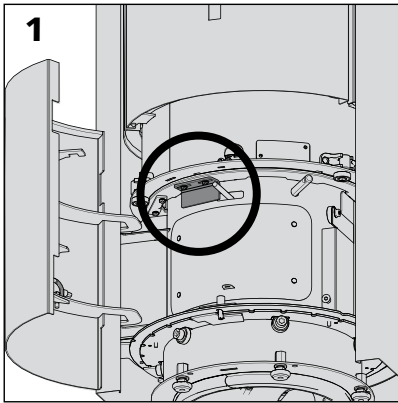
Lining the combustion chamber



Construction of cladding

When installing the cladding or the construction surrounding the stove, follow the basic principles set out in the section "preparing the fireplace".

Adjusting the minimum valve opening stop



Depending on the draw of the flue, the minimum valve opening stop [photo 1] can be adjusted.

> **undo the screws** (using a size 10 screwdriver) that hold the stop [photo 2].

> **if the draw is strong**, slide the stop further to the left [photo 3]. The valve can be set in position zero (all the way to the left); it prevents any air being drawn into the combustion chamber.

> **if the draw is weaker**, slide the stop slightly to the right [photo 3].

This adjustment ensures two things:

- prevents risk of explosion,
- keeps the glass door clean.

ATTENTION !

In smoke control areas The air control stop must be set so that it cannot be closed beyond the position between 3 and 4. [diagram 4]

When the installation of the stove is complete...

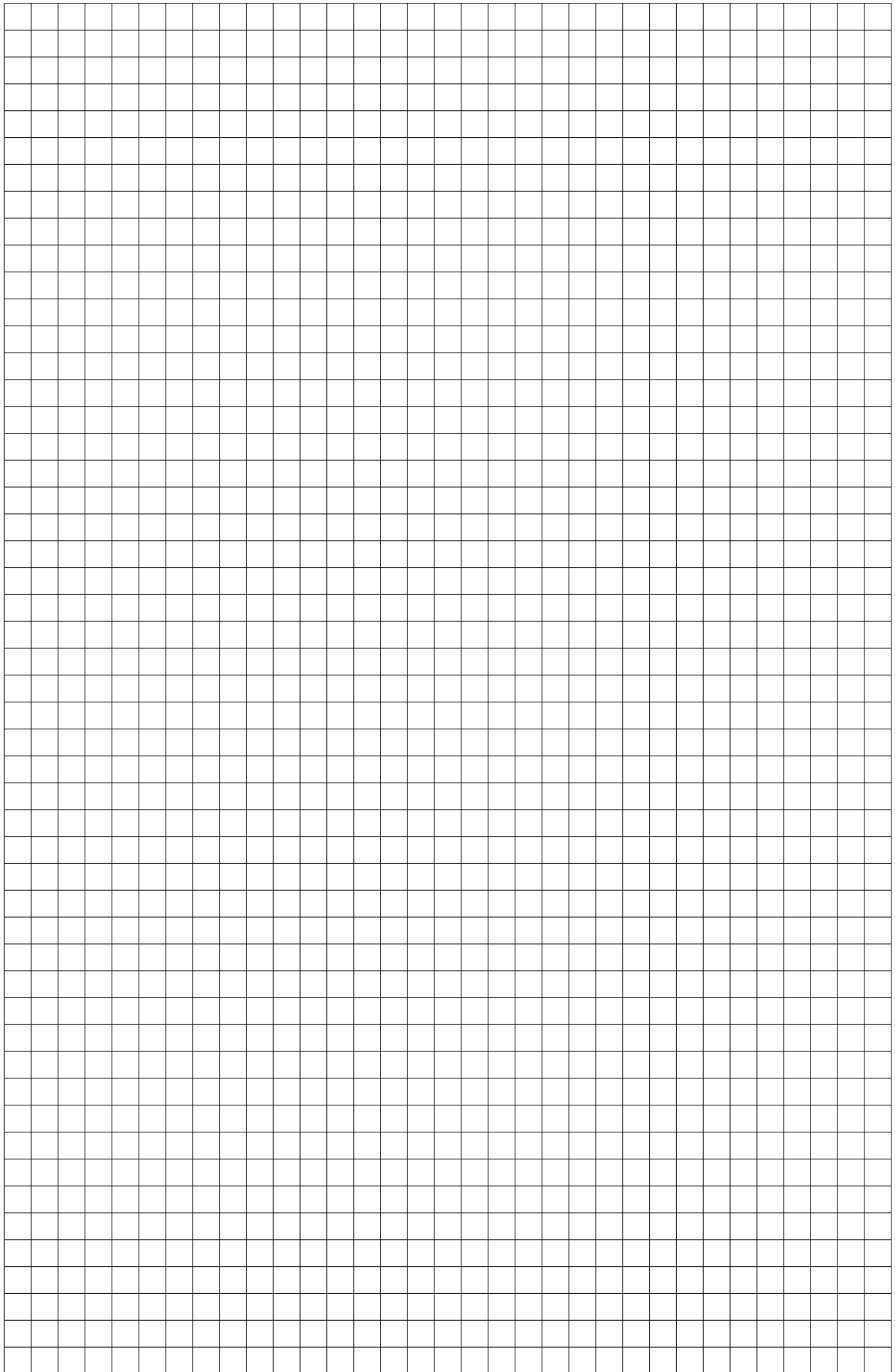
... Carry out a test to ensure it is working correctly.

Before this test, ensure no items involved in installation have been left in the combustion chamber or in the bends (spray paint, tubes of grease, tools).

When the fire is first lit, some smoke or odours may be produced: Ventilate the room thoroughly.

See directions for use.

Once installation is complete, return the directions for use to the user. Fill in the guarantee certificate with him (at the back of the directions for use) and advise him to return it to the manufacturer or importer.



ACCEPTANCE OF WORKS



PLEASE COMPLETE IN BLOCK CAPITALS.

THE PURCHASER

SURNAME
FIRST NAME
ADDRESS WHERE WORKS WERE CARRIED OUT
POST CODE
TOWN/PLACE
COUNTRY

INSTALLATION ENGINEER

COMPANY

YOUR STUV STOVE 30-COMPACT IN

SERIAL N°
DATE OF INSTALLATION

FLUE CHARACTERISTICS

HEIGHT OF FLUE IN M
DIAMETER OF FLUE IN MM
TYPE OF FLUE

CHECK OF SYSTEM'S SETTINGS

CHECK ON THE VACUITY OF THE FLUE
VALIDATION OF DRAUGHT
VERIFICATION OF AIR INLET SETTING
(OPEN/CLOSED)

CHECK OF THE HUMIDITY OF THE WOOD HUMIDITY % NO WOOD

COMMENTS
.....
.....

SAFETY GUIDELINES

The use of this system has to comply with the installer's recommendations and the manufacturer's instructions which are set out in the directions for use issued to the customer with the invoice and this confirmation of acceptance.

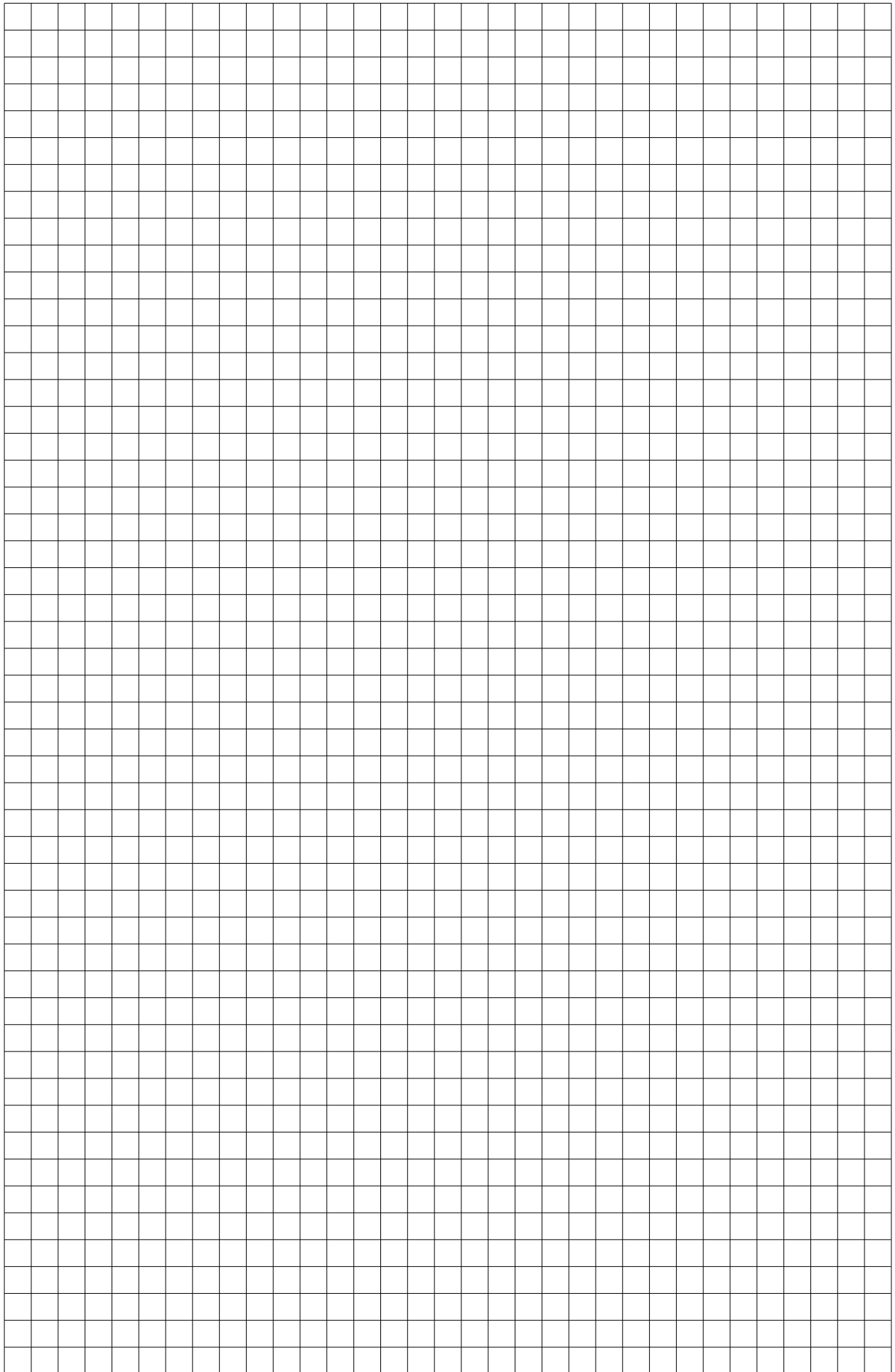
The efficiency and longevity of the system depend directly on the quality of wood used: it is essential that wood with humidity of less than 18% (*) or reconstituted wood briquettes are used. Green wood with drying-out time of less than 24 months cannot be used (more information in the "fuels" section on pages 8 and 9 of the directions for use).

THE INSTALLATION ENGINEER (name written out in full and signature).....

THE CUSTOMER (name written out in full and signature)

Directions for use of the system issued to customer / Information sheet on lighting the stove issued to the customer

* www.nfboisdechauffage.org



CONTACTS

Stûv stoves are designed and manufactured in Belgium by:

Stûv sa
rue Jules Borbouse 4
B-5170 Bois-de-Villers (Belgium)
info@stuv.com – www.stuv.com

Importer for the UK

Jet Master Fires Ltd – Unit 2
Peacock trading Estate, Goodwood Rd
S050 4NT Eastleigh – Hampshire
T 0870 727 0105
jetmastersales@aol.com
www.jetmaster.co.uk

Importer for Finland

Ilkka Alatarvas OY
Pikkujärventie 4B
01680 Vantaa
T 400 872 858
www.takkamaailma.com

Importer for Sweden

Eldoform Sverige AB
Slipgatan 2 – 117 39 Stockholm
T 0707 883 53 – www.eldoform.se

Importer for Denmark

Stove APS
Aldershvilevej 84 – 2880 Bagsvaerd
T 51 33 10 93

Importer for Estonia

Tulering Kaminasalong Oü
Sopruse 145 – 13417 Tallinn
T +372 56 249 004 - www.tulering.ee

CAUTION!

Upon receipt of this stove, please ensure that the glass door has not been damaged during delivery.

The guarantee only covers damage due to transport if it is reported within 48 hours of delivery and it is indicated on the delivery slip.

printed on 100% recycled paper

installation instructions [en] Stûv 30-compact in

01/13 – SN 112787 > ...



Stûv reserves the right to make changes without prior notice.

These instructions have been produced with the greatest of care. However, we do not accept responsibility for any errors that may have been made.

Editor: Gérard Pitance – rue Jules Borbouse 4 – 5170 Bois-de-Villers – Belgium

[nl] [de] [it] [es] [pt] [cz] [en] [fr] >

This document is available in several languages:

Contact your distributor or visit www.stuv.com