

STOVAX

Fire Your Imagination

Studio

Freestanding Cassette Range



Instructions for Installation & Servicing

For use in AU & NZ (Australia and New Zealand)

These products are tested in accordance with AS/NZS 4012:1999, AS/NZS 4013:1999 and AS/NZS 2918:2001 and comply with emission requirements for Australia when using Hardwood.

IMPORTANT

THE OUTER CASING, FRONT AND GLASS PANEL BECOME EXTREMELY HOT DURING OPERATION AND WILL RESULT IN SERIOUS INJURY AND BURNS IF TOUCHED. IT IS THEREFORE RECOMMENDED THAT AN APPROVED FIREGUARD IS USED IN THE PRESENCE OF YOUNG CHILDREN, THE ELDERLY OR INFIRM.

CAUTION: THIS APPLIANCE SHOULD BE MAINTAINED AND OPERATED AT ALL TIMES IN ACCORDANCE WITH THESE INSTRUCTIONS.

Keep them in a safe place for future reference and when servicing the fire.

The commissioning sheet found on page 3 of these instructions should be completed by the Installer.

Contents

Studio Freestanding

Covering the following models:

RVFST-1HTAU/ RVFST-2HTAU/ RVFST-3HTAU

Appliance Commissioning Checklist	2
Installation Instructions	4
Installation Checklist.....	4
Removing Internal Components	8
Installing the Appliance	11
Commissioning.....	17
Maintenance & Servicing.....	18
Annual Service	18
Removal of Internal Parts.....	18
Fitting A New Door Seal	19
Adjusting Door Hinges.....	19
Adjusting the Door Catch	20
Technical Appendix.....	22
Legal Requirements	22
Flue Outlet Positions	23
Flue & Chimney.....	25
Ventilation	26
Minimum Dimensions - Floor Protector.....	26
Fire Surround Clearances	26
Spare Parts List.....	27
Service Records	30

Appliance Commissioning Checklist

This checklist MUST be filled out completely and signed in order to qualify for the full Dealer Warranty. Failing to complete this commissioning checklist will mean the warranty will only be valid for 12 months from the date of purchase.

Dealer appliance was purchased from:

Name: _____

Address: _____

Telephone number: _____

Essential information - MUST be completed:

Date Installed: _____

Model Description: _____

Serial Number: _____

Installation Technician:

Company Name: _____ AHHA/SFAIT License No _____

Address: _____

Telephone number: _____

Commissioning Checks - to be completed and signed:

Is flue system correct for the appliance:	YES <input type="checkbox"/>	NO <input type="checkbox"/>
Flue swept and soundness test complete*:	YES <input type="checkbox"/>	NO <input type="checkbox"/>
Smoke test completed on installed appliance	YES <input type="checkbox"/>	NO <input type="checkbox"/>
Spillage test completed	YES <input type="checkbox"/>	NO <input type="checkbox"/>
Use of appliance and operation of controls explained	YES <input type="checkbox"/>	NO <input type="checkbox"/>
Clearance to combustibile materials checked**	YES <input type="checkbox"/>	NO <input type="checkbox"/>
Instruction book handed to customer	YES <input type="checkbox"/>	NO <input type="checkbox"/>
Smoke Alarm Fitted (Mandatory)	YES <input type="checkbox"/>	NO <input type="checkbox"/>
CO Alarm Fitted (Recommended)	YES <input type="checkbox"/>	NO <input type="checkbox"/>

*If using an existing flue system - not applicable for a new flue assembly
** Record with photographs if possible.

Signature: Print Name:

Installation Checklist

1. Essential Information

GENERAL	Model:			Studio 1	Studio 2	Studio 3
	Studio 1 Studio 2 Studio 3					
	Nominal Heat Output	Wood	kW	12	15	18
	Room Heating Capacity	Wood	m ²	150	200	250
	Particulate Emissions	Wood	g/kg	2.2	2.2	2.0
	Efficiency	Wood	%	64%	61%	58%
	Weight		Kg	88	135	206
Recommended Fuels	Wood	Seasoned Wood (less than 20% moisture content) Hardwood				

As tested to the requirements of AS/NZS 4012:1999 & AS/NZS 4013:1999.

FLUES	Flue/Chimney Size	Factory made system (diameter) installed in accordance with manufacturers instructions	mm	150/200/250	150/200/250	150/200/250
		Masonry Installation flue liner (diameter)	mm	150	150	150
	Flue/Chimney minimum height**	All products	m	4.6	4.6	4.6
	Flue Draught	Min	mm Wg	1.0	1.0	1.0
		Nominal		1.5	1.5	1.5
		Max		2.0	2.0	2.0
Flue Outlet Size (Top Option)		mm	153	153	153	

Flue Specification approved to AS/NZS 2918:2001

VENTILATION	Room Air Replacement			125 x 125	175 x 175	200 x 200
	(vents x 2)					

For full technical details on ventilation see Technical Appendix on Page 26



**When measured from the top of the appliance to the top of the flue, with no horizontal sections and a maximum of 4 bends with angles of less than 45°

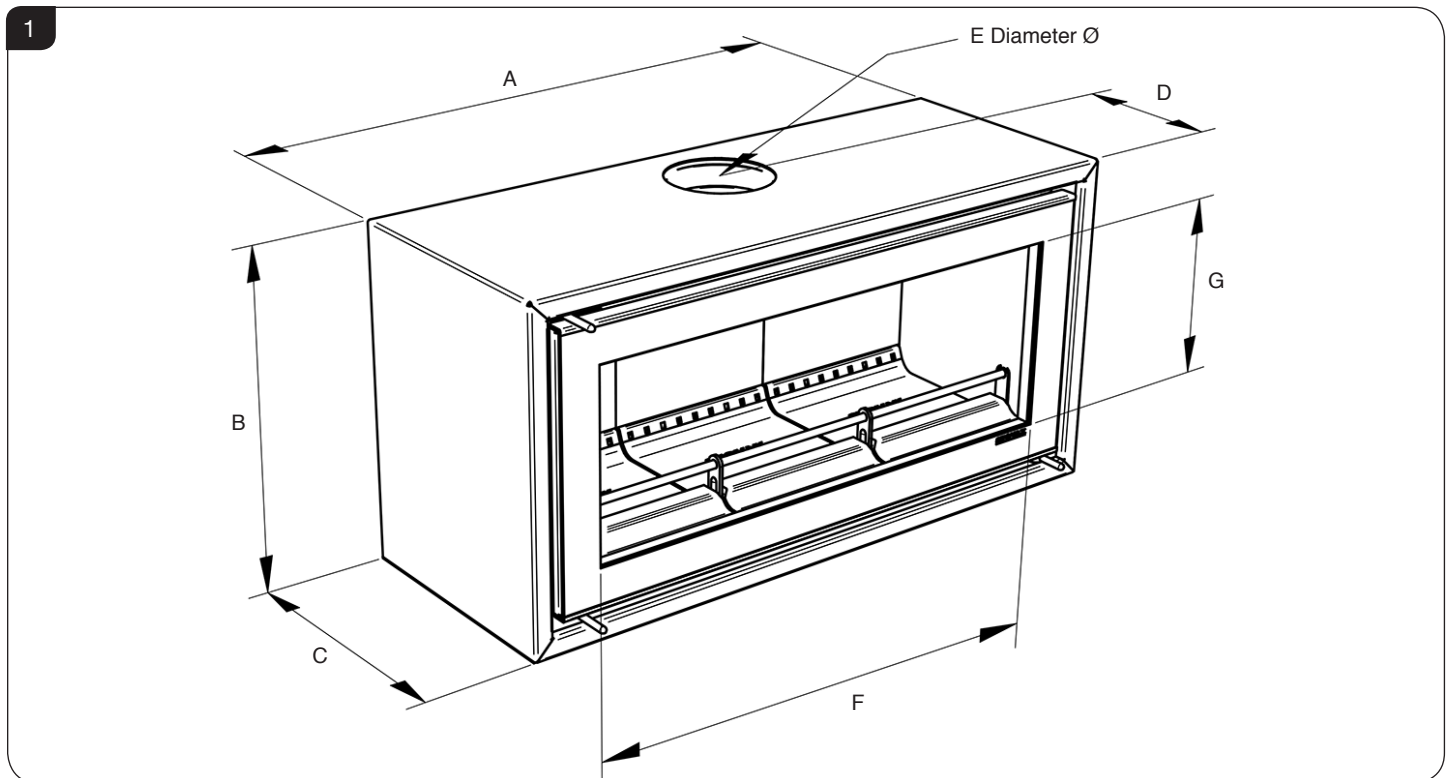
Installation Checklist

Please Note

This section is intended to give an overview of the product performance and essential information required for installing the appliance. It is intended for qualified engineers who are already familiar with Stovax products.

For full details and expanded information please see the Technical Appendix at the back of this manual.

2. Studio Dimensions



Description	Model	A	B	C	D	E	F Glass Viewing Area	G Glass Viewing Area
Studio 1	RVST-1HTAU	800	479	380	260	153 (6")	590	263
Studio 2	RVST-2HTAU	1000	504	380	260	153 (6")	790	289
Studio 3	RVST-3HTAU	1389	516	445	325	153 (6")	1177	286

All dimensions in mm. (25.4 mm = 1")

Installation Checklist

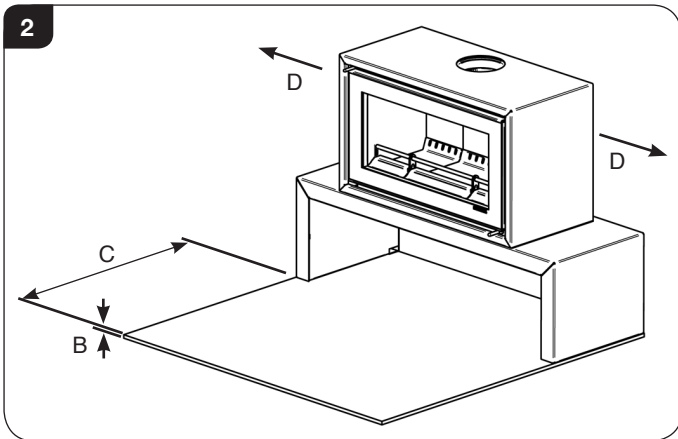
3. Minimum Dimensions - Floor Protector

Floor Mounted

- 3.1 If the appliance is installed directly onto the floor it must stand on a heat resistant constructional floor protector of the minimum dimensions shown and meet the requirements of AS/NZS 2918:2001, section 3.3.3.

Bench Mounted

If this appliance is installed on a Stovax Bench, the bench must stand on a heat resistant floor protector, see Diagram 2.



	Studio 1	Studio 2	Studio 3
B (Thickness)	12	24	12
C (250 High Bench)	400	500	750
C (350 High Bench)	300	400	650
D - Side	400	425	450

- 3.2 The building must have a suitable load-bearing capacity for the floor protector and appliance. Consult a structural engineer for advice before proceeding.
- 3.3 When fitting into an existing floor protector check that the appliance complies with current construction regulations and is at least the minimum sizes shown.
- 3.4 If there is no existing floor protector and chimney it is possible to construct a suitable heat resistant housing and floor protector setting. The flue must be installed in accordance with all local and national regulations and current rules in force.

4. Clearances

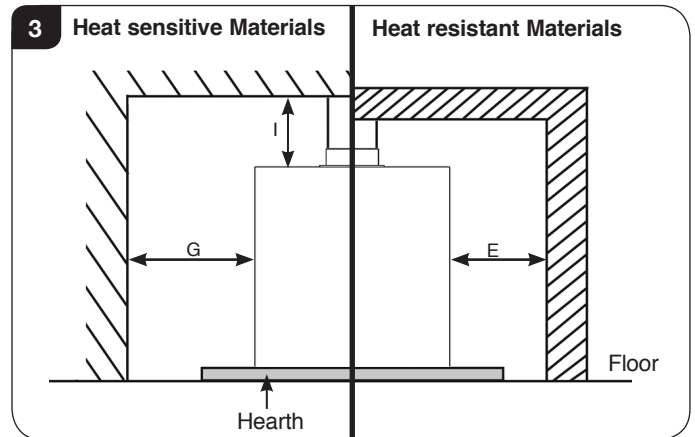


IMPORTANT: INSTALLATION MUST COMPLY WITH CURRENT BUILDING REGULATIONS

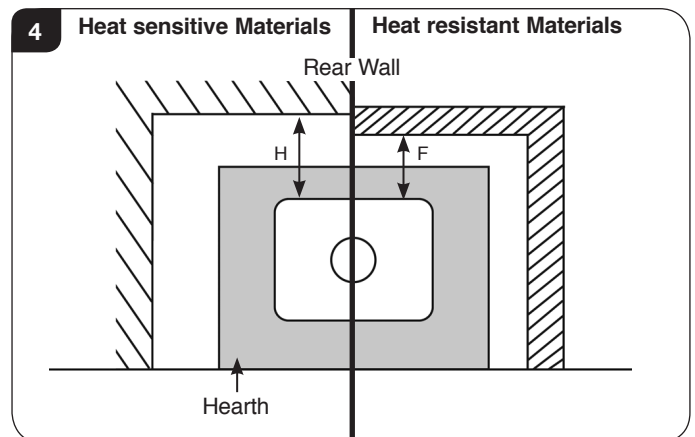
ENSURE THAT SUFFICIENT CLEARANCES ARE PROVIDED BETWEEN THE FLUE PIPE AND ANY HEAT SENSITIVE MATERIALS IN THE FIREPLACE IN ACCORDANCE WITH THE RULES IN FORCE.

- 4.1 When installing a Studio stove it is important to observe the following clearances to both **heat sensitive** and **heat resistant** materials.
- Also ensure that a clearance of 1 meter is maintained in front of the appliance when operating.

Fireplace: Minimum Clearances Above & to the Sides (Elevation View)



Fireplace: Minimum Clearances to the Rear (Plan View)

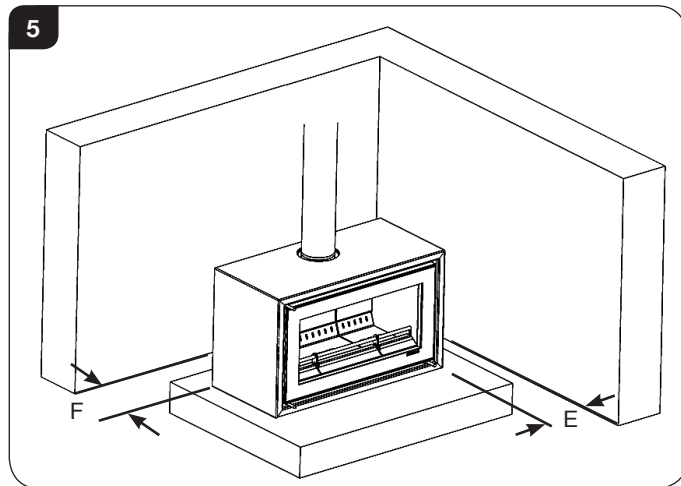


Installation Checklist

Heat Resistant Materials

Freestanding Installation

- 4.2 The appliance must be installed a minimum distance from any surrounding walls to meet the requirements of AS/NZS 2918:2001. See Diagram 5 and table below.



Model	Dimension F*	Dimension E*
Studio 1	100	100
Studio 2	100	100
Studio 3	100	100

Heat Sensitive Materials

- 4.3 It is essential for safety to ensure the following clearances to heat sensitive materials are maintained.

See Diagrams 3 & 4 and table below.

Model	G (side)	H (Rear)	I (Above)**
Studio 1	400	350	1500
Studio 2	425	375	1500
Studio 3	450	400	1500

** F - Default clearance AS/NZS 2918:2001 3.2.2 Safety Clearance.

* C/B - Default clearance AS/ NZS 2918:2001 3.2.1 Access Clearances.

5. Optional Extras

Decorative Flue Cover

- 5.1 This appliance can be fitted with an optional decorative flue cover. For installation procedures please refer to the instructions supplied with the kit - Stovax part no. PM504.

Bench

- 5.2 This appliance can be fitted with a bench, various sizes are available. This must be done at the time of installation. Please refer to instructions - PM205.

Heat Shield

- 5.3 This appliance can be fitted with a heat shield in order to decrease the distance the appliance can be installed from a wall. This must be done at the time of installation. Please refer to instructions - PM732AU.

Glass Top Plate

- 5.4 This appliance can be fitted with a decorative glass top plate. This must be done at the time of installation. See Installation Instructions, Section 5.

Outside Air Kit

- 5.5 This appliance can be fitted with an optional kit to help bring air directly into the appliance from outside. The For installation and operating procedures you must refer to the instructions supplied with the Outside Air kit.

Removing Internal Components

1. General

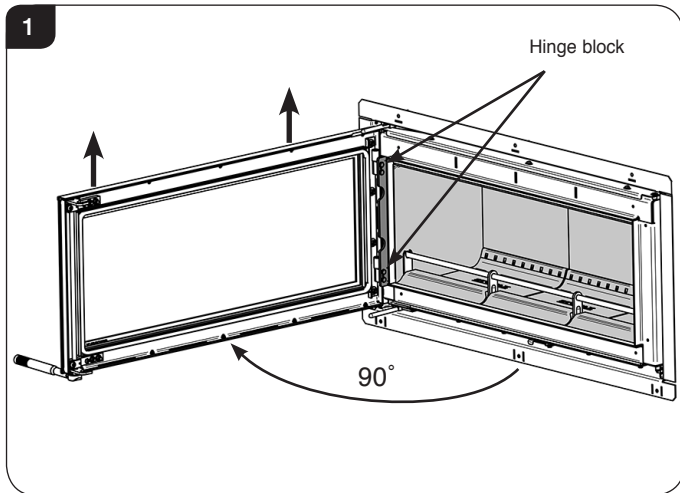
- 1.1 To make the installation of the appliance easier it is best to remove the internal components before fitting into the builders opening/studwork.
- 1.2 For the best results removing the following components as set out below.

2. Removal of the Door

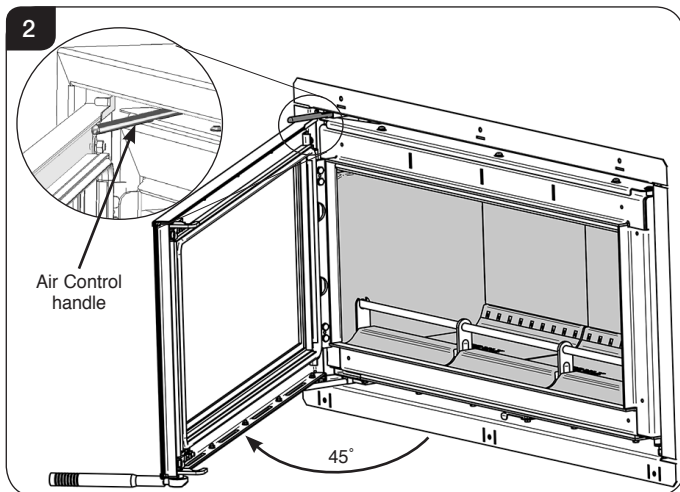
Studio 1 & 2

Before removing the door it is recommended to protect the left edge from damage using masking tape.

- 2.1 Open the door approximately 90°, see Diagram 1.



- 2.2 Move the Air Control to the far right, see Diagram 2.



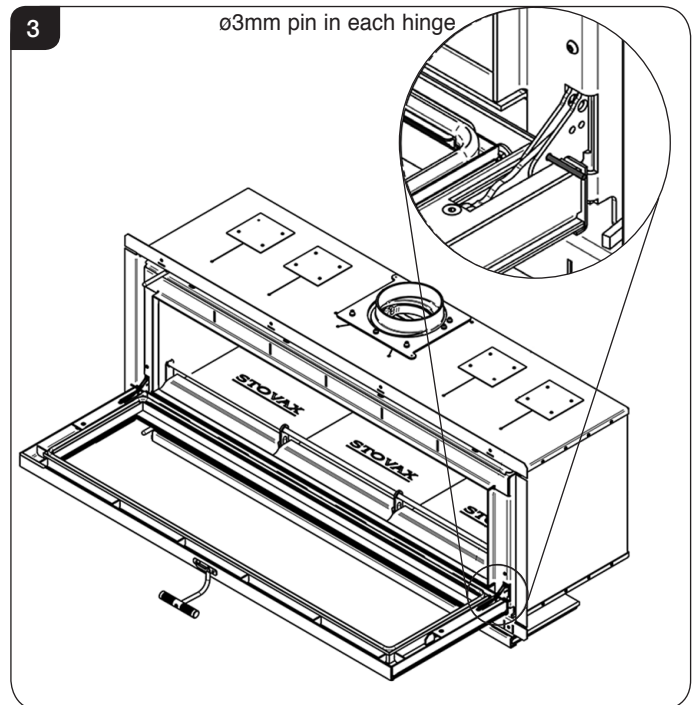
- 2.3 Lift the door vertically to remove from the hinge block, see Diagram 1.

- 2.4 Close the door 45°, ensuring the Air Control handle sits inside the channel in the top of the door (see Diagram 2) and carefully manoeuvre the door clear of the hinge mechanism.
- 2.5 Lie the door face down on a soft flat surface to protect the paint work and glass.
- 2.6 Reverse the procedure to re-fit the door.

Studio 3

This will require 2 people.

- 2.7 Open the door fully (see User Instructions, page 5).
- 2.8 Lock the hinges in position using a $\varnothing 3\text{mm}$ pin as shown in Diagram 3.



- 2.9 Raise the door vertically at the front.
- 2.10 Lower the door approximately 5mm and pull away from the appliance.
- 2.11 Lie the door face down on a soft flat surface to protect the paint work and glass.
- 2.12 Reverse the procedure to refit the door.

Removing Internal Components

3. Removal of Internal Components

In the firebox of the Studio are several loose items including:

- A box containing:
 - Baffle Bricks
 - Firebricks
 - Bag containing Instruction Manual, Warranty & Door Tool, Log Guard End Supports
- Log Guard
- Front Baffle Support
- Leather Gloves

3.1 Remove these carefully and put them safely to one side. They can be fitted after the appliance has been installed, see Installation Section.

4. Removal of the Top Baffles

The appliance is fitted with baffles in the top of the firebox to maintain efficient combustion.

Studio 1 has 1 baffle.

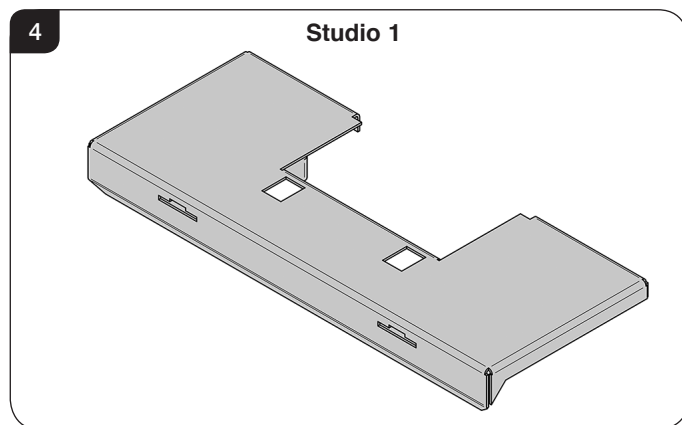
Studio 2 has 2 baffles.

Studio 3 has 3 baffles.

4.1 Once the loose internal components have been removed it is possible to remove the metal Top Baffles.

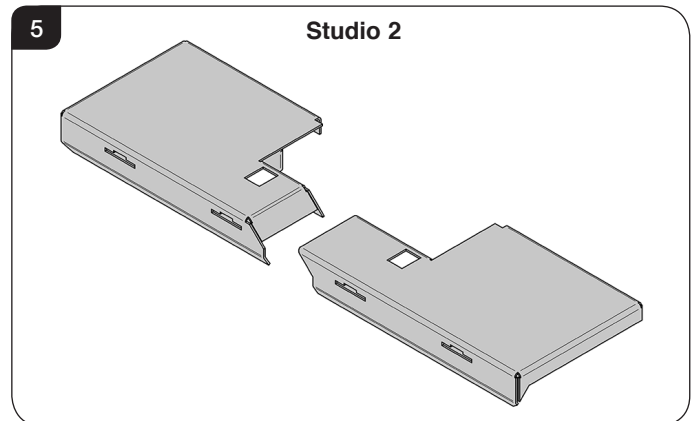
Allow the appliance to cool fully before removing the baffle system.

Studio 1



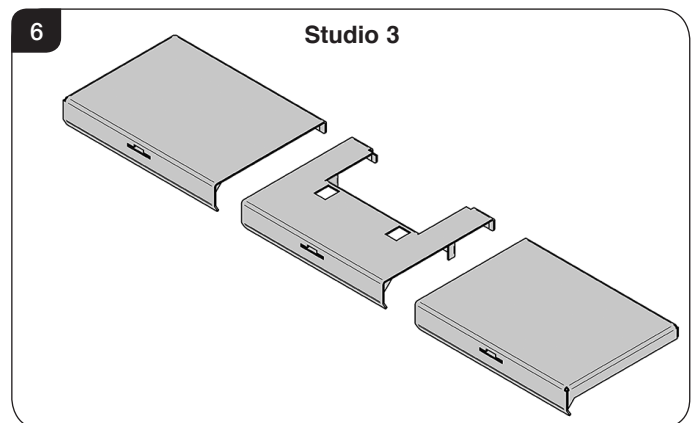
These models have a single section baffle.

Studio 2



The Studio 2 baffle comes in two sections. To remove the baffle system first disengage the left hand side. The method of removal is the same for both sections.

Studio 3



The Studio 3 baffle comes in three sections. To remove the baffle system the baffles must be taken out in the following order:

- Left hand side
- Middle
- Right Hand side

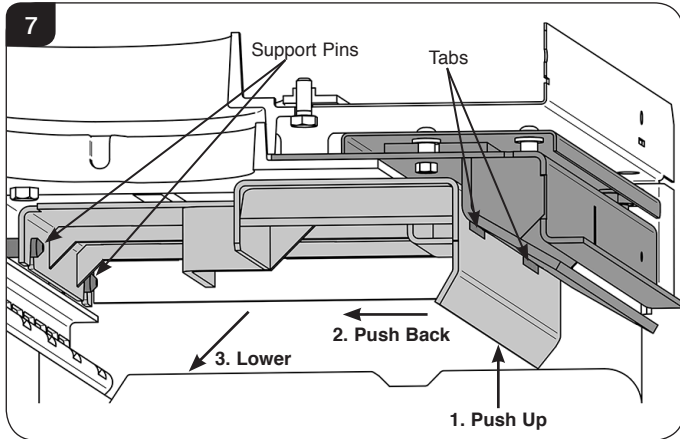
The method of removal is the same for all sections.

Removing Internal Components

All Models

4.2 Use two hands and lift the front edge of the baffle to clear the support tabs at the front of the firebox. Push the baffle towards the back of the appliance to free it from the tabs at the front, see Diagram 7.

4.3 Lower the baffle into the firebox to disengage from the support pins and carefully withdraw through the front of the appliance, see Diagram 7.
Take care not to damage the firebricks.



4.4 If the appliance has more than one baffle remove in the correct order.

4.5 Replace in reverse order.

4.6 The baffle system is designed to give safe and efficient operation of the stove. Replace damaged baffles immediately.

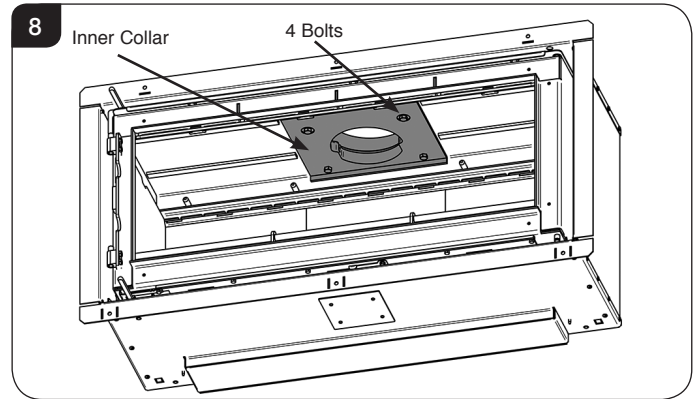
4.7 **Do not modify the baffle system.**
Do not operate with the baffle system removed.

5. Separate The Inner & Outer Box

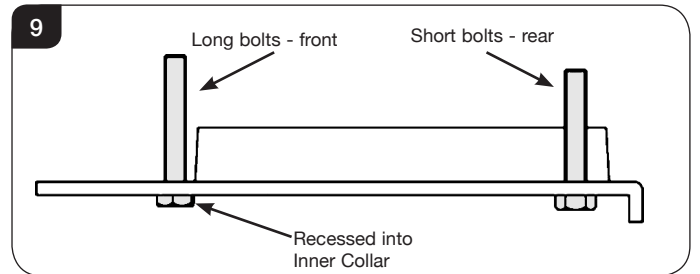
To protect the delicate parts of the appliance the product has been designed so that the inner box can be removed from the outer box.
Keep the inner box in a safe place whilst the outer box is installed into the fabric of the house, the main flue connections made and the walls finished.
When all the heavy work is complete the inner box can be re-installed into the outer box and the final connection made.

5.1 The internal components, bricks, baffles and the door etc should be removed to make the installation process easier and prevent damage.

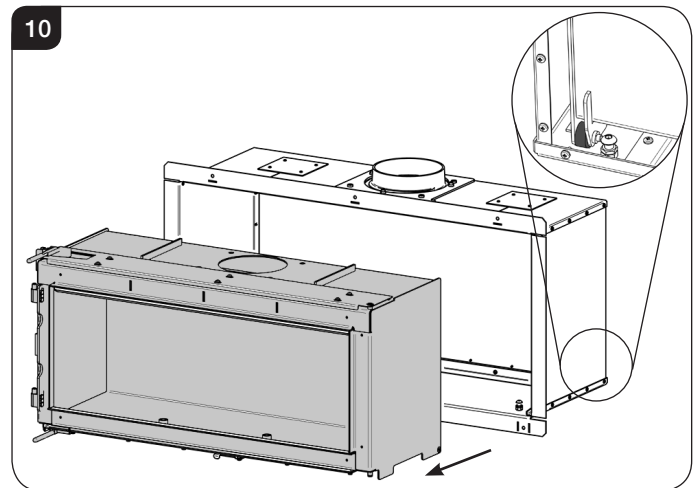
5.2 First remove the inner collar, see Diagram 8.



5.3 First remove the inner collar. Using a 13 A/F spanner, remove the 4 x bolts, see Diagram 9.



5.4 The inner box can now be slid out of the outer box.
There is a roller assembly at the rear which locates in cutouts on the outer box, see Diagram 10.



Pull the inner box carefully forward to release from the cutouts. It should now slide smoothly out of the outer box.
This will require at least two people.

Installation Instructions

1. General Points

Each installation is unique to the property so it is not possible to give details to suit every setting. The installation must comply with Building Regulations and be made using "best practice" construction methods.

Stovax Studio appliances can reach high temperatures so it is important to maintain the clearance to heat sensitive materials and ensure the housing for the appliance is built from heat resistant material.

- 1.1 Take care when installing the appliance. Careless handling and use of tools can damage the finish and/or area.
- 1.2 Other heat resistant materials may also be used to create a housing for the appliance but it is essential to maintain the clearances to heat sensitive material.

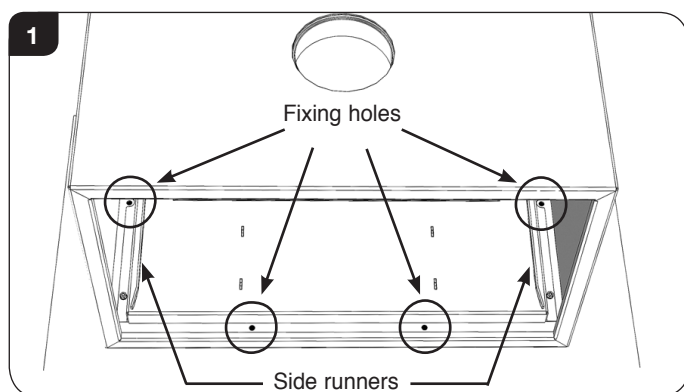
i **NOTE: If installing with an Outside Air Kit, and/or a Heat Shield, please consult manuals PM361 and PM732AU prior to installation.**

THIS APPLIANCE MUST BE SECURELY BOLTED IN POSITION TO SUPPORT THE DOOR WHEN IT IS OPENED.

- 1.3 Use M6 or M8 bolts to secure the outer case to the masonry of the fireplace. There must be at least two bolts in the back of the outer case and one in either side. These can be secured through the side or base of the outer case (see shaded area in Diagram 1). Check the security of these fasteners before proceeding to fit the inner box.

2. Bolting the Appliance to the Hearth

- 2.1 **The appliance must be fixed to the hearth.** Use the four hearth mount holes shown in Diagram 1.



Take care not to damage the hearth.

- Position the appliance where required on the hearth and mark the location of the 4 fixing holes in the outer box.
- Drill the right sized holes into the hearth.
- Use suitable fasteners to fix into place.

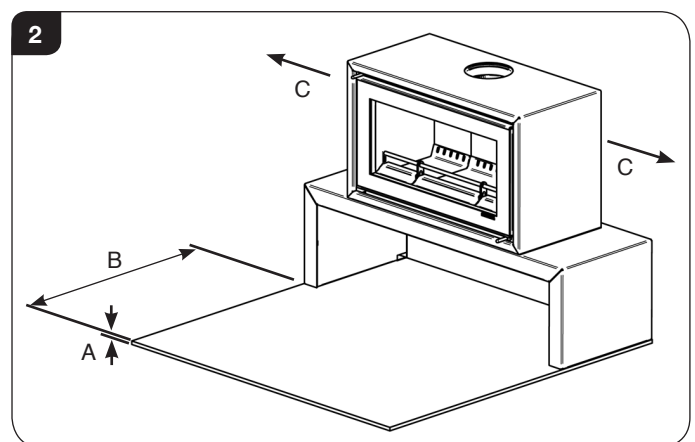


The fixing above must also comply with AS/NZS 2918:2001 section 3.8 for seismic restraint. Earthquake restraints may be positioned by drilling through the firebox into the base of the box within the shaded area using 2 x M8 bolts or similar. Do not over tighten and deform the firebox.

3. Optional Bench Plinth

This appliance can be installed on an optional bench.

The bench should be securely fixed to the hearth with the appliance fixed to the bench to provide seismic restraint to comply with the requirements of AS/NZS 2918:2001 section 3. A floor protector must be used as shown in Diagram 2 and to the dimensions shown in the table.



	Studio 1	Studio 2	Studio 3
A (Thickness)	12	24	12
B (250 High Bench)	400	500	750
B (350 High Bench)	300	400	650
C (Sides)	400	425	450

When the appliance is installed with the optional bench the clearances to heat sensitive materials are listed in table. If installed in all other configurations the default values listed in AS/NZS 2918:2001 Section 3 should be used.

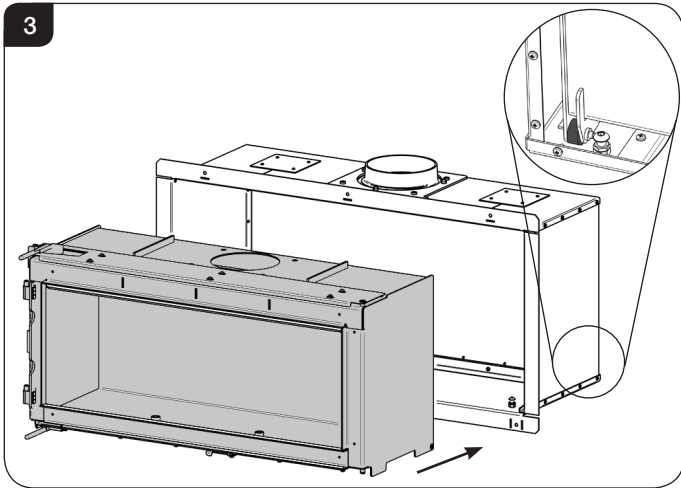
Installation Instructions

4. Installation of the Inner Box

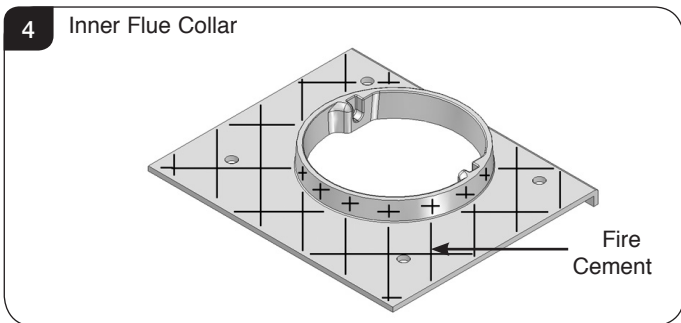
NOTE: This will require 2 people.

- 4.1 Slide the inner box into the outer box. **There is a roller assembly at the rear of the inner box which locates in cutouts in the base of the outer box, see Diagram 3.**

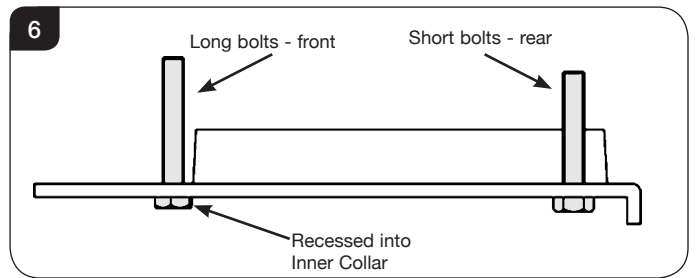
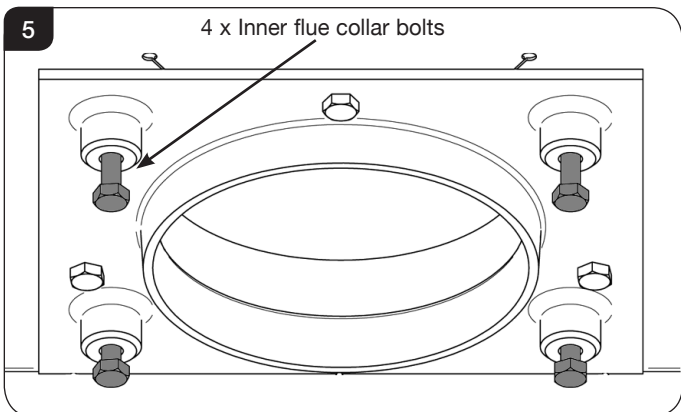
This will require 2 people, see Diagram 3.



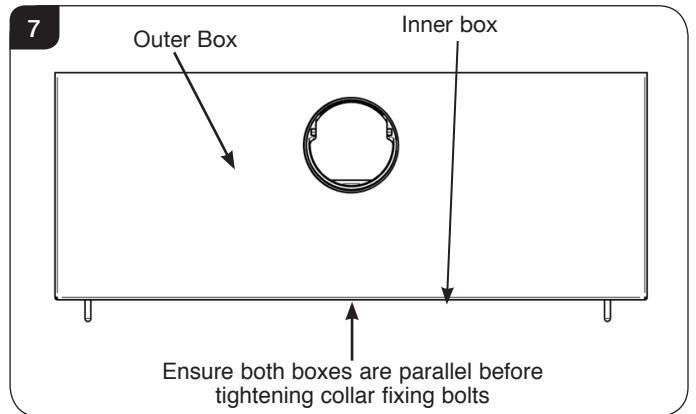
- 4.2 Apply fire cement in to the faces shown in Diagram 4 prior to fitting the inner collar.



- 4.3 Fit the inner flue collar using the 4 x bolts ensuring the top hat spacers are replaced on the 2 x longer front bolts, see Diagram 5 and all bolts are finger tight only.



- 4.4 Check that the front of the inner box is parallel to the outer box, see Diagram 7. Adjust the position until correct and then fully tighten the 4 x bolts. Do not over tighten the bolts.



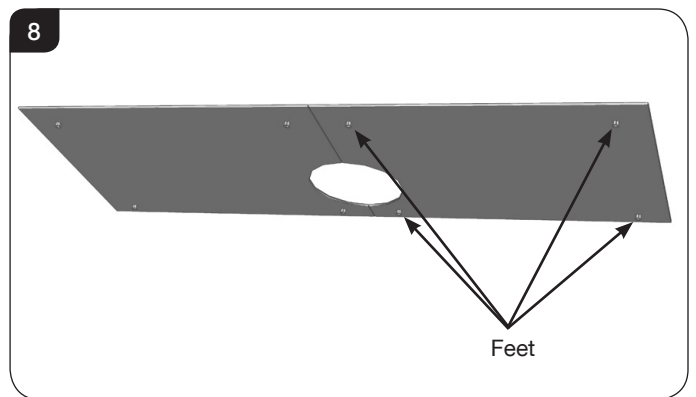
- 4.5 Replace the internal components (baffle(s), door) following the Removing Internal Components Instructions section.

5. Glass Top Plate

This appliance can be fitted with optional glass top plates.

Product Code	Left Side	Right Side
RVFS-1GB	RVFS-MEC8816	RVFS-MEC8815
RVFS-2GB	RVFS-MEC8808	RVFS-MEC8807
RVFS-3GB	RVFS-MEC9364	RVFS-MEC9365

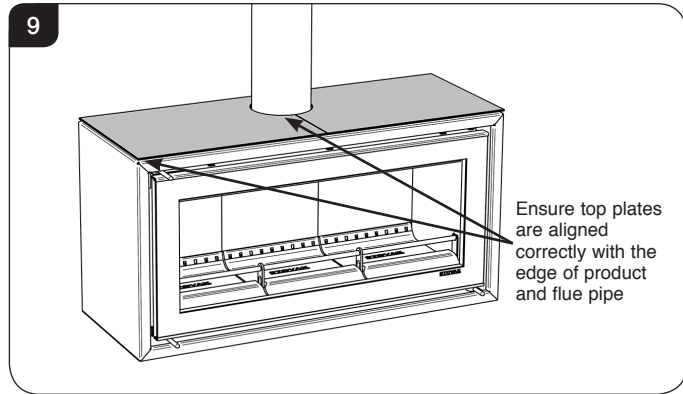
- 5.1 The glass top plates have 4 x 6mm silicon feet on the underside to space them off the top of the appliance.



Installation Instructions

- 5.2 Place the glass plates feet down on top of the appliance.

Ensure the glass tops are flush with the front and sides of the appliance and placed correctly around the flue pipe.

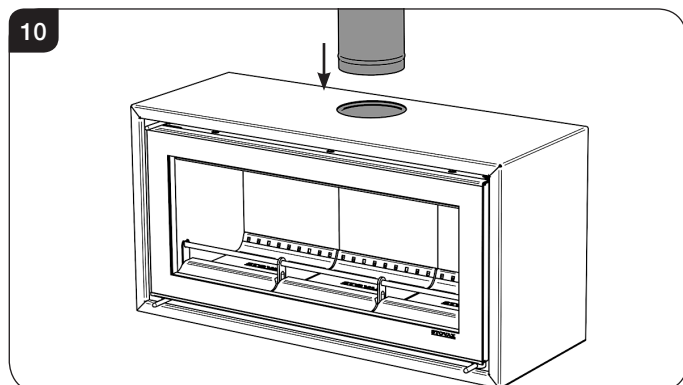


6. Optional Decorative Flue Cover

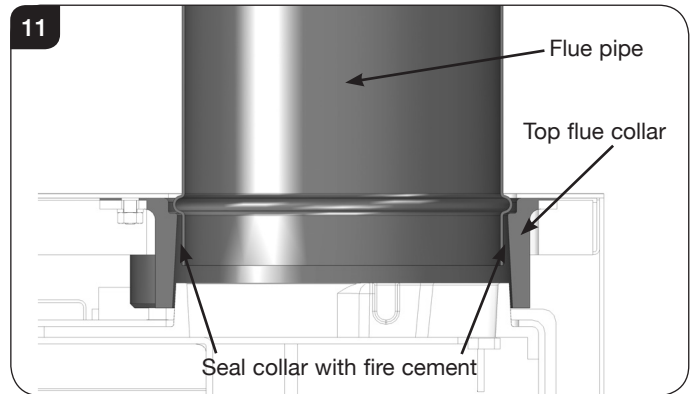
This appliance can be supplied with an optional decorative flue cover. Please refer to the instructions supplied with the flue cover for installation guidance (PM504).

7. Top Flue Installation

- 7.1 If not already fixed to the hearth, move appliance into position, taking care not to damage the hearth finish.
- 7.2 Connect appliance to chimney using flue pipe.
- 7.3 Install first length of flue pipe crimped end down, inside gather collar.
- 7.4 Rivet flue pipe in 3 places around gather collar.
- 7.5 Place bottom flue spider bracket around gather flue pipe collar, secure in position by tightening up coach bolt/screw (supplied).
- 7.6 Install second length of the flue pipe crimped end down and fix by riveting in at least 3 places around the flue pipe joint.
- 7.7 Install first length of the flue pipe casing by positioning on installed bottom flue spider bracket crimped end up.
- 7.8 Position flue spacer at the flue pipe joint.
- 7.9 Repeat steps 1 - 4 to the required flue height.
- 7.10 Seal the connecting joints.



The flue must be installed in accordance with the manufacturers instructions.



- 7.11 From the top of the appliance, place a generous amount of fire cement inside the top flue collar.
- 7.12 Insert the 612mm long flue pipe into the flue collar so that the bulge is inside the flue collar and resting on the ledge.

Note: The Top Flue Connection should meet the requirements of AS/NZS2918:2001 Section 4 with a flue shield fitted in accordance with section 4.5.2.

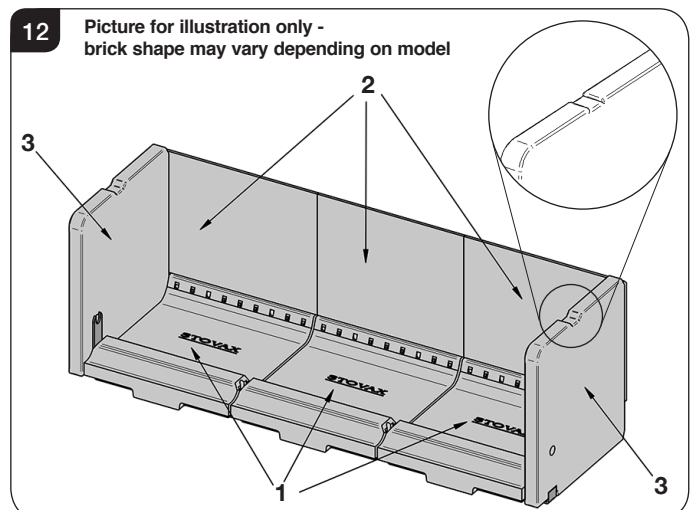
8. Fitting of Internal Components

Once the inner box has been installed the internal components can be fitted.

- 8.1 The firebricks must be fitted before the baffle components.

Firebricks

- 8.2 The Firebricks and Lower Baffle bricks are supplied in a box for safe transportation. It is advisable to carefully remove all of the bricks from the container in order to correctly identify the various types.
- 8.3 The side bricks have part of the Log bar supports attached. These must be fitted and removed at the same time as the bricks.
- 8.4 Install in the following order, see Diagram 12.
Take care when handling and do not force into position.



Installation Instructions

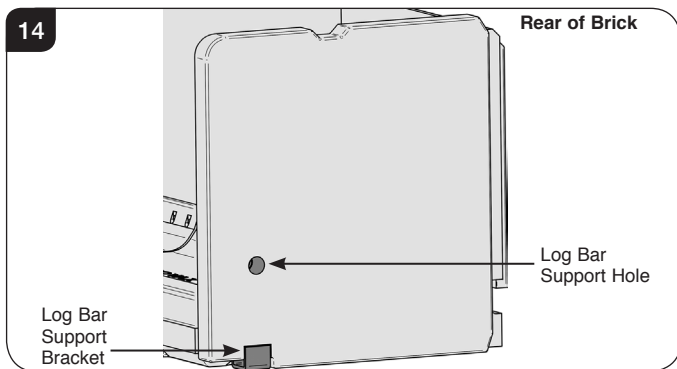
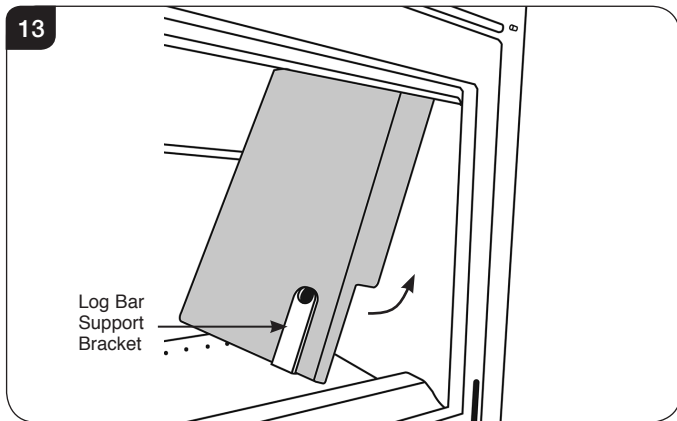
8.5 To do this:

All Models

- Place the base bricks in the firebox (1).
Fit the left and right hand base bricks, then the middle.
- Place the back bricks in position on top of the base bricks (2).
- Fit the side bricks (3) with the Log Guard Supports in place. The Log Bar Support holes can be used as a finger hold - follow the method for the relevant model.

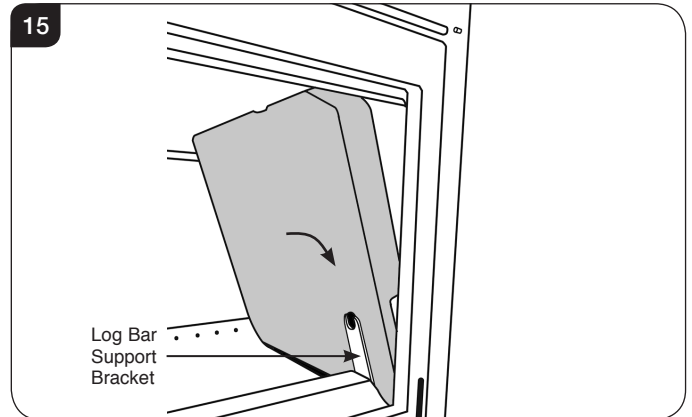
Studio 1

Tilt the brick at an angle and feed the top edge up and into the gap at the top of the firebox.
Straighten the brick in this position and lower into the gap between the side of the inner box and the base brick ensuring the Log Bar Support remains in place, see Diagram 13 and 14.



Studio 2 & 3

Tilt the brick at an angle and feed the lower edge down into the gap between the base brick and the side of the inner box.
Straighten the brick in this position and drop into place ensuring the Log Bar Support remains in place, see Diagram 14 and 15.



- 8.6 Repeat for the other side.
- 8.7 Removal is the reverse of this procedure.
Allow the appliance to cool fully before removing baffle system.

Do not modify firebricks.
Do not operate with firebricks removed.

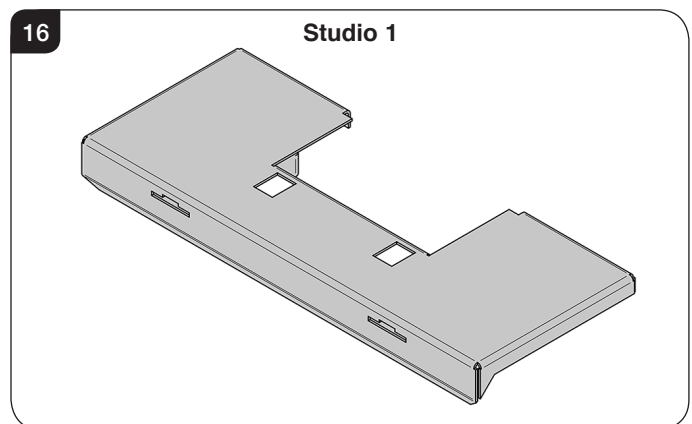
Upper Metal Baffle

The appliance is fitted with baffles in the top of the firebox to maintain efficient combustion.

Studio 1 has 1 baffle.
Studio 2 has 2 baffles.
Studio 3 has 3 baffles.

- 8.8 Once the firebricks have been fitted it is possible to install the metal Top Baffles.

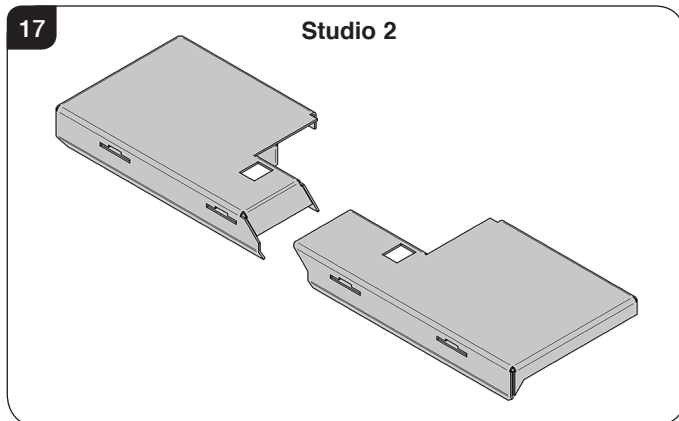
Studio 1



These models have a single section baffle.

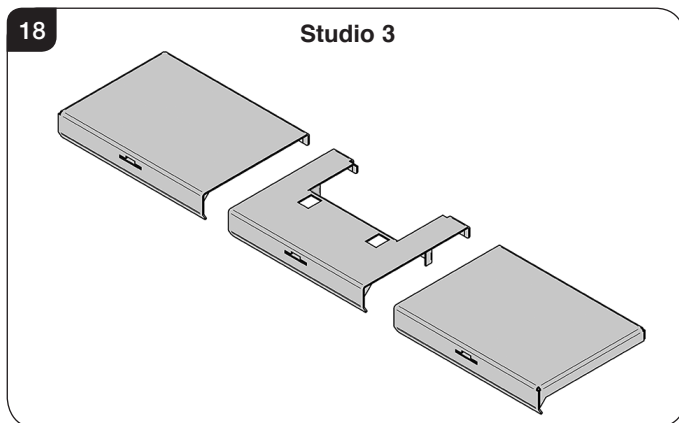
Installation Instructions

Studio 2



The Studio 2 baffle comes in two sections. Fit the right hand side baffle first. The method is the same for both sections.

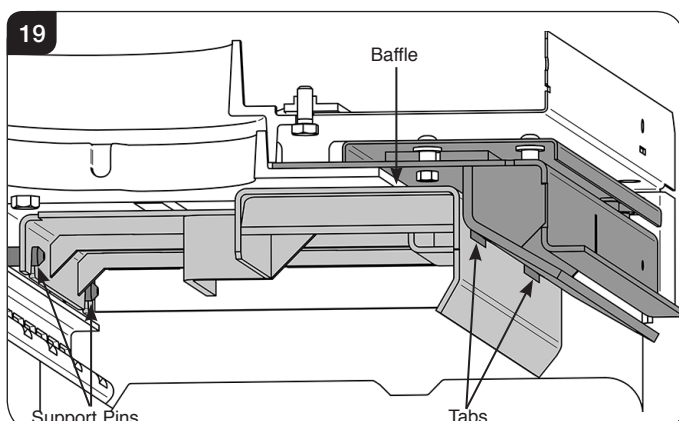
Studio 3



The Studio 3 baffle comes in three sections. To fit the baffle system the baffles must be placed in the firebox in the following order:
Right Hand side
Middle
Left hand side
The method of fitting is the same for all sections.

All Models

8.9 Use two hands and place the rear edge of the baffle over the support pins at the back of the firebox. Raise the front so it is level and pull the baffle forwards to the front of the appliance and locate the keyslots in the front lip over the tabs at the top of the inner box, see Diagram 19.



8.10 The baffle system is designed to give safe and efficient operation of the stove. Replace damaged baffles immediately.

8.11 **Do not modify the baffle system.**
Do not operate with the baffle system removed.

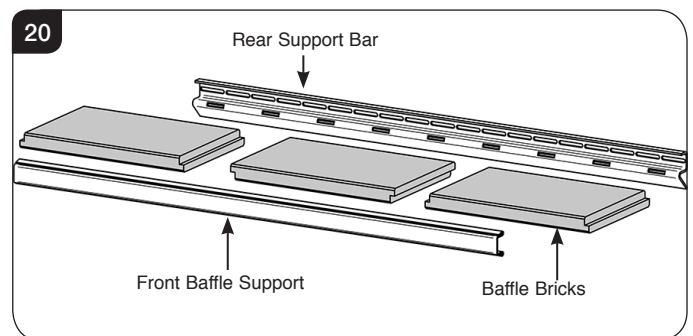
Lower Baffle bricks

The appliance is fitted with baffles in the top of the firebox to maintain efficient combustion.

8.12 To fit the Lower Baffle Bricks feed the Front Baffle Support bar into the appliance and rest on top of the side bricks. This is best done by feeding one end of the bar towards the back of the firebox at an angle and then inserting the other end.

8.13 Once the support bar is inside the firebox bring forward as far as possible and place on the side bricks with the solid edge facing forward.

8.14 Insert the baffle bricks (see table) ensuring they are in the correct orientation, see Diagram 20.



Model	Baffle Number
Studio 1	3
Studio 2	3
Studio 3	4

8.15 To do this:

- Rest the rear edge of the bricks on the support bar at the back of the firebox.
- Fit the two side bricks first, then insert the middle brick and support.
- Fit the Front Baffle Support over the front edge of the baffle bricks to hold in place.
- The Front Baffle Support

Do not modify baffle bricks.
Do not operate with baffle bricks removed.

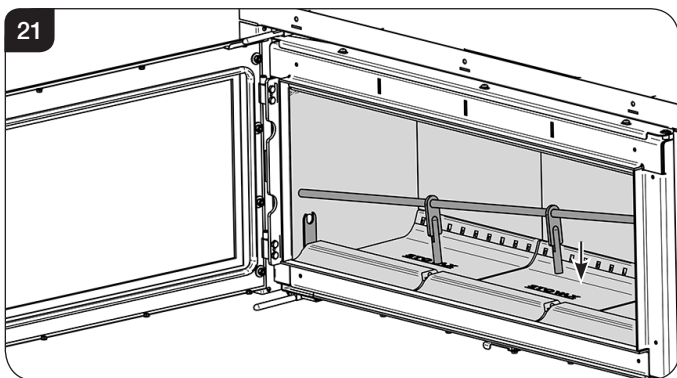
Installation Instructions

Log Guard

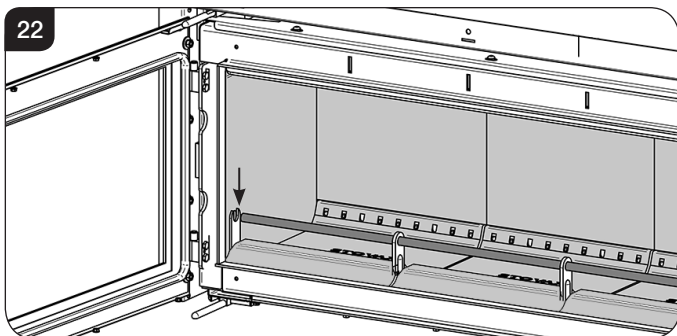
8.16 Ensure that the side supports have been fitted at the same time as the side Firebricks

To fit the Log guard:

- Insert the Log Guard through the front of the appliance at an angle and rotate.
- With one end raised place the other end into one of the holes in the side bricks.
- Lower the Log Guard and insert the supports into the gaps between the base bricks and into the retaining brackets, see Diagram 21.



- Slide the Log Guard across so both ends locate evenly in the holes in the side bricks, see Diagram 22.



Do not use appliance without the log guard in position.

9. CO Alarms

All open flued appliances can be affected by temporary atmospheric conditions which may allow fumes to enter the house. **It is recommended that whenever a new or replacement fixed solid fuel or wood/biomass appliance is installed in a dwelling a carbon monoxide alarm be fitted in the same room as the appliance.**

Provision of an alarm must not be considered a substitute for either installing the appliance correctly or ensuring regular servicing and maintenance of the appliance and chimney system.

It is also recommended that a Smoke Alarm should be fitted in a suitable location.

Commissioning

1. Commissioning

1.1 To commission:

- Ensure all internal components (log guard, baffle(s), bricks) are correctly fitted.
- Check the door alignment and catch operation, adjust if required (see Maintenance and Servicing, Section 5).
- Check the soundness of door seals, castings and flue connections.
- Check the operation of the air control.

1.2 Now carry out a final smoke draw test:

- First warm the flue with a blowlamp, or similar, for about 10 minutes.
- Place a smoke pellet on the centre of the base bricks, with the air controls open.
- Close the door. Smoke should now be drawn up the flue and be seen to exit from the flue terminal.
- Complete test with all doors and windows closed in the room where the appliance is fitted.
- If there are any extractor fans in adjacent rooms, the test must be repeated with the fans running on maximum and interconnecting doors open.
- Check the effect of ceiling fans during the test.

If the test fails, re-check the suitability of the flue system and ventilation. **An inadequate air supply to the room is potentially dangerous.**

- Light the appliance and slowly increase the temperature to normal operating levels.
- Ensure no combustion products enter the room.
- Open the main fire door when the appliance reaches normal operating levels and carry out a spillage test with a smoke match or pellet around the door opening.

1.3 If excessive spillage occurs:

- Allow the appliance to cool and re-check the flue system and ventilation.

1.4 Finally:

- **Explain the safe operation of the appliance and the use of the controls to the user and the importance of only using suitable fuels.**
- **Explain the cleaning and routine maintenance requirements.**
- **Explain the requirement to use a suitable fireguard when children, elderly or infirm persons are near the appliance.**

– **Record dealer/supplier details and installer details on page 2 of this manual.**

– **Record serial number in page 3 of this manual.** This number is required when ordering spare parts and making warranty claims.

– **Give this instruction manual to the customer.**

Maintenance & Servicing

For a complete list of spare parts and accessories contact your Stovax or call 01392 474011

1. Annual Service

- 1.1 Before the start of the heating season strip, inspect and clean the appliance as detailed:
- Allow appliance to cool.
 - Remove all internal parts: baffle, log guard and firebricks. Take care handling firebricks as they can become fragile after a period of use.
 - Sweep the appliance at this point if necessary.
 - Vacuum clean any remaining ash and debris from the inside of the appliance. Stovax offer a filter/collection attachment for vacuum cleaners to protect them from fire ash: Ash Clean (Stovax Part No. 2091).
 - Check the parts for any damage. Replace any damaged parts using genuine Stovax replacements parts.
 - Check and clean the firebricks with a soft brush. Some surface damage will occur during use. The life of the bricks will depend on the type of fuels burnt and the level of use. **Replace damaged bricks as soon as possible.**
 - Re-fit cleaned internal parts.
 - **On appliances with printed glass do not use cleaning agents that have a high alkaline or acidic content, for example Stovax Gel Cleaner, these are aggressive cleaning agents designed to be used with heavily stained clear glass. On printed glass surfaces, use Stovax Glass Cleaner (Stovax No.4103) which is better formulated for this application.**
- Do not use abrasive cleaners to remove tar or soot deposits from the glass.**
- Fit new door rope seal (see *Maintenance and Servicing, Section 3*).
 - Lightly oil the door catch mechanism and hinge pins. Avoid getting oil onto the door seals and glass.
 - To refresh painted finishes a touch up spray is available. Contact your Stovax retailer quoting the serial number found on the appliance data badge.

- 1.2 Use genuine Stovax replacement parts to keep the appliance in safe, efficient working order. This is a list of the maintenance products that may need be required:

Task	Product name
Preventing build-up of creosote in flue	Protector (15 sachets)
	Protector (1kg tub)
Sealing flue pipe joints	Fire Cement (500g tub)
	Fire Cement (600g cartridge)
Re-painting	Riva Midnight Black (150ml aerosol)
Protecting your hands	Heat resistant leather gloves
Thermic seal glue	(50ml bottle)
Cleaning Glass	Stovax Glass Cleaner (No. 4103)
	Stovax Gel Cleaner
Ash Clean	Vacuum Cleaner Attachment

These products, available online at www.stovax.com or from your local Stovax dealer, along with regular maintenance and use of correct fuels, will keep the appliance in the best possible condition.

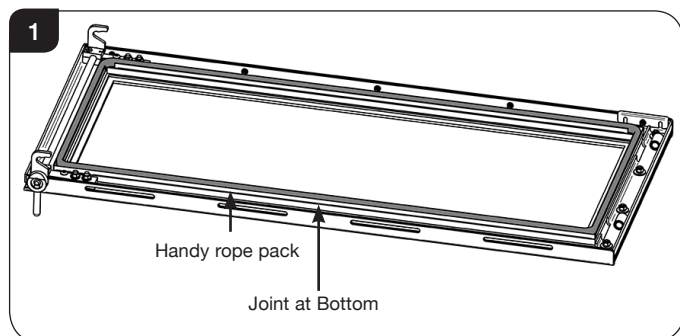
- 1.3 For more information about the Stovax Group products please visit our web site at www.stovax.com.
- 1.4 Burn at a low temperature for the first day of use after any maintenance. This allows the seals, fixing glues and paint to fully cure.
- 1.5 During this time the appliance may give off some unpleasant odours. Keep the room well ventilated to avoid a build-up of fumes.
- 1.6 Your Stovax dealer can carry out service and maintenance.

2. Removal of Internal Parts

- 2.1 To service and maintain the good working condition of your appliance it will be necessary to remove several internal parts. Consult the section for the following:
- Door Assembly** - Removing Internal Components Section 2, page 8.
- Upper Baffles** -Removing Internal Components Section 4, page 9.
- 2.2 Reverse the method of installation to remove the **Lower Baffle Bricks, Firebricks** and the **Log Guard** see Installation Section 8.

Maintenance & Servicing

3. Fitting a new Door Seal - All Models



- 3.1 To maintain the safe use of your appliance you need to replace damaged or worn door sealing rope. To complete this operation remove the door see Section 2 in the Pre-Installation section.
- 3.2 Remove the old rope and scrape old glue from the locating groove. Clean the locating groove with a clean dry cloth to remove all old dust and debris.
- 3.3 Squeeze a generous bead of fresh Stovax Thermic Seal glue into the rope locating groove.

Press the new Stovax rope into the locating groove, placing the joint in the middle of the bottom edge of the door using tape supplied for the ends.
- 3.4 Refit the door and close the door to apply pressure to the new rope.

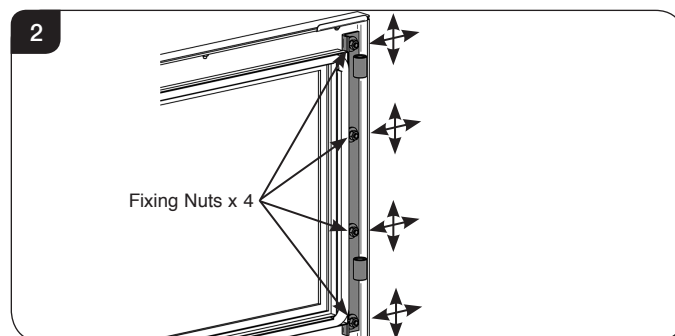
Leave the appliance closed for at least 12 hours before lighting the appliance and using at a low output for approximately one day.
- 3.5 Using the appliance with a damaged door seal can cause dangerous fumes to enter the room, or the appliance to over fire, resulting in damage.

4a. Adjusting Door Hinges - Studio 1 & 2

- 4a.1 To maintain the safe use of your appliance, you may need to adjust the door hinges to ensure the safe, correct closing of the door. The door must be horizontal/level with the top of the inner box and the door catch engages correctly.
- 4a.2 Adjustment is possible in 2 places:
Door Hinge Assembly
Hinge Blocks on Inner Box
- 4a.3 Open the door to give access to these 2 positions.

Door Hinge Assembly

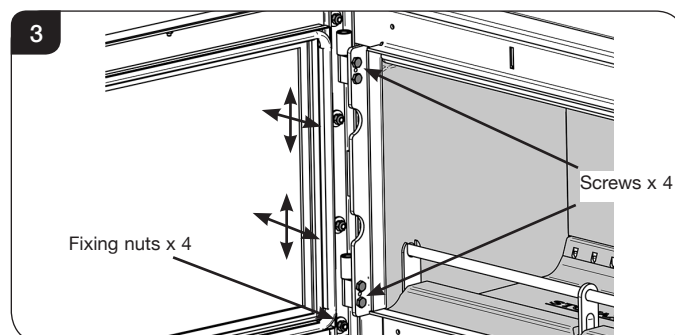
- 4a.4 Use a 10mm socket to slightly loosen the fixing nuts on the Door Hinge Assembly, see Diagram 2.



- 4a.5 Loosening the Door Hinge Assembly allows for fine vertical and horizontal adjustment of the door position. This may require a trial and error approach to find the correct position. Ensure the door is horizontal before tightening the fixing nuts.

Hinge Blocks on Inner Box

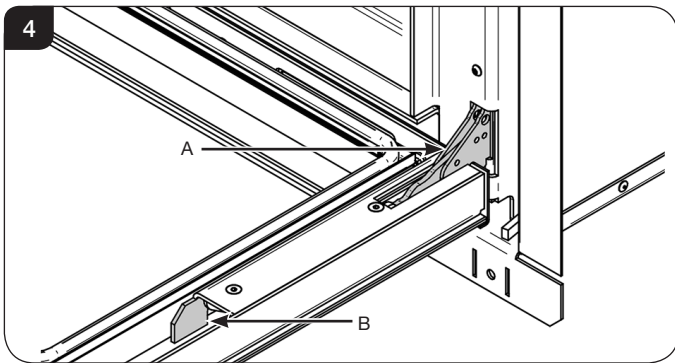
- 4a.6 Using a 10mm A/F spanner slightly loosen the fixing nuts inside the stove as shown in Diagram 3. This will give vertical and horizontal adjustment which may need a trial and error approach to find the correct position. The door must be horizontally level.



Maintenance & Servicing

4b. Lubricating Door Hinges - Studio 3 only

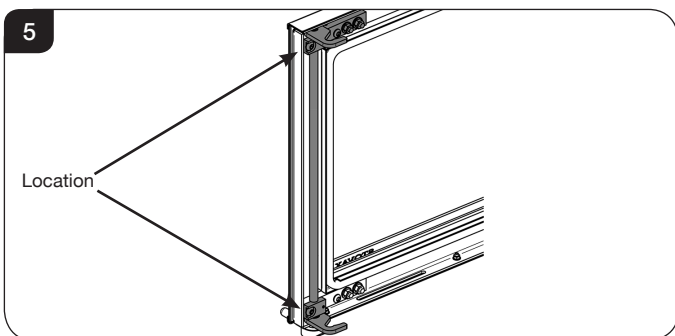
- 4b.1 If the operation of the door becomes stiff or fails to close properly it may be necessary to apply grease to the door hinge.
- 4b.2 Complete lubrication of the hinges as follows:
- Open the door fully.
 - Use a small paint brush to add a small amount of high temperature anti-seize grease (Stovax part number - RVS-MEC10275) to points 'A' and 'B', see Diagram 4.



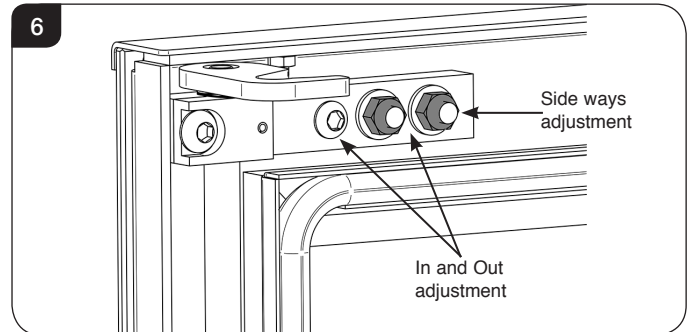
- 4b.3 Open and close the door a few times to work the grease into the hinge to return it to smooth operation.

5a. Adjusting the Door Catch - Studio 1 & 2

- 5a.1 To maintain the safe use of your appliance you may need to adjust the door catch to ensure the safe, correct closing of the door. If the door hinges have been adjusted the door catch may need adjustment.
- 5a.2 The catches are located at the top and the bottom of the right side of the door.



- 5a.3 The top and bottom catches will need to be adjusted separately and in the same manner. The catch block can move in two directions, see Diagram 6, 7 & 8.



Sideways Adjustment

Using a 10mm A/F Spanner loosen the 2 nuts that hold the catch block to the door.

Do not remove the nuts completely.

This will allow some movement left or right to suit.

Tighten the nuts and recheck the catch operation.

In and Out Adjustment

Loosening or tightening the M6 screw and the nuts on the catch block will cause the catch to move in or out from the door and allow the hook to gain better purchase on the door rollers.

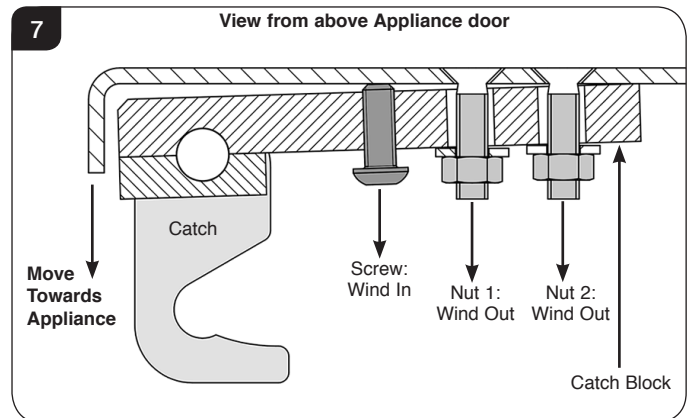
Do not remove screw or nuts completely.

- 5a.4 **To move Door Catch in:**

Loosen Nuts 1 & 2.

Wind screw **IN** until the Door Catch is in desired position.

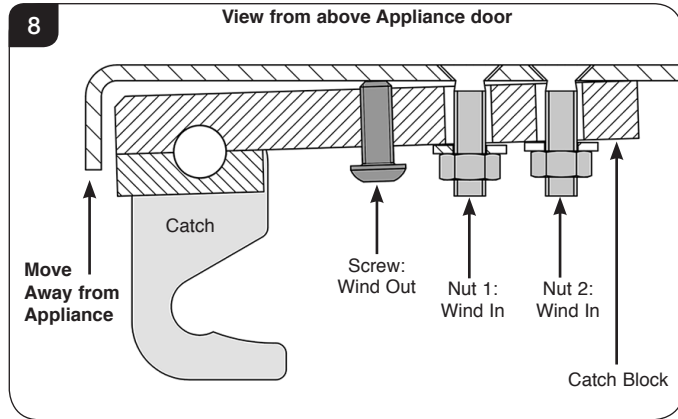
Tighten Nuts 1 & 2 down to Catch Block.



Maintenance & Servicing

5a.5 To move Door Catch out:

Loosen Nuts 1 & 2.
Wind screw **OUT** until the Door Catch is in desired position.
Tighten Nuts 1 & 2 down to Catch Block.



Do a Paper Test

To do a paper test shut a piece of paper in the door at the edges to test how well the rope seal stops the air from entering the appliance. If the paper can be pulled out easily then the seal is not sufficient and the rope must be replaced. Repeat this around all the edges of the appliance.

5b. Adjusting the Door Catch - Studio 3

5b.1 There is no user adjustment of the door.

6. Removal of the Firebricks

Depending on the model purchased it may be necessary to remove additional parts of the appliance when servicing to access the firebricks.

Studio 1

It is possible to remove the firebricks with the Upper Metal Baffle in place.

Remove the following:

Log Guard

- Slide the Log Guard to one side to disengage from the hole in the side brick.
- Raise the free end and remove from the gaps in the base bricks.
- Withdraw from the hole in the other side brick and rotate the Log Guard through the front of the appliance.

Baffle Bricks

Pull the Front Baffle Support off the baffle bricks and move as far forward as possible.
Carefully remove the bricks working from the centre outwards.

Angle the Front Baffle Support to free from the firebox.

It is now possible to remove the Firebricks.
Lift the side bricks using the Log Guard support slots as finger holds and clear the base bricks; angle the bottom of the side brick towards centre of the firebox and withdraw.

Remove the back bricks, then the base bricks.

Studio 2 & 3

It is necessary to remove the Baffle Bricks and the side Upper Metal Baffles before attempting to remove the firebricks to avoid damage, see *Pre-Installation Section*.

Lift the side bricks slightly using the Log Guard support slots as finger holds; tilt the top of the side brick towards centre of the firebox and continue lifting to withdraw.

Remove the back bricks, then the base bricks.

Technical Appendix

1. Legal Requirements

Before installation and/or use of this appliance please read these instructions carefully to ensure that all requirements are fully understood.

The appliance must be fitted by a registered installer*, or approved by your local building control officer.

It is very important to understand the requirements of the national Building Regulations and standards, along with any local regulations and working practices that may apply. Should any conflict occur between these instructions and these regulations then the regulations must apply.

Your local Building Control Office can advise regarding the requirements of the regulations.

Works must be carried out with care to meet the requirements of Health and Safety and comply with the Health and Safety rules, and any new regulations introduced during the lifetime of these instructions. Particular attention should be drawn to:

- Handling: The appliance is heavy. Adequate facilities must be available for loading, unloading and on site handling.
- Fire Cement: Some fire cement is caustic and must not come into contact with the skin. Protective gloves must be worn. Wash hands thoroughly with plenty of water after contact with skin.
- Asbestos: This appliance contains no asbestos. If there is the possibility of disturbing any asbestos in the course of installation seek specialist guidance and use appropriate equipment.
- Metal Parts: Take care when installing or servicing the stove to avoid personal injury.

A faulty installation can cause danger to the inhabitants and structure of the building.

For users of this appliance:
Your building insurance company may require you to inform them that a new heating appliance has been installed on your property. Check that your cover is still valid after installing the appliance.

DESIGN PROTECTION

The Studio design, including it's frames and accessories, are protected by European Design Registration No. 001169338 0002 0008.

WARRANTY

For purchases outside of the United Kingdom, Republic of Ireland, France, Belgium and the Netherlands, please consult you Stovax retailer for the Warranty available in your region.

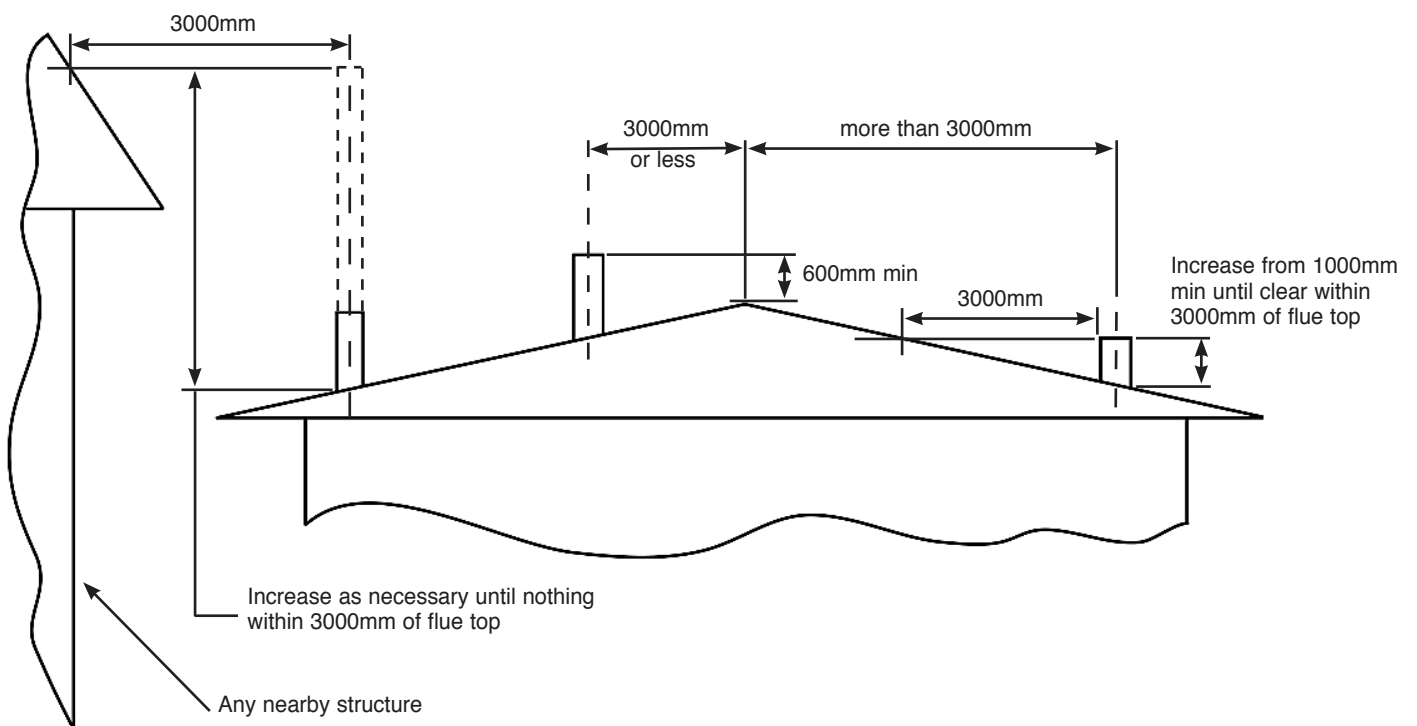
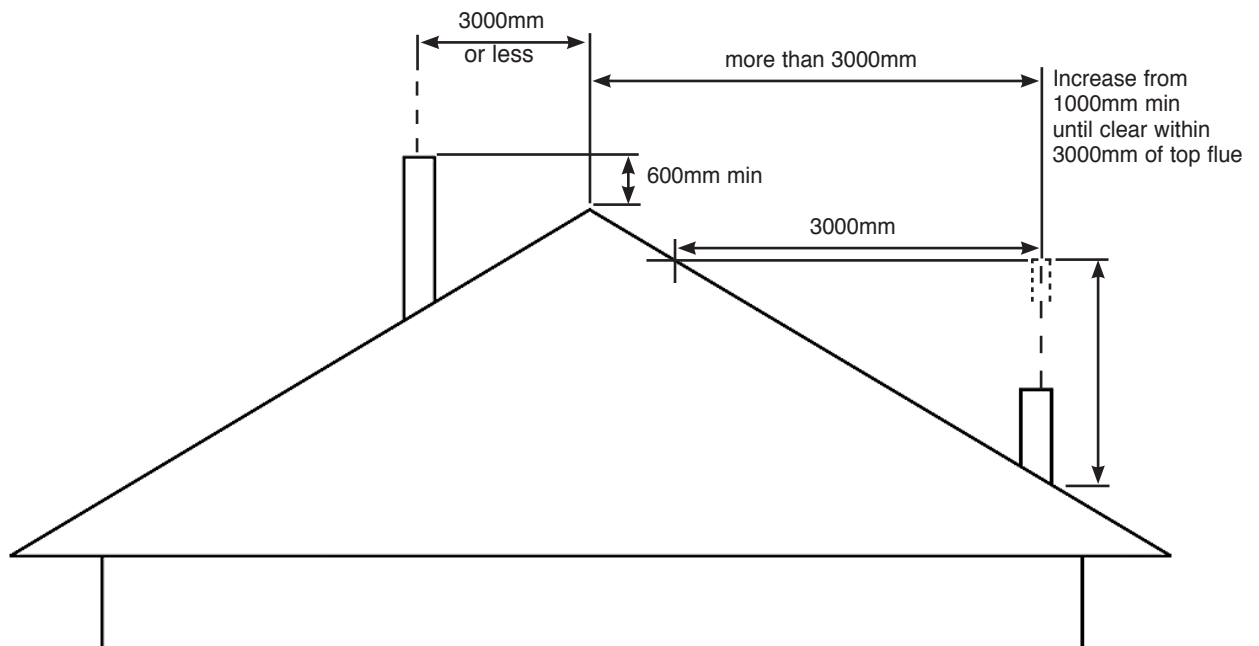


*An installer licensed by the AHHA (Australian Home Heating Association) conforming to AS/NZ 2918:2001 or by a licensed S.F.A.I.T installer in New Zealand

Technical Appendix

2. Flue Outlet Positions

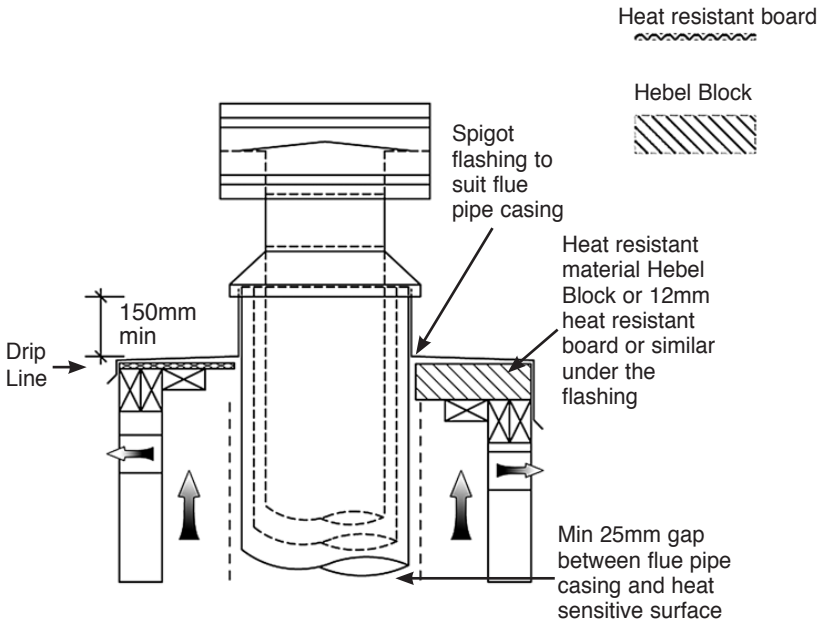
Minimum Flue Height as per AS/NZS 2918:2001



Technical Appendix - Flues

External Requirements
Refer to AS/NZS 2918:2001;4.9.1

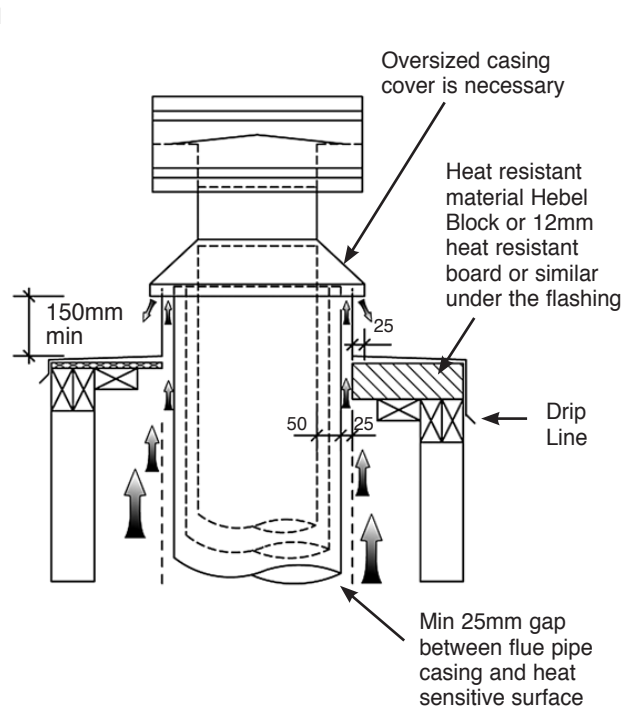
Air Ventilation Through Chimney Chase



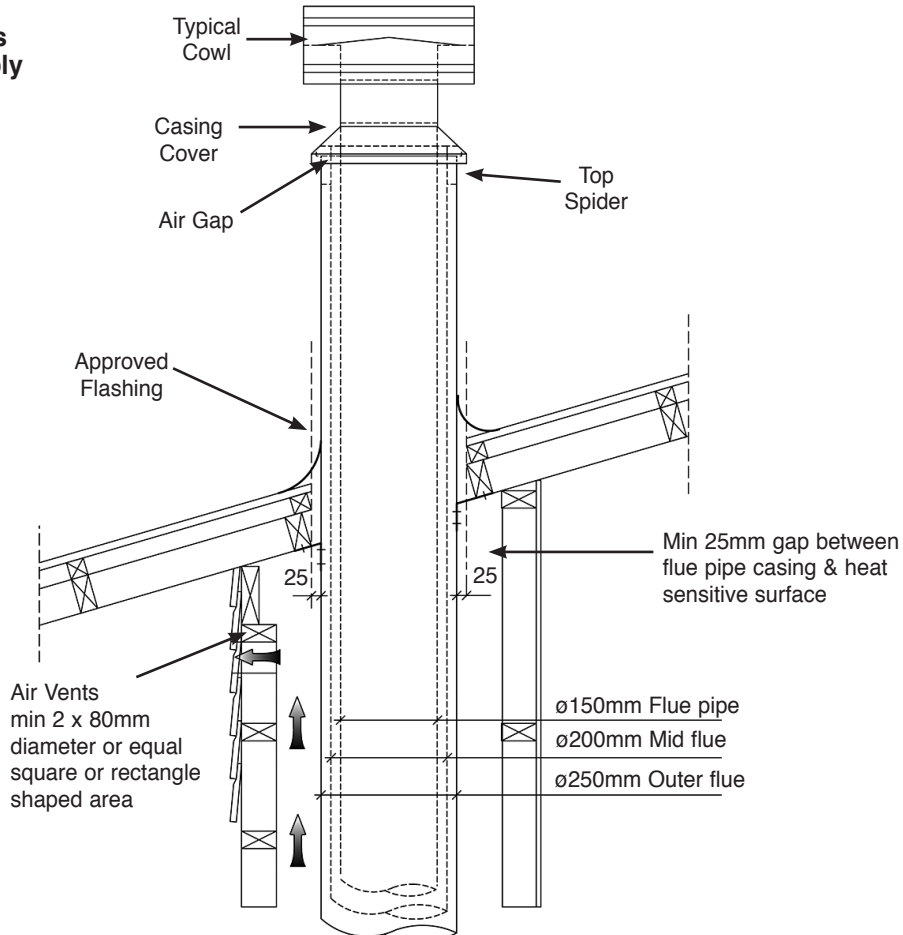
Air Vent

Minimum 2 x 80mm diameter or equal square or rectangle shaped area

Air Ventilation Through Top Flashing



The flue system and its installation must comply with AS/NZS 2918:2001



Note: All external air vents & ceiling penetrations must be bird & rodent proofed with permanently fixed screens

Flues - Technical Appendix

3. Flues and Chimneys

- 3.1 **WARNING: THE APPLIANCE AND FLUE-SYSTEM SHALL BE INSTALLED IN ACCORDANCE WITH AS/NZS 2918 AND THE APPROPRIATE REQUIREMENTS OF THE RELEVANT BUILDING CODE OR CODES.**
- 3.2 **WARNING: APPLIANCES INSTALLED IN ACCORDANCE WITH THIS STANDARD SHALL COMPLY WITH THE REQUIREMENTS OF AS/NZS 4013 WHERE REQUIRED BY THE REGULATORY AUTHORITY, I.E. THE APPLIANCE SHALL BE IDENTIFIABLE BY A COMPLIANCE PLATE WITH THE MARKING 'TESTED TO AS/NZS 4013'.**
- 3.3 **ANY MODIFICATION OF THE APPLIANCE THAT HAS NOT BEEN APPROVED IN WRITING BY THE TESTING AUTHORITY IS CONSIDERED TO BE IN BREACH OF THE APPROVAL GRANTED FOR COMPLIANCE WITH AS/NZS 4013.**
- 3.4 **CAUTION: MIXING OF APPLIANCE OR FLUE-SYSTEM COMPONENTS FROM DIFFERENT SOURCES OR MODIFYING THE DIMENSIONAL SPECIFICATION OF COMPONENTS MAY RESULT IN HAZARDOUS CONDITIONS. WHERE SUCH ACTION IS CONSIDERED, THE MANUFACTURER SHOULD BE CONSULTED IN THE FIRST INSTANCE.**
- 3.5 The flue or chimney system must be in good condition. It must be inspected by a competent person and passed for use with the appliance before installation.
- Products of combustion entering the room can cause serious health risks.
- 3.6 You must check the following:
- The construction of masonry chimneys, flue block chimneys and connecting flue pipe system must meet the requirements of the Building Regulations and the rules in force.
 - A flexible flue liner system must be certified for use with solid fuel systems and installed to Building Regulations and the manufacturer's instructions. The flue liner must be replaced when an appliance is replaced unless proven to be recently installed and in good condition.
 - If it is necessary to fit a register plate it must conform to the Building Regulations and the rules in force.
 - Ensure the connecting flue pipe is kept a suitable distance from any heat sensitive material and does not form part of the supporting structure of the building.
 - Make provision to remove the appliance without the need to dismantle the chimney.
 - Any existing flue must be confirmed as suitable for the new intended use as defined in the Building Regulations and the rules in force.
 - The flue or chimney systems must be inspected and swept to confirm the system is structurally sound and free from obstructions.

- If the appliance is believed to have previously served an open fire the chimney must be swept a second time within a month of regular use after installation to clear any soot falls that may have occurred due to difference in combustion levels.
 - The flue exit from the building must comply with local building control rules.
 - Do not connect or share the flue or chimney system with another heating appliance.
- 3.7 Do not connect to systems containing large voids.
- 3.8 You must provide suitable access to enable the collection and removal of debris.
- 3.9 You must sweep and inspect the flue when the appliance is installed. Note: the design of this appliance allows the chimney to be swept through the appliance.

The following must be adhered to:

AS/NZS 2918:2001:4.9.1

- a) The flue pipe shall extend not less than 4.6m above the top appliance.
- b) The minimum height of the flue system within 3m distance from the highest point of the roof shall be 600mm above that point.
- c) The minimum height of a flue system further than 3m from the highest point of the roof shall be "a minimum" 1000mm above roof penetration.
- d) No part of any building lies in or above a circular area described by a horizontal radius of 3m about the flue system exit.

N.B. in extreme wind areas it may be necessary to consult your local agent for further technical assistance.

- If flue is concealed in a chase, allow for air vents (2 x 80mm diam. or equivalent) at the highest possible point on the chimney chase or alternatively, allow a min 25mm air space between the casing cover spigot and the outer casing.

Ventilation - Technical Appendix

4. Ventilation

- 4.1 Increase air supply provisions where a room contains multiple appliances.
- 4.2 If vents open into adjoining rooms or spaces there must be an air vent of at least the same size direct to the outside.
- 4.3 Site the vents where cold draught is unlikely to cause discomfort. This can be avoided by placing vents near ceilings or close to the appliance (see diagram below).
- 4.4 Additional ventilation is required. This must be provided using a permanently open air vent, of the size listed, which is positioned so that it is not liable to be blocked both inside and outside the building.

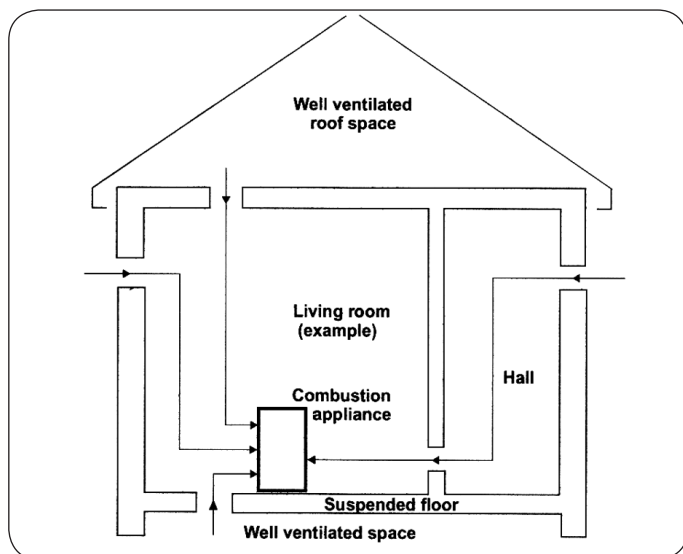


Allowances MUST be made for air replacement vents to be located near the fireplace to aid combustion.

A minimum of one pair of air vents is recommended or one large vent.

Allowance is to be made for a minimum of 2 inlet ducts from outside to internal vent location.

Note: DO NOT USE FIREPLACE CAVITY VENTILATION AS A METHOD OF AIR REPLACEMENT.



- 4.5 Extractor fans or cooker hoods must not be placed in the same room or space as this can cause the appliance to emit fumes into the room.
- 4.6 **If any of these checks reveal problems do not proceed with the fitting of the appliance until they have been rectified.**

5. Minimum Dimensions - Floor Protector

- 5.1 **If the appliance is installed directly onto the floor** it must stand on a heat resistant constructional floor protector of the minimum dimensions shown and meet the requirements of AS/NZS 2918:2001, section 3.3.
- 5.2 The building must have a suitable load-bearing capacity for the floor protector and appliance. Consult a structural engineer for advice before proceeding.
- 5.3 When fitting into an existing floor protector check that the floor protector complies with current construction regulations and is at least the minimum sizes shown.
- 5.4 If there is no existing fireplace or chimney it is possible to construct a suitable heat resistant housing and floor protector setting. The flue must be installed in accordance with all local and national regulations and current rules in force.

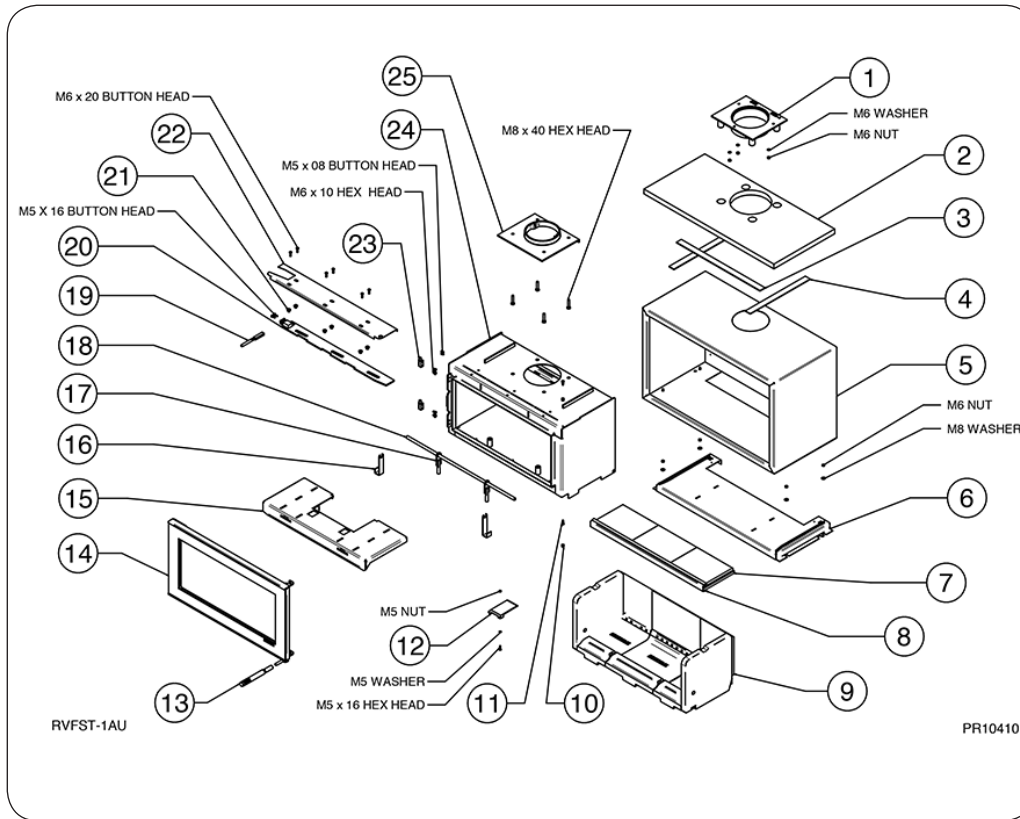
6. Fire Surround Clearances

If the appliance is to be fitted with a fire surround use the **minimum** clearances (see diagram, Section 4) between any point of the appliance and any heat sensitive material. Stovax produce a selection of surrounds and details can be obtained from your local supplier.

- 6.1 We recommend you obtain expert advice before proceeding with work of this nature.
 - 6.2 Some finishes may discolour with heat and some lower quality products may distort, or crack, when in use.
- If stone / granite / marble or any other natural material is used to construct the fire surround, or any part of it, provision should be made for expansion and movement of the parts due to heating and cooling.**
- If you are in any doubt about the installation requirements, or suitability of fire surrounds contact your Stovax dealer.**
- 6.3 All fire surrounds should be suitable for use with solid fuel heating products.

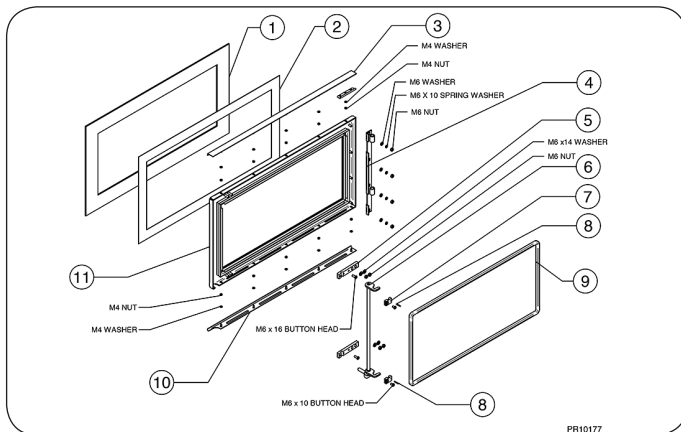
Basic Spare Parts

RVFST-1HTAU Studio 1



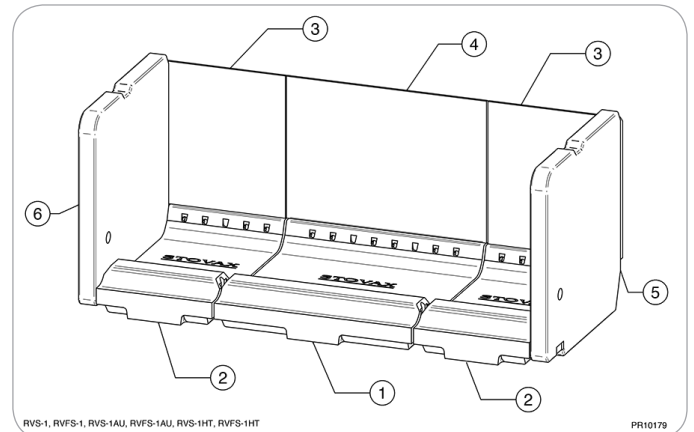
Ref. No.	Description
1	TOP COLLAR
2	TOP INSULATION
3	INSULATION SUPPORT STRIP (MIDDLE)
4	INSULATION SUPPORT STRIPS
5	FREESTANDING WELDED BOX ASSEMBLY
6	INTERNAL BASE ASSEMBLY
7	BAFFLE BRICK
8	BRICK BAFFLE SUPPORT
9	WOOD BRICK ASSEMBLY SKAMOL
10	CATCH ROLLER PIN
11	CATCH ROLLER
12	DATA PLATE MOUNT
13	TOOL HANDLE
14	DOOR ASSEMBLY
15	TOP BAFFLE ASSEMBLY
16	LOG GUARD END SUPPORT
17	LOG GUARD SUPPORT ASSEMBLY
18	LOG GUARD
19	AIRWASH HANDLE
20	AIRWASH SLIDER
21	AIRWASH SPACER
22	AIRWASH SLIDER COVER
23	HINGE BLOCK ASSEMBLY
24	INTERNAL BOX ASSEMBLY
25	LOWER COLLAR

DOOR ASSEMBLY



Ref. No.	Description
1	STUDIO 1 DOOR GLASS
2	GLASS ROPE
3	TOP GLASS CLAMP ASSEMBLY
4	HINGE ASSEMBLY
5	LOWER CATCH BLOCK
6	DOOR CATCH ASSEMBLY
7	UPPER CATCH BLOCK
8	SPIROL PIN Ø3 X 18LG
9	DOOR ROPE
10	BOTTOM GLASS CLAMP
11	DOOR FRAME ASSEMBLY

BRICK ASSEMBLY

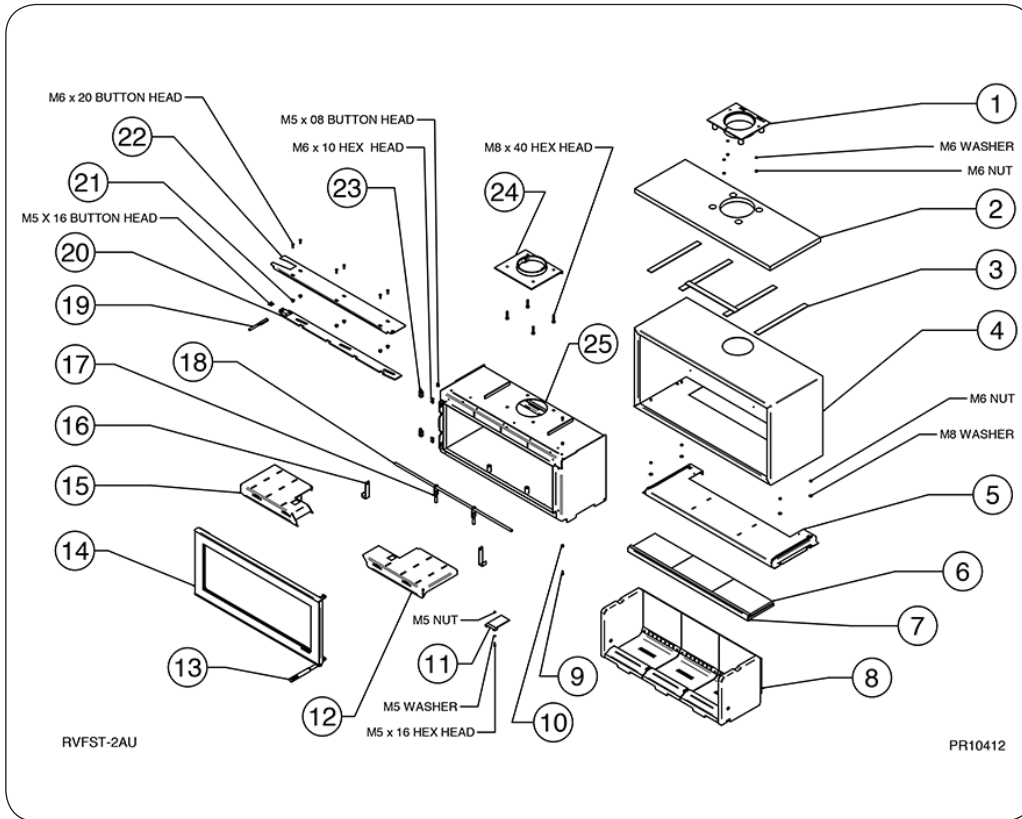


Ref. No.	Description
1	BASE CENTRE BRICK
2	BASE SIDE BRICK
3	REAR SIDE BRICK
4	REAR CENTRE BRICK
5	SIDE BRICK RIGHT HAND SIDE
6	SIDE BRICK LEFT HAND SIDE

Due to continual technical improvements please check online at www.stovax.com or with your Stovax retailer for the most up to date parts lists.

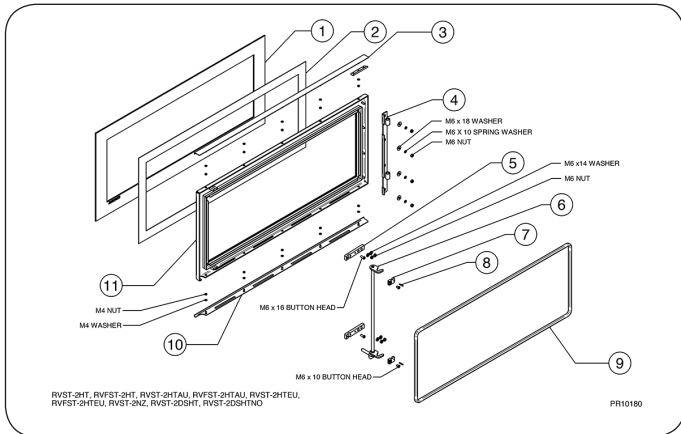
Basic Spare Parts

RVFST-2HTAU Studio 2

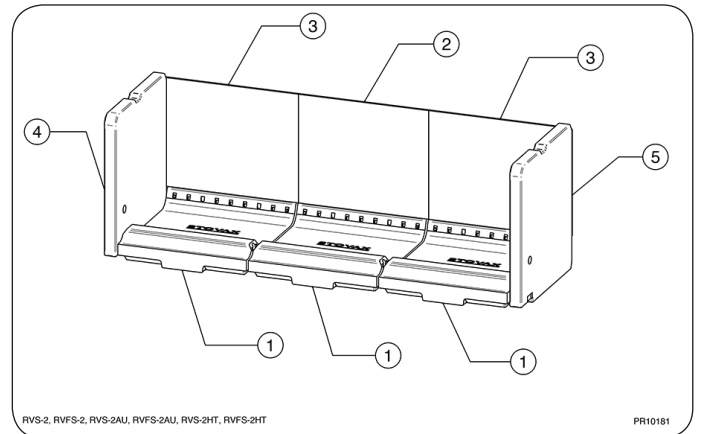


Ref. No.	Description
1	TOP COLLAR
2	TOP INSULATION
3	INSULATION SUPPORT STRIPS
4	FREESTANDING WELDED BOX ASSEMBLY
5	INTERNAL BASE ASSEMBLY
6	BAFFLE BRICK
7	BRICK BAFFLE SUPPORT
8	BRICK ASSEMBLY
9	CATCH ROLLER
10	CATCH ROLLER PIN
11	DATA PLATE MOUNT
12	TOP BAFFLE RHS
13	TOOL HANDLE
14	DOOR ASSEMBLY
15	TOP BAFFLE LHS
16	LOG GUARD END SUPPORT
17	LOG GUARD SUPPORT ASSEMBLY
18	LOG GUARD
19	AIRWASH HANDLE
20	AIRWASH SLIDER
21	AIRWASH SPACER
22	AIRWASH SLIDER COVER
23	HINGE BLOCK ASSEMBLY
24	LOWER COLLAR
25	INNER BOX ASSEMBLY

DOOR ASSEMBLY



BRICK ASSEMBLY



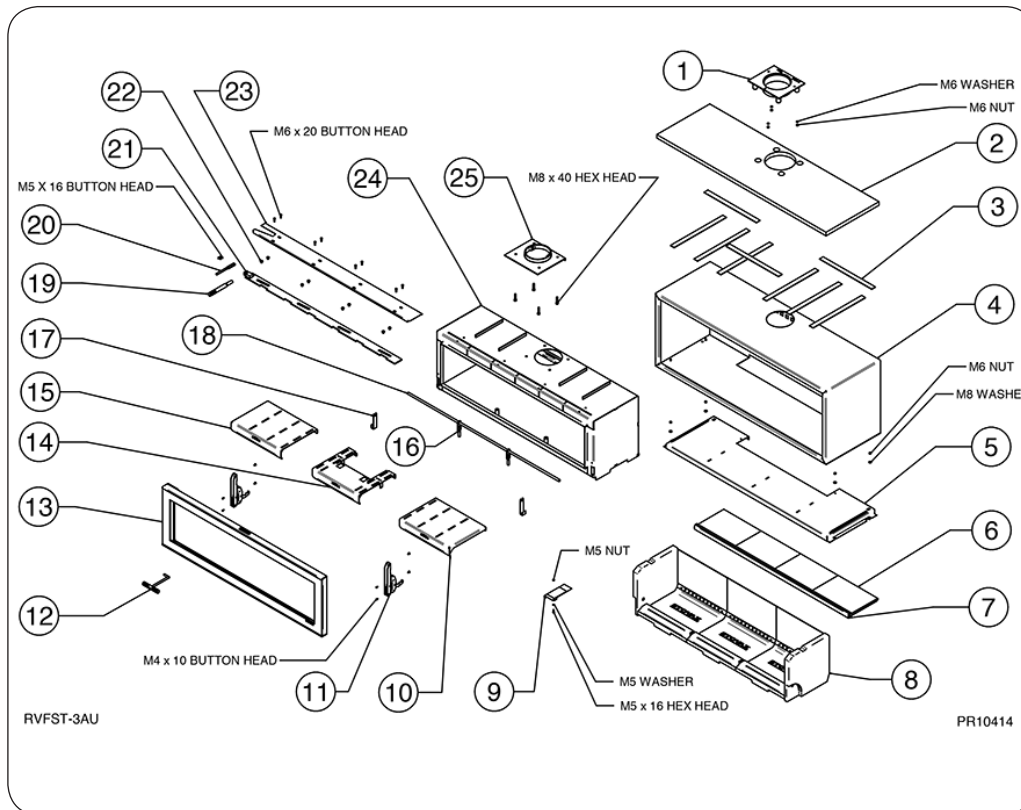
Ref. No.	Description
1	STUDIO 1 DOOR GLASS
2	GLASS ROPE
3	TOP GLASS CLAMP ASSEMBLY
4	HINGE ASSEMBLY
5	LOWER CATCH BLOCK
6	DOOR CATCH ASSEMBLY
7	UPPER CATCH BLOCK
8	SPIROL PIN Ø3 X 18LG
9	DOOR ROPE
10	DOOR FRAME ASSEMBLY
11	BOTTOM GLASS CLAMP

Ref. No.	Description
1	BASE BRICK
2	BACK BRICK
3	BACK BRICK SIDE
4	SIDE BRICK LEFT HAND SIDE
5	SIDE BRICK RIGHT HAND SIDE

Due to continual technical improvements please check online at www.stovax.com or with your Stovax retailer for the most up to date parts lists.

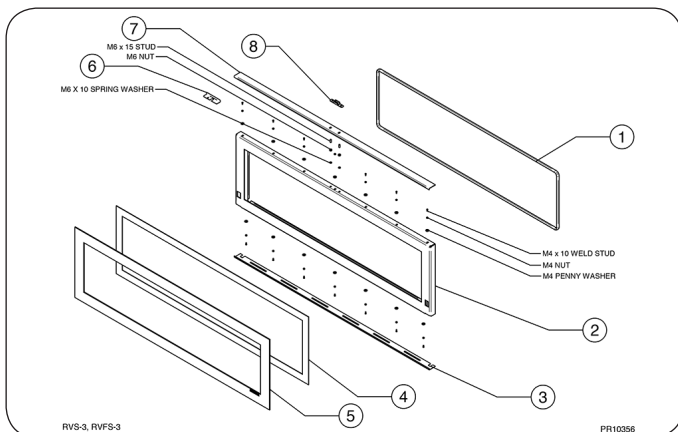
Basic Spare Parts

RVFST-3HTAU Studio 3



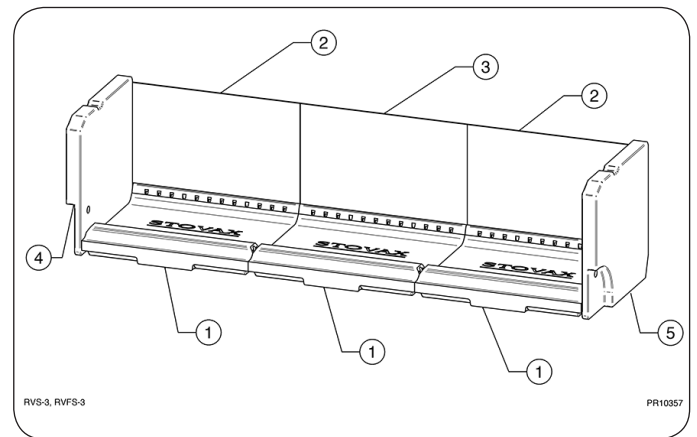
Ref. No.	Description
1	TOP COLLAR
2	TOP INSULATION
3	INSULATION SUPPORT STRIPS
4	FREESTANDING WELDED BOX ASSEMBLY
5	INTERNAL BASE ASSEMBLY
6	BAFFLE BRICK
7	BAFFLE SUPPORT
8	BRICK ASSEMBLY
9	DATA PLATE MOUNT
10	BAFFLE RHS
11	HINGE
12	DOOR TOOL
13	DOOR ASSEMBLY
14	CENTRE BAFFLE
15	BAFFLE LHS
16	LOG GUARD SUPPORT ASSEMBLY
17	LOG GUARD END SUPPORT
18	LOG GUARD
19	TOOL HANDLE
20	AIRWASH HANDLE
21	AIRWASH SLIDER
22	AIRWASH SPACER
23	AIRWASH SLIDER COVER
24	INNER BOX ASSEMBLY
25	LOWER COLLAR

DOOR ASSEMBLY



Ref. No.	Description
1	DOOR ROPE
2	DOOR FRAME ASSEMBLY
3	BOTTOM GLASS CLAMP ASSEMBLY
4	GLASS ROPE
5	STUDIO 3 DOOR GLASS
6	HANDLE SUPPORT
7	TOP GLASS CLAMP
8	DOOR OPENING BLOCK

BRICK ASSEMBLY



Ref. No.	Description
1	BASE BRICK
2	REAR SIDE BRICK
3	REAR CENTRE BRICK
4	SIDE BRICK LEFT HAND SIDE
5	SIDE BRICK RIGHT HAND SIDE

Due to continual technical improvements please check online at www.stovax.com or with your Stovax retailer for the most up to date parts lists.

Service Records

1ST SERVICE

Date of Service:.....
Next Service Due:.....
Signed:.....
Dealer's Stamp/SFAIT Registration Number/ AHHA
License Number

3RD SERVICE

Date of Service:.....
Next Service Due:.....
Signed:.....
Dealer's Stamp/SFAIT Registration Number/ AHHA
License Number

5TH SERVICE

Date of Service:.....
Next Service Due:.....
Signed:.....
Dealer's Stamp/SFAIT Registration Number/ AHHA
License Number

7TH SERVICE

Date of Service:.....
Next Service Due:.....
Signed:.....
Dealer's Stamp/SFAIT Registration Number/ AHHA
License Number

9TH SERVICE

Date of Service:.....
Next Service Due:.....
Signed:.....
Dealer's Stamp/SFAIT Registration Number/ AHHA
License Number

2ND SERVICE

Date of Service:.....
Next Service Due:.....
Signed:.....
Dealer's Stamp/SFAIT Registration Number/ AHHA
License Number

4TH SERVICE

Date of Service:.....
Next Service Due:.....
Signed:.....
Dealer's Stamp/SFAIT Registration Number/ AHHA
License Number

6TH SERVICE

Date of Service:.....
Next Service Due:.....
Signed:.....
Dealer's Stamp/SFAIT Registration Number/ AHHA
License Number

8TH SERVICE

Date of Service:.....
Next Service Due:.....
Signed:.....
Dealer's Stamp/SFAIT Registration Number/ AHHA
License Number

10TH SERVICE

Date of Service:.....
Next Service Due:.....
Signed:.....
Dealer's Stamp/SFAIT Registration Number/ AHHA
License Number

Distributed by:

Australia

Fireplace Products Australia Pty Ltd
1-3 Conquest Way
Hallam, VIC, 3803
AUSTRALIA

New Zealand



The Fireplace
Head Office & Showroom
12 Tawari Street Mt Eden,
Auckland ph 09 623 6996
www.thefireplace.co.nz

