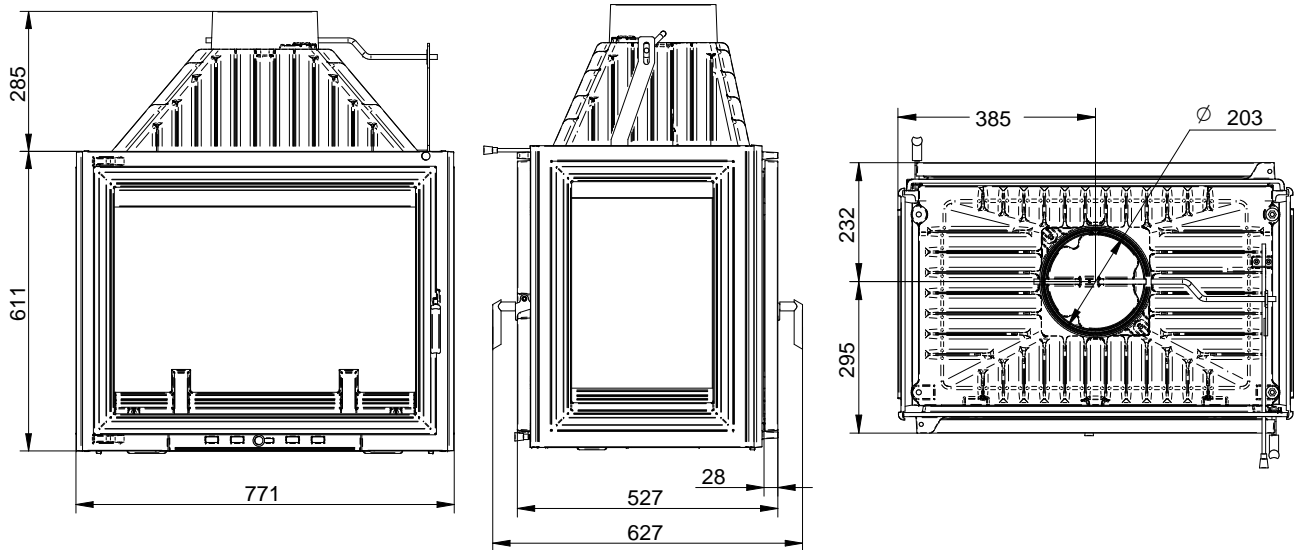


SIENA 750 GF4

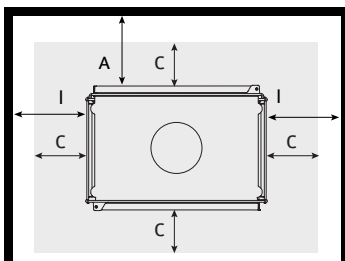
APPLIANCE DIMENSIONS



CLEARANCE TO COMBUSTIBLES

Hebel block hearth
 Combustible surface

| | | | | | |
|-------------------|------------------|---------------------|--------|-------------------|--------|
| Crate Size | 815 x 630 x 1050 | Gross Weight | 268 KG | Net Weight | 243 KG |
|-------------------|------------------|---------------------|--------|-------------------|--------|



*Door swing from right to left.

| | | Combustible surface |
|----------|---|---------------------|
| C | Hearth extension from the glass opening* | 700 |
| | Hearth thickness directly below the appliance | 150 |
| | Hearth thickness extending beyond the appliance | 50 |
| A | Rear of heater to rear wall | 1200 |
| I | Side of heater to side wall | 1200 |

Hearth recommendation:

It is highly recommended that Hebel Block material to be used as the hearth both directly below the appliance and extending beyond the appliance base. Please consult with retailer or installer if you wish to change the hearth material or clearances.

*Please refer to Hearth Clearance document for further information.