



# GREENFIRE GF1500L

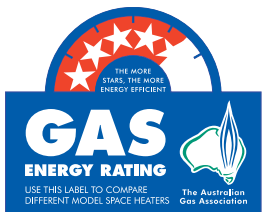
CONTEMPORARY GAS FIRE





# SEAMLESS DESIGN & PERFECT HEAT

Regency Greenfire™ GF1500L gas fire shown with clean edge finish.



*\*when installed with a short horizontal flue kit on LP*

## STANDARD FEATURES

- Wide landscape fire with driftwood log set
- Realistic ceramic glowing ember bed
- Black enamel reflective side panels
- 3-speed fan
- Electronic ignition
- RF Remote control
- Room sealed direct vent
- Nominal maximum gas consumption:  
50 MJ NG / 49 MJ LPG / 44 MJ ULPG
- Output: 10.4 kW NG / 10.5 kW LPG / 9.6 kW ULPG

## OPTIONS

- Contemporary door frame & fascia in black or brushed stainless steel (1359 mm x 552.5 mm)
- Premium glass fascia in black (1460.5 mm x 654 mm)
- Clean edge finish option (no fascia required)
- Optional trim kit for clean front finish
- Black or stainless steel inner door frame to mix and match
- Optional framing kit
- NG or LPG/ULPG conversion kits
- Horizontal or vertical flue options
- AstroCap™ Venting System for horizontal termination
- Heat distribution kit & air duct to distribute heat to other rooms ( see page 4)

## DESIGN OPTIONS

---



Clean edge finish (no fascia)  
WIDTH: 1267 mm    HEIGHT: 459 mm



Door frame and fascia in black  
WIDTH: 1359 mm    HEIGHT: 552.5 mm



Door frame and fascia in brushed stainless steel  
WIDTH: 1359 mm    HEIGHT: 552.5 mm



Glass fascia in black  
WIDTH: 1460.5 mm    HEIGHT: 654 mm



Glass fascia in black with brushed stainless steel inner door frame  
WIDTH: 1460.5 mm    HEIGHT: 654 mm

## FINISHES

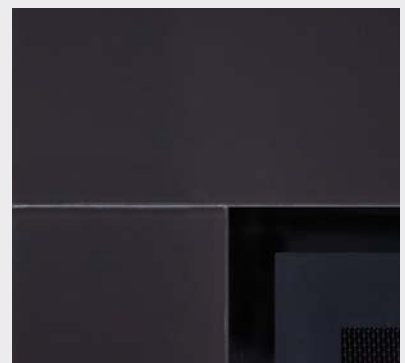
---



Black

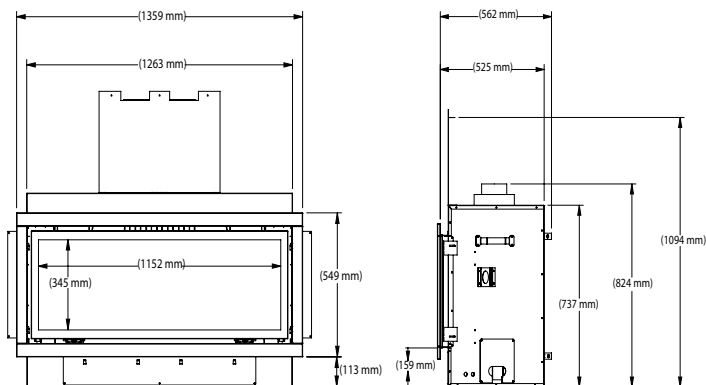


Brushed Stainless Steel

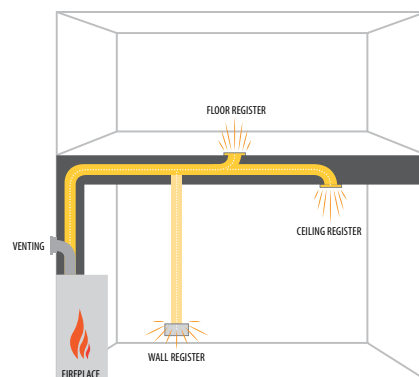


Black Glass

## SPECIFICATIONS

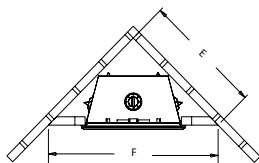
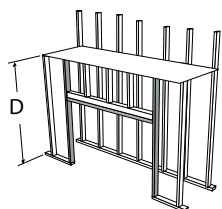
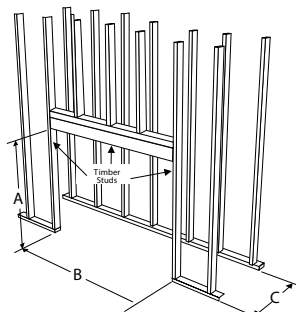
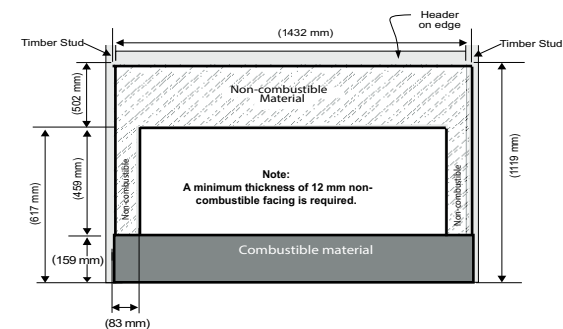


## HEAT DISTRIBUTION KIT



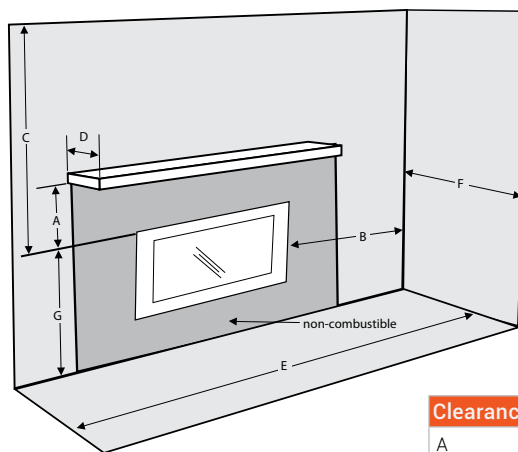
Increase the effectiveness of your fireplace by dispersing warm air from the fireplace to remote locations in the same room or other rooms in your home.

## FRAMING



Framing	GF1500L
A	1095 mm
B	1394 mm
C	568 mm
D	1225 mm
E	1460 mm
F	2065 mm

## CLEARANCES



Clearances	GF1500L
A	502 mm
B	152 mm
C	1162 mm
D	305 mm
E	1524 mm
F	914 mm
G	617 mm

for your nearest dealer visit:  
[www.regency-fire.com.au](http://www.regency-fire.com.au)  
 or call 1 800 081 978

your Regency dealer

Fireplace Products Australia Pty Ltd.

1 Conquest Way,  
 Hallam VIC 3803  
 Australia  
 Phone: 1 800 081 978  
 Fax: 03 979 97822  
 Email: sales@regency-fire.com.au

Distributor WA  
 Air Group Australia

28 Division St.  
 Welshpool WA 6106  
 Australia  
 Phone: 08 9350 2200

Distributor NZ  
 Aber Holdings Ltd

17 Mainstreet Place,  
 PO Box 10095, Te Rapa  
 Hamilton 3241  
 New Zealand  
 Phone: 64 7849 7585

Disclaimer: Appearance of flames varies with installation and fuel type.  
 \*Star ratings vary based on flue type and configuration.

© 2015 FPI Fireplace Products International Ltd. Regency and Greenfire™ is registered or proprietary trademark of FPI Fireplace Products International Ltd. All rights reserved. (11/15)