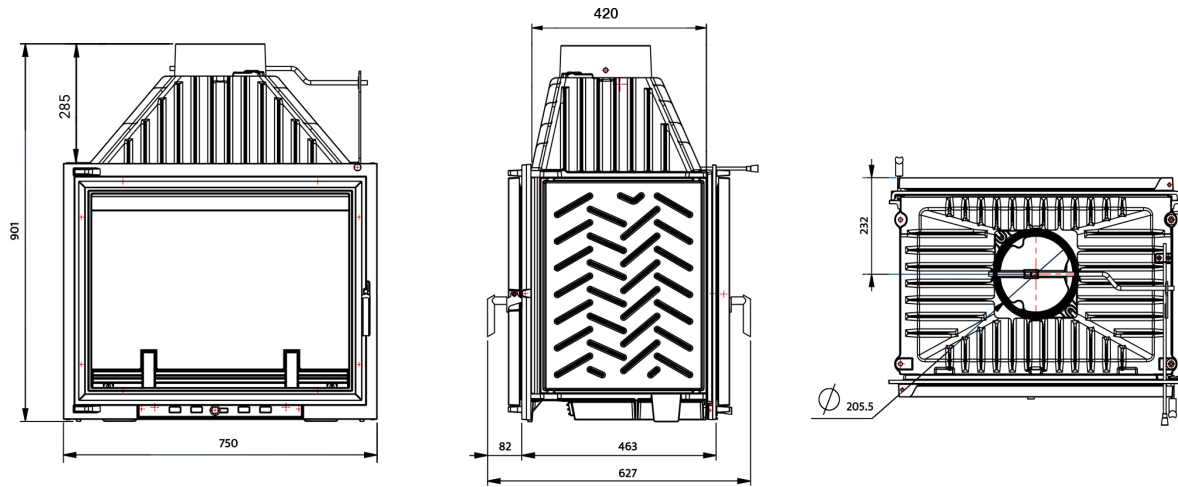
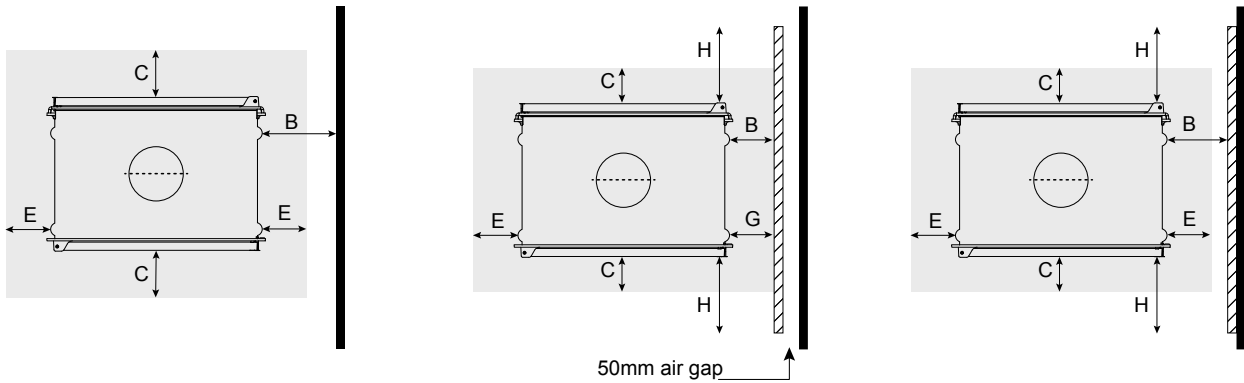


SIENA 750 TUNNEL

APPLIANCE DIMENSIONS



CLEARANCE TO COMBUSTIBLES



		No heat shield	Heat shield with 50mm air gap	Heat shield attached to the combustible wall
B	Side of heater to side wall	875	150	300
C	Hearth extension from the glass opening*	700	700	700
E	Hearth extension from the side of the heater	200	200 & G	200
G	Hearth extension towards the heat shield	N/A	Extend up to the heat shield	Refer to E dim.
H	Heat shield extension from glass opening	N/A	900	900
	Heat shield height from hearth	N/A	1900	1900
	Hearth thickness directly below the appliance	150	150	150
	Hearth thickness extending beyond the appliance	50	50	50

Hearth recommendation:

It is highly recommended that Hebel Block material to be used as the hearth both directly below the appliance and extending beyond the appliance base. Please consult with retailer or installer if you wish to change the hearth material or clearances.

* Please refer to Hearth Clearance document for further information.