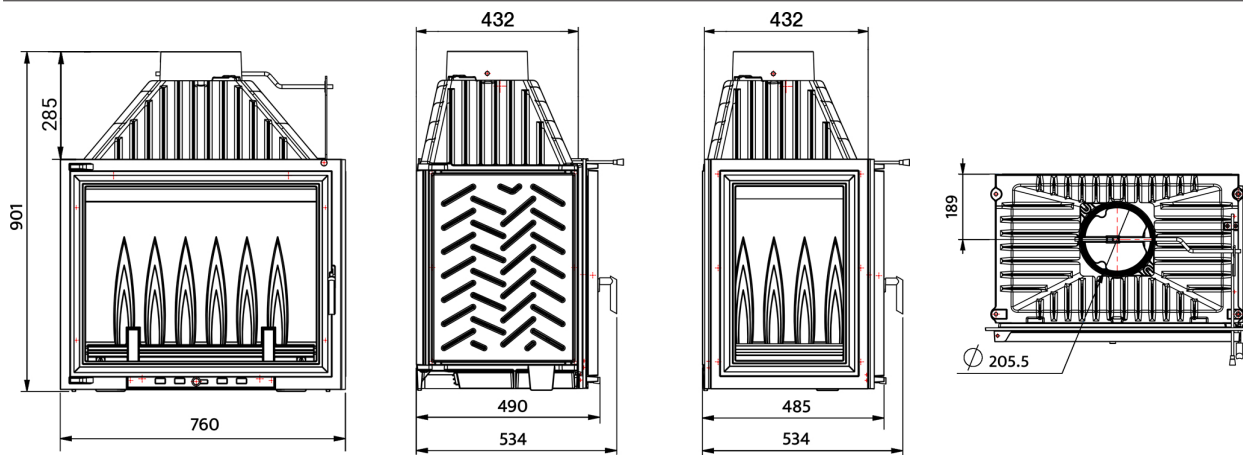


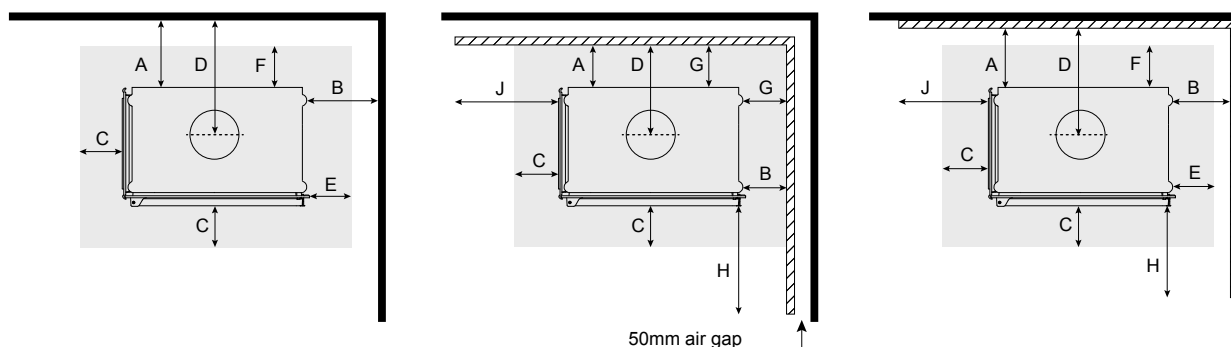
SIENA 750 GF2L AND GF2R*

APPLIANCE DIMENSIONS



CLEARANCE TO COMBUSTIBLES

Combustible surface
 Hebel block hearth
 50mm Skamol or 60mm Calcium Silicate board



*Please note: The above drawings reflect the design of 750 GF2L. Both units share identical dimensions, however the clearance diagram should be mirrored to compensate for the opposing side glass options (left and right).

		No heat shield	Heat shield with 50mm air gap	Heat shield attached to the combustible wall
A	Rear of heater to rear wall	1150	200	400
B	Side of heater to side wall	875	150	300
C	Hearth extension from the glass opening*	700	700	700
D	Centre of flue to rear wall	1339	389	589
E	Hearth extension from the side of the heater	200	C & G	200 & C
F	Hearth extension from the rear of the heater	200	Refer to G dim.	200
G	Hearth extension towards the heat shield	N/A	Extend up to the heat shield	Refer to E & F
H	Heat shield extension from glass opening	N/A	900	900
J	Heat shield extension on rear wall	N/A	500	500
	Heat shield height from hearth	N/A	1900	1900
	Hearth thickness directly below the appliance	150	150	150
	Hearth thickness extending beyond the appliance	50	50	50

Hearth recommendation:

It is highly recommended that Hebel Block material to be used as the hearth both directly below the appliance and extending beyond the appliance base. Please consult with retailer or installer if you wish to change the hearth material or clearances.

* Please refer to Hearth Clearance document for further information.