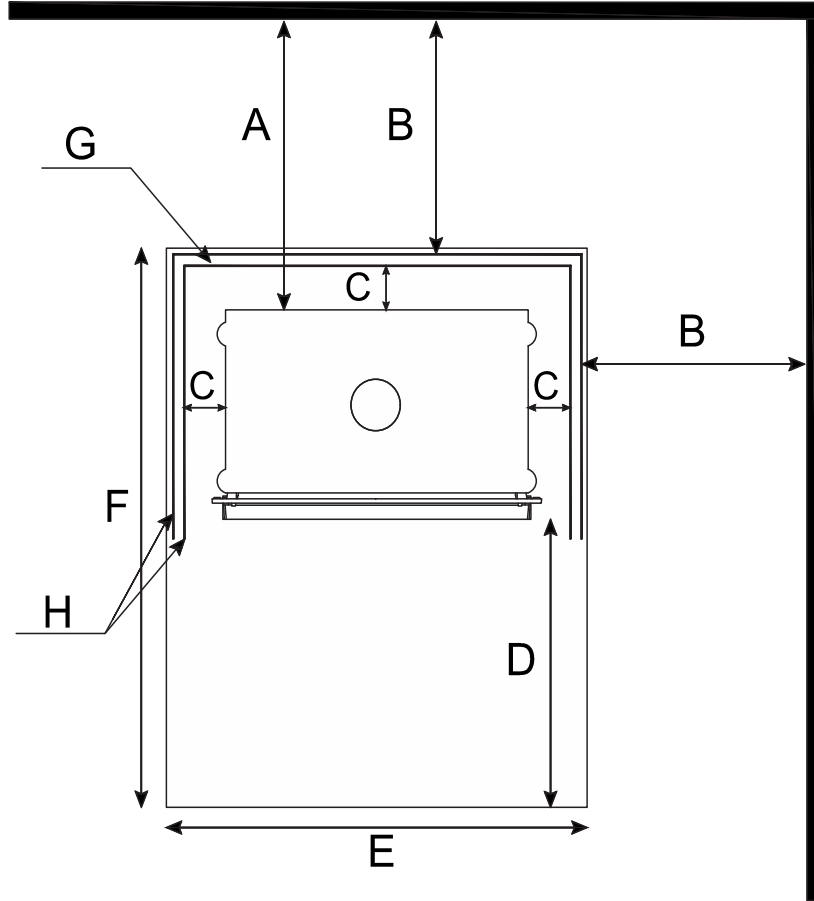


HEAT SHIELD 750 SIENA SERIES

CLEARANCE TO COMBUSTIBLES

■ Combustible surface



		No heat shield
A	Rear of heater to rear wall	685
B	Heat shield to side/back wall	550
C	Clearance from unit to inner heat shield	115
D	Hearth extension from the glass opening	700
E	Width of hearth	1040
F	Length of hearth	1325
G	Air gap between each skin	13
H	Double steel heat shield	2.5 min.
	Width of heat shield	1000
	Depth of heat shield	605
	Height of heat shield	930

PARALLEL POSITION WITH DOUBLE SKIN STEEL SHIELD

The clearance to rear combustible wall is 685mm from the appliance when installed with a 2.5mm thick double steel heatshield with a 13mm air gap between each skin, the outer skin was raised 10mm above the floor protector to allow for air flow. The C shaped shield was 1000mm wide by 605mm deep by 930mm high.

When installed with an additional 180° stainless steel rear flue shield fitted behind the solid casing to the ceiling, the rear wall clearance can be reduced to 485mm from a combustible wall to the rear of the appliance. (350mm from shield to combustible wall)

Hearth recommendation:

It is highly recommended that Hebel Block material to be used as the hearth both directly below the appliance and extending beyond the appliance base. Please consult with retailer or installer if you wish to change the hearth material or clearances.