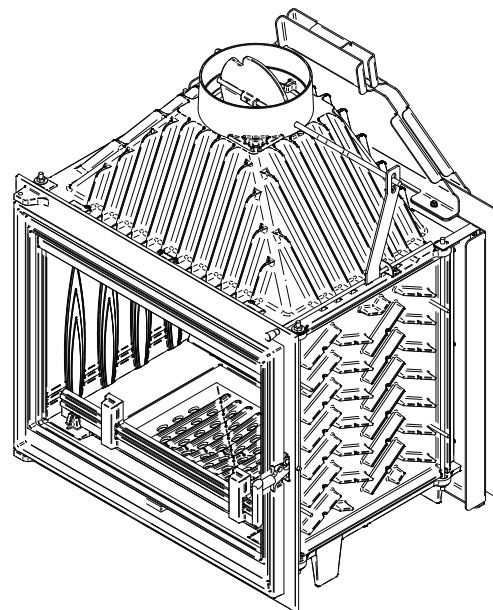
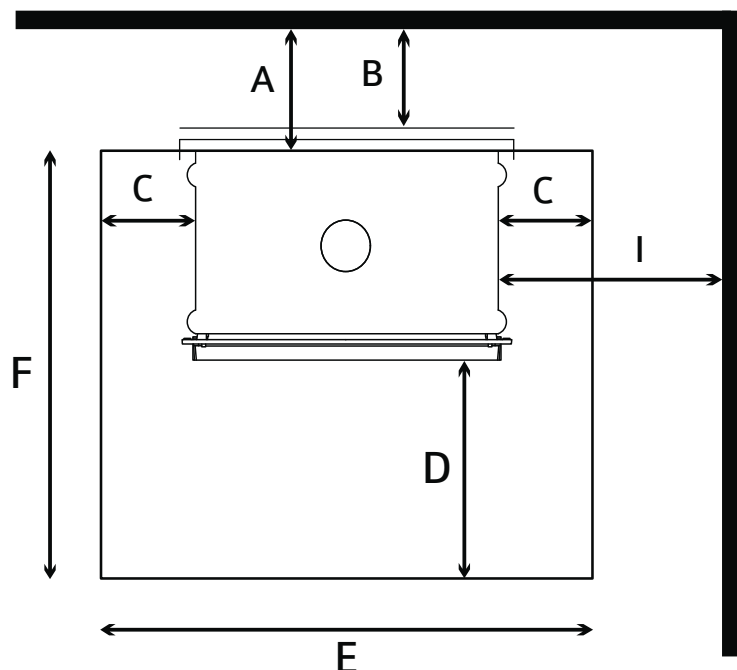


HEAT SHIELD SIENA MKIII 750GF

CLEARANCE TO COMBUSTIBLES

■ Combustible surface

OPTION 1



A	Rear of heater to rear wall	289
B	Heat shield to back wall	225**
C	Hearth extension from the side of the heater	200
D	Hearth extension from the glass opening*	600
E	Width of hearth	1150
F	Depth of hearth	1170
I	Heat shield to side wall	875

**Refer option 2 to reduce the rear wall clearance


Hearth recommendation:

It is highly recommended that Hebel Block material to be used as the hearth both directly below the appliance and extending beyond the appliance base. Please consult with retailer or installer if you wish to change the hearth material or clearances.

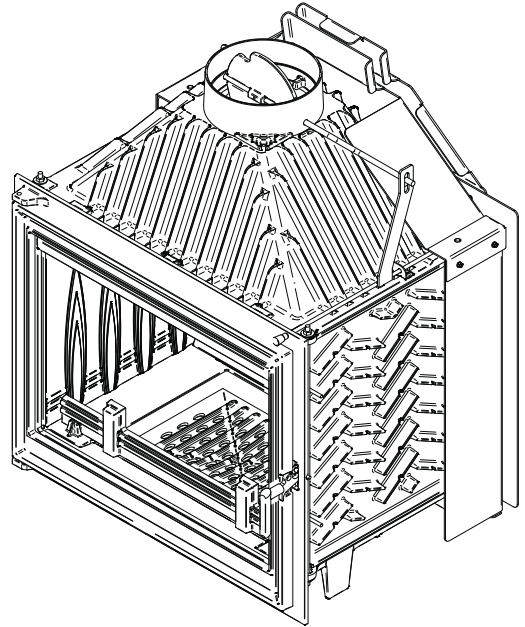
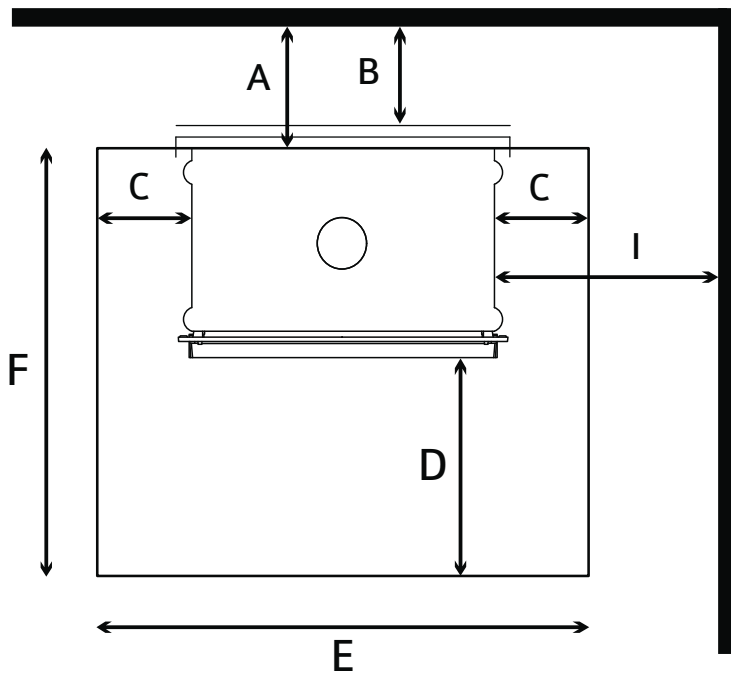
*Please refer to Hearth Clearance document for further information.

HEAT SHIELD SIENA MKIII 750GF

CLEARANCE TO COMBUSTIBLES

 Combustible surface

OPTION 2



A	Rear of heater to rear wall	194
B	Heat shield to back wall	130**
C	Hearth extension from the side of the heater	200
D	Hearth extension from the glass opening*	600
E	Width of hearth	1150
F	Depth of hearth	1170
I	Heat shield to side wall	875

**additional 900mm high x 180°stainless steel rear flue shield fitted between the solid casing and the active flue

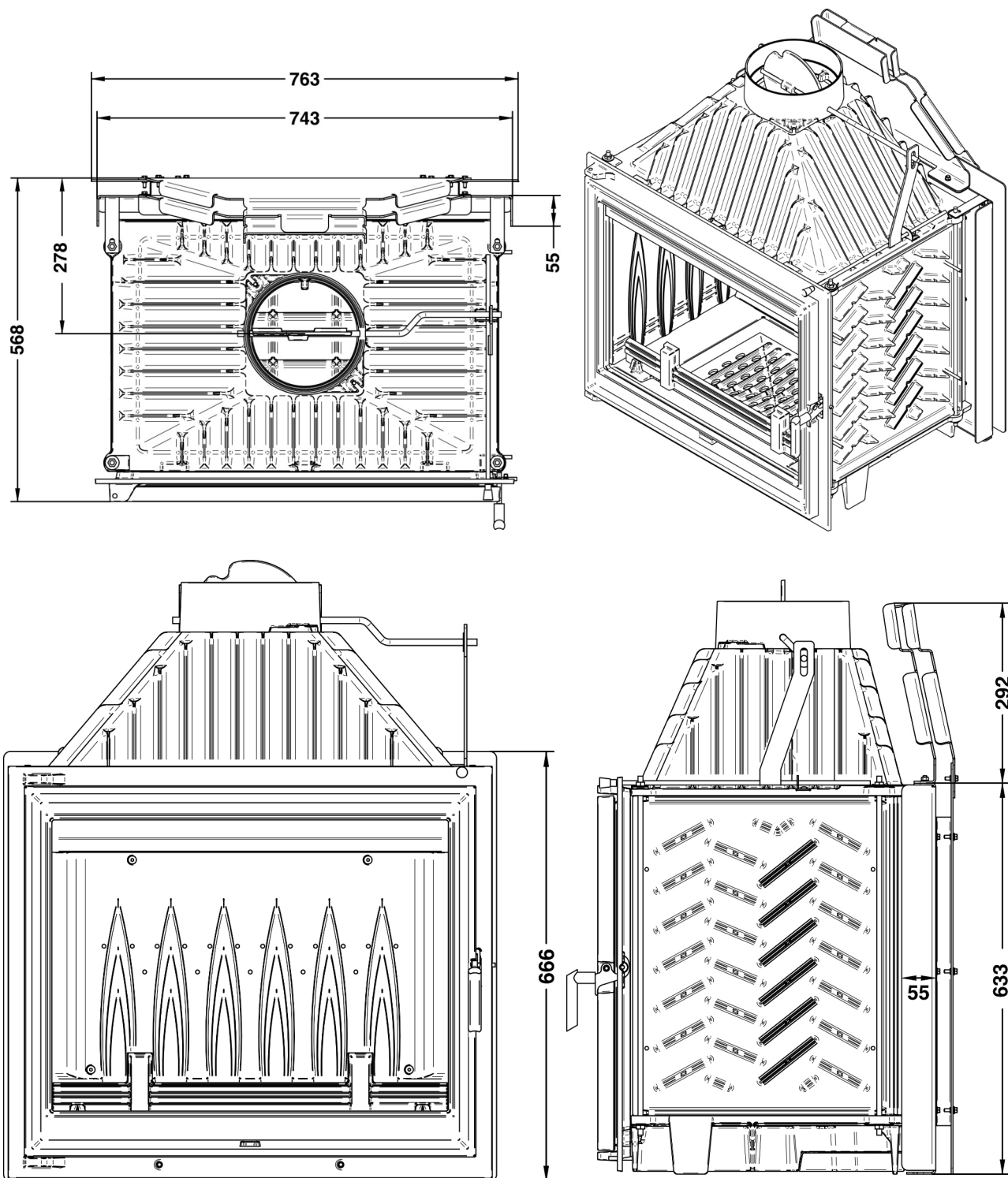
Hearth recommendation:

It is highly recommended that Hebel Block material to be used as the hearth both directly below the appliance and extending beyond the appliance base. Please consult with retailer or installer if you wish to change the hearth material or clearances.

*Please refer to Hearth Clearance document for further information.

HEAT SHIELD SIENA MKIII 750GF

OPTION 1 HEAT SHIELD DIMENSIONS



HEAT SHIELD SIENA MKIII 750GF

OPTION 2 HEAT SHIELD DIMENSIONS

