



Regency Gem54 Gas Fireplace

Owners & Installation Manual



MODELS: GEM54-NG
GEM54-LPG
GEM54-ULPG

LISTINGS AND CODE APPROVALS

These gas appliances have been tested in accordance with AS4558 / NZS 5262 and have been certified by the Australian Gas Association for installation and operation as described in these Installation and Operating Instructions.

Your unit should be serviced annually by an authorised service person.

www.regency-fire.com.au

WARNING:

If the information in these instructions are not followed exactly, a fire or explosion may result causing property damage, personal injury or loss of life.

FOR YOUR SAFETY

Do not store or use gasoline or other flammable vapors and liquids in the vicinity of this or any other appliance.

Installation and service must be performed by a qualified installer, service agency or the gas supplier.

FOR YOUR SAFETY

What to do if you smell gas:

- Do not try to light any appliance
- Do not touch any electrical switch: do not use any phone in your building.
- Immediately call your gas supplier from a neighbour's phone. Follow the gas supplier's instructions.
- If you cannot reach your gas supplier, call the fire department.

Installer: Please complete the details on the back cover and leave this manual with the homeowner.

Homeowner: Please keep these instructions for future reference.

To the New Owner:

Congratulations!

You are the owner of a state-of-the-art Gas Fireplace by REGENCY®. The Gem54 has been designed to provide you with all the warmth and charm of a wood fireplace at the flick of a switch. The model Gem54 has been approved by AGA for both safety and efficiency. As it also bears our own mark, it promises to provide you with economy, comfort and security for many trouble free years to follow. Please take a moment now to acquaint yourself with these instructions and the many features of your Regency® Fireplace.



DATA BADGE

Copy of data badge	4
--------------------------	---

DIMENSIONS

Unit Dimensions	5
Faceplate & Door frame overlay Dimensions	5

INSTALLATION

Important Message	6
Before You Start	6
General Safety Information.....	6
Installation Checklist.....	7
Locating Your Gas Fireplace	7
Clearances	8
Non-Combustible Requirements	8
Non combustible facing board.....	9
Non combustible facing installation	9
Mantel Clearances.....	10
Mantel Leg Clearances.....	10
Framing & Finishing.....	11
Unit Assembly Prior To Installation	13
Standoff Assembly	13
Nailing Strips.....	13
Venting Introduction.....	13
Vent Restrictor Position	14
Exterior Flue Termination Locations	15
Venting Arrangements	16
Horizontal Termination (Flex).....	16
Rigid Pipe Venting Systems	17
Basic Horizontal & Vertical Terminations	17
5" x 8" Rigid Pipe Cross Reference Chart	18
Venting Arrangements	20
Allowable Horizontal Terminations.....	20
Venting Arrangements	21
Allowable Horizontal Terminations for Gem54-lpg/ ulpg.....	21
Venting Arrangements	24
Allowable Vertical Terminations for Gem54-ng.....	24
Venting Arrangements	25
Allowable Vertical Terminations for Gem54-lpg/ ULPG	25
Unit Installation with Horizontal Termination.....	26
Unit Installation with Vertical Termination	27
Unit Installation	28
High Elevation	29
Gas Line Installation.....	29
Pilot Adjustment.....	29
Gas Pipe Pressure Testing.....	29
S.I.T. Valve Description.....	29
Conversion from NG to LPG	30

Conversion from NG to ULPG	30
Aeration Adjustment	33
Wiring Diagram	33
Reflective Panel Installation	34
Glass Crystals or optional ceramic stones	35
Installation On Burner.....	35
Optional Pebble Installation for Firebox Base	35
Log Set Installation.....	36
Screen & Door frame overlay Installation.....	39
Faceplate installation.....	40

OPERATING INSTRUCTIONS

Operating Instructions	42
First Fire	42
Lighting Procedure	42
Shutdown Procedure	42
Normal Operating Sounds of Gas Appliances.....	42
Copy of Lighting Plate Instructions.....	43
Fan Service	44
Wiring	46

MAINTENANCE

Maintenance Instructions.....	47
General Vent Maintenance.....	47
Thermopile / Thermocouple.....	47
Glass Gasket.....	47
Glass Door.....	47
Glass Replacement	47
Glass Door Removal	48
DC Spark Box Battery Replacement	49
DC Spark Box Replacement.....	49
Valve Tray Replacement.....	50

PARTS LIST

Main Assembly	52
Accessories	53

WARRANTY

Warranty	55
----------------	----

SAFETY LABEL

This is a copy of the badge that accompanies each Gem54™-NG Direct Vent Gas Fireplace. We have printed a copy of the contents here for your review.

NOTE: Regency® units are constantly being improved. Check the badge on the unit and if there is a difference, the badge on the unit is the correct one.

COPY OF DATA BADGE

Regency Gas Fireplace

Model	<input type="radio"/>	<input type="radio"/>	<input type="radio"/>	Distributed by: Western Australia: Air Group Australia 28 Division St Welshpool WA 6106 Eastern Australia: Fireplace Products Australia Pty. Ltd. 1 Conquest Way Hallam, VIC 3803 <small>To be installed by an authorised person in accordance with installation instructions provided with the appliance.</small>
Gas Type	NG	LPG	ULPG	
Model	Gem54-NG	Gem54-LP	Gem54-ULPG	
Gas Consumption	35.9 mj.	32.2mj.	28.7mj.	
Manifold Pressure	0.88 kPa	2.49kPa	2.49 kPa	
Injector Size	1 x #32 2.95mm	1 x#51 1.70mm	1 x #52 1.61mm	
Approval No: AGA 7493 G				
Code AS4558 / NZ5262				

Electrical: Millivolt Only

Serial Number **345**

918-785b

DO NOT OPERATE THIS APPLIANCE BEFORE READING THE INSTRUCTIONS BOOKLET.

DO NOT PLACE ARTICLES ON OR AGAINST THIS APPLIANCE

DO NOT STORE CHEMICALS OR FLAMMABLE MATERIALS NEAR THIS APPLIANCE.

DO NOT SPRAY AEROSOLS IN THE VICINITY OF THIS APPLIANCE WHILE IN OPERATION.

DO NOT OPERATE WITH PANELS, COVERS OR GUARDS REMOVED FROM THIS APPLIANCE.

DO NOT ENCLOSE THIS APPLIANCE.

DO NOT MODIFY THIS APPLIANCE.

908-602a

Warning primarily a decorative appliance not certified as a space heater

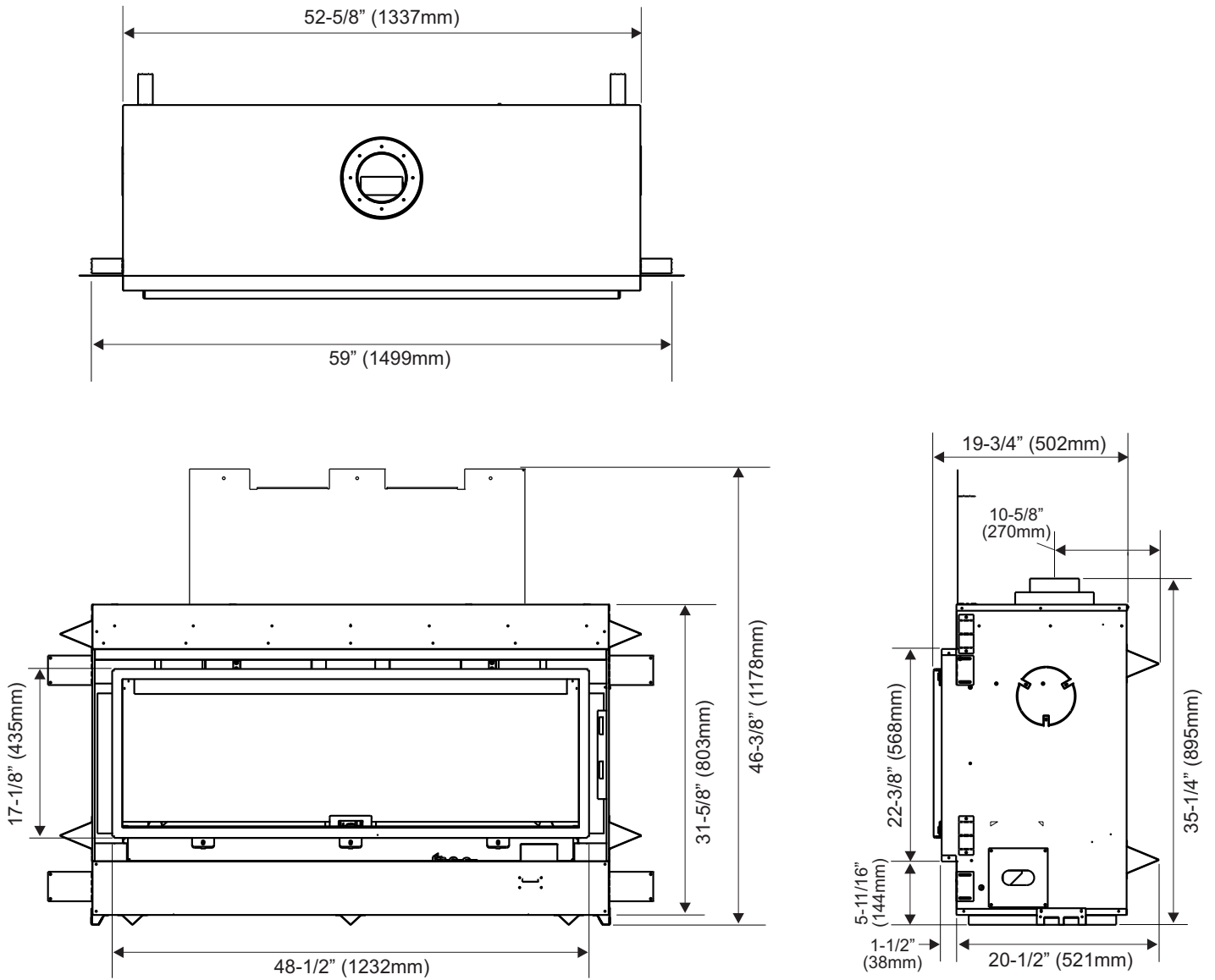
909-133

THE GUARD IS FITTED TO THIS APPLIANCE TO REDUCE THE RISK OR FIRE OR INJURY FROM BURNS AND NO PART OF IT SHOULD BE PERMANENTLY REMOVED.

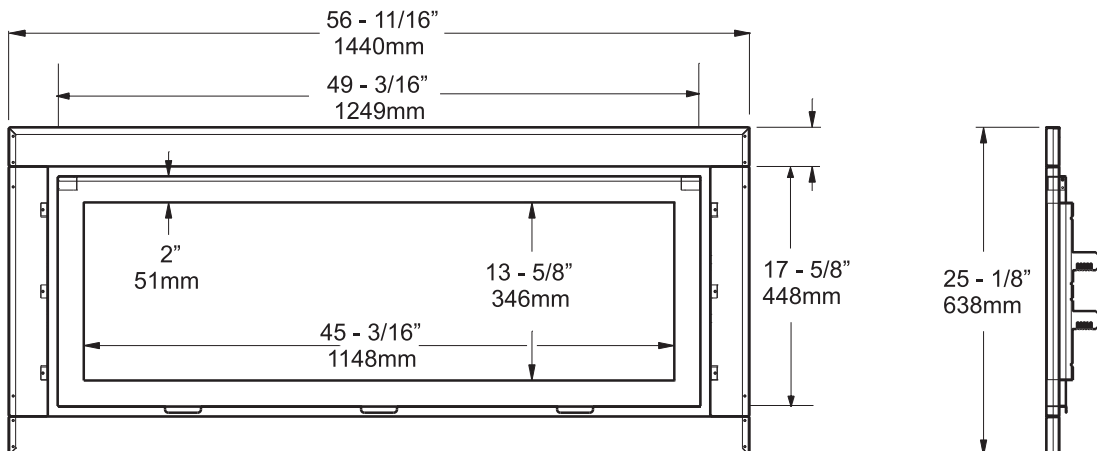
FOR PROTECTION OF YOUNG CHILDREN OR THE INFIRM, A SECONDARY GUARD IS REQUIRED.

(Australia Only)

UNIT DIMENSIONS



FACEPLATE & DOOR FRAME OVERLAY DIMENSIONS



IMPORTANT MESSAGE SAVE THESE INSTRUCTIONS

The Gem54™ Direct Vent Fireplace must be installed in accordance with these instructions. Carefully read all the instructions in this manual first. Consult the "authority having jurisdiction" to determine the need for a permit prior to starting the installation. It is the responsibility of the installer to ensure this fireplace is installed in compliance with manufacturers instructions and all applicable codes and complies with a S5601/AG601 clause 5.12, 13.2 and 5.12, 13.5.

BEFORE YOU START

INSTALLATION AND REPAIR SHOULD BE DONE BY AN AUTHORIZED SERVICE PERSON. THE APPLIANCE SHOULD BE INSPECTED BEFORE USE AND AT LEAST ANNUALLY BY A PROFESSIONAL SERVICE PERSON. MORE FREQUENT CLEANING MAY BE REQUIRED DUE TO EXCESSIVE LINT FROM CARPETING, BEDDING MATERIAL, ETC. IT IS IMPERATIVE THAT CONTROL COMPARTMENTS, BURNERS AND CIRCULATING AIR PASSAGEWAYS OF THE APPLIANCE BE KEPT CLEAN.

DUE TO HIGH TEMPERATURES, THE APPLIANCE SHOULD BE LOCATED OUT OF TRAFFIC AND AWAY FROM FURNITURE AND DRAPERIES.

WARNING: FAILURE TO INSTALL THIS APPLIANCE CORRECTLY WILL VOID YOUR WARRANTY AND MAY CAUSE A SERIOUS HOUSE FIRE.

CHILDREN AND ADULTS SHOULD BE ALERTED TO THE HAZARDS OF HIGH SURFACE TEMPERATURES, ESPECIALLY THE FIREPLACE GLASS, AND SHOULD STAY AWAY TO AVOID BURNS OR CLOTHING IGNITION.

YOUNG CHILDREN SHOULD BE CAREFULLY SUPERVISED WHEN THEY ARE IN THE SAME ROOM AS THE APPLIANCE.



CLOTHING OR OTHER FLAMMABLE MATERIAL SHOULD NOT BE PLACED ON OR NEAR THE APPLIANCE.

NOT INTENDED FOR FIREPLACE INSERT.

GENERAL SAFETY INFORMATION

- 1) The appliance installation must conform with local codes or, in the absence of local codes, with the current Installation and Building Codes.
- 2) The appliance when installed, must be electrically grounded in accordance with local codes.
- 3) See general construction and assembly instructions. The appliance and vent should be enclosed.
- 4) This appliance must be connected to the specified vent and termination cap to the outside of the building envelope. Never vent to another room or inside a building. Make sure that the vent is fitted as per Venting instructions.
- 5) Inspect the venting system annually for blockage and any signs of deterioration.
- 6) Venting terminals shall not be recessed into a wall or siding.
- 7) Any safety glass removed for servicing must be replaced prior to operating the appliance.
- 8) To prevent injury, do not allow anyone who is unfamiliar with the operation to use the fireplace.
- 9) Wear gloves and safety glasses for protection while doing required maintenance.
- 10) Be aware of electrical wiring locations in walls and ceilings when cutting holes for termination.
- 11) Under no circumstances should this appliance be modified. Parts that have to be removed for servicing should be replaced prior to operating this appliance.
- 12) Installation and any repairs to this appliance should be done by an authorized service person. A professional service person should be called to inspect this appliance annually. Make it a practice to have all of your gas appliances checked annually.

- 13) Do not slam shut or strike the glass door.
- 14) Under no circumstances should any solid fuels (wood, paper, cardboard, coal, etc.) be used in this appliance.
- 15) The appliance area must be kept clear and free of combustible materials, (gases and other flammable vapours and liquids).

"THIS UNIT MUST ALWAYS TERMINATE / VENT DIRECTLY TO THE OUTDOORS."

INSTALLATION CHECKLIST

- 1) Locate appliance
 - a) Room location (Refer to "Locating Your Gas fireplace" section)
 - b) Clearances to Combustibles (Refer to "Clearances" section)
 - c) Mantle Clearances (Refer to "Mantel Clearances" section)
 - d) Framing & Finishing Requirements (Refer to "Framing & Finishing" section)
 - e) Venting Requirements (Refer to "Venting" section)
- 2) Assemble the standoffs and nailing strips (Refer to "Unit Assembly Prior to Installation").
- 3) Slide unit into place.
- 4) Install vent (Refer to "Venting Arrangement" sections).
- 5) Make gas connections (Refer to "Gas Line Installation section").
- 6) Test the pilot (Refer to "Pilot Adjustment" section).
- 7) Test Gas Pressure (Refer to "Gas Pipe Pressure Testing" section).
- 8) Install standard and optional features. Refer to the following sections:
 - a) Glass Crystals
 - b) Optional Firebox Base Pebbles
 - c) Optional Stainless Steel Reflective Panels
 - d) Faceplate / Door Frame Overlay
 - e) Remote Control or Wall Thermostat
- 9) Wall Mounted ON/OFF Switch: Use the toggle wall switch supplied with the manual package. Use of a "decor" switch causes higher resistance which is a problem on gas fireplaces.
- 10) Final check.

Before leaving this unit with the customer, the installer must ensure that the appliance is firing correctly and **operation fully explained to customer.**

This includes:

- 1) Clocking the appliance to ensure the correct firing rate (rate noted on label 41,500 Btu/h, after burning appliance for 15 minutes.
- 2) If required, adjusting the primary air to ensure that the flame does not carbon. First allow the unit to burn for 15-20 min. to stabilize.

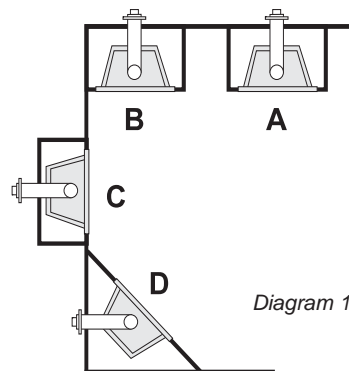
CAUTION: Any alteration to the product that causes sooting or carboning that results in damage is not the responsibility of the manufacturer.

- 4) This appliance is Listed for bedroom installations using the standard Remote (millivolt thermostat system). Some areas may have further requirements, check local codes before installation.
- 5) The Gem54 Direct Vent Gas Fireplace is approved for alcove installations, see "Clearances" section for details.
- 6) We recommend that you plan your installation on paper using exact measurements for clearances and floor protection before actually installing this appliance. Have an authorized inspector, dealer, or installer review your plans before installation.

Note: For vent terminations refer to "Exterior Vent Termination Locations" section.

LOCATING YOUR GAS FIREPLACE

- 1) When selecting a location for your fireplace, ensure that the clearances are met.
- 2) The appliance must be installed on a flat, solid, continuous surface For example a wood, metal or concrete floor or in a raised (on the wall) application. The appliance must be installed on a metal or wood panel extending the full width and depth of the appliance.
- 3) The Gem54 Direct Vent Gas Fireplace can be installed in a recessed position or framed out into the room as in A, B, C and D. See Diagram 1.



- A) Flat on Wall
- B) Flat on Wall Corner
- C) Recessed into Wall/Alcove
- D) Corner

CLEARANCES

The clearances listed below are Minimum distances unless otherwise stated:

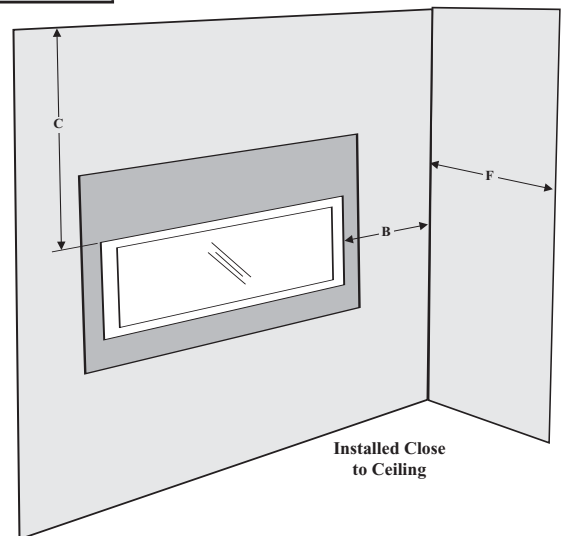
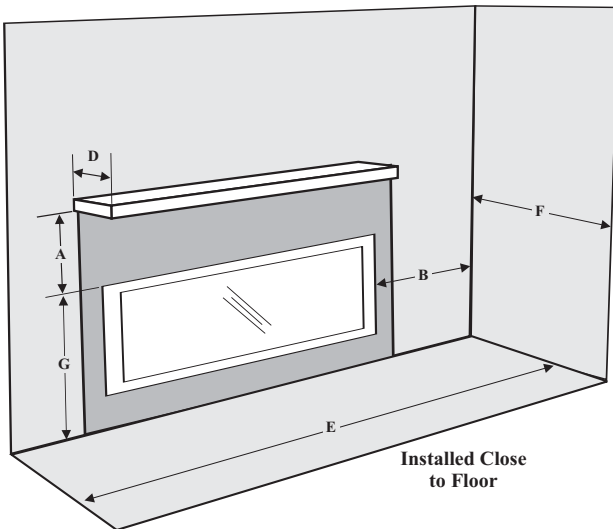
A major cause of chimney related fires is failure to maintain required clearances (air space) to combustible materials. It is of the greatest importance that this fireplace and vent system be installed only in accordance with these instructions.

Caution Requirements
The top, back and sides of the fireplace are defined by standoffs. The metal ends of the standoff may **NOT** be recessed into combustible construction.

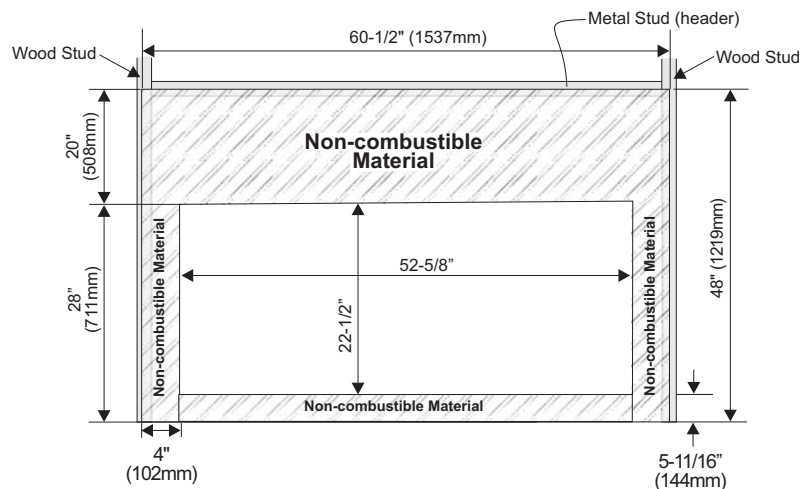
WARNING
Fire hazard is an extreme risk if these clearances (air space) to combustible materials are not adhered to. It is of greatest importance that this fireplace and vent system be installed only in accordance with these instructions.

Clearance:	Dimension	Measured From:
A: Mantel Height (min.)	20" (508mm)	Top of Fireplace Opening
B: Sidewall	4" (102mm)	Side of Fireplace Opening
C: Ceiling (room and/or alcove)	40-7/8" (1038mm)	Top of Fireplace Opening
D: Mantel Depth (max.)	13" (330mm)	30" Above Fireplace Opening
E: Alcove Width	83" (2108mm)	Sidewall to Sidewall (Minimum)
F: Alcove Depth	36" (914mm)	Front to Back Wall (Maximum)
Note	0"	No hearth required

Flue Clearances	
Horizontal - Top	3" (76mm)
Horizontal - Side	2" (51mm)
Horizontal - Bottom	2" (51mm)
Vertical	2" (51mm)



NON-COMBUSTIBLE REQUIREMENTS



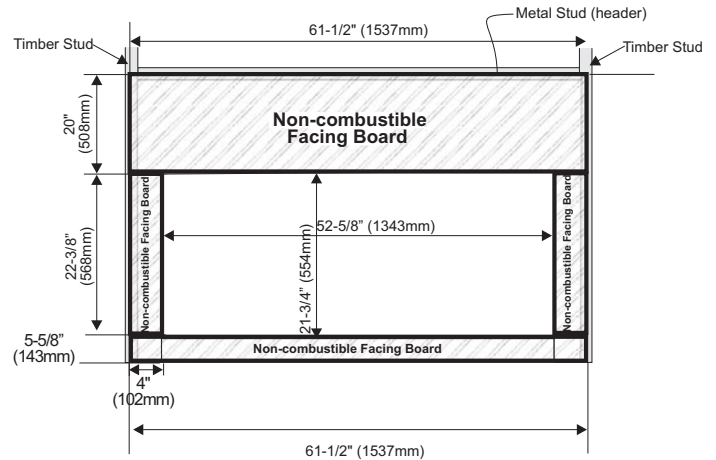
NON COMBUSTIBLE FACING BOARD

If finishing the wall above the unit with paint - the non-combustible board (shipped separately from the unit) should be installed. Facing board must be ordered when ordering the unit.

Calcium silicate board is a high - grade material with cement, quartz, natural and selected minerals as the main raw materials. It is widely used for partitions and ceilings in buildings. It is fire proof and earthquake proof.

If finishing the wall above the unit with materials such as tile, brick, marble, etc. non-combustible board available from the building supply store can be used.

Note: Calcium Silicate is 12mm thick.



NON COMBUSTIBLE FACING INSTALLATION

Caution: This non-combustible board can be damaged if dropped or struck. Handle with care. Inspect board prior to installation. Do not install if cracked.

1) Using plaster board screws - secure non combustible material around unit, framing and top nailing strip every 150mm.

Important Note: To avoid cracking the board - pre-drill holes prior to securing to unit/ framing.

2) Wipe any debris/dust from the non combustible material and drywall.

3) Prior to taping and mudding it is highly recommended to prime the facing and edges using a quality primer. This will ensure proper adhesion of both the tape and mud. The optional board is very porous. During dry fit, ensure that both surfaces being taped are even.

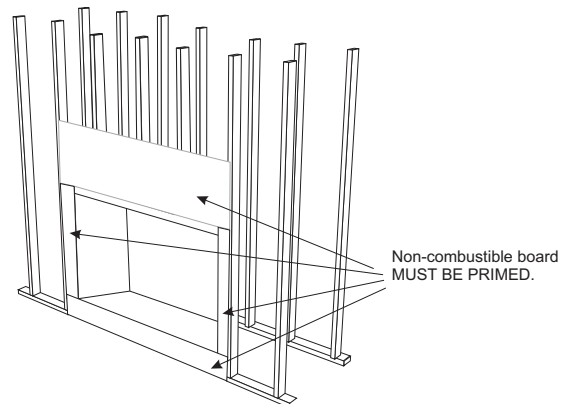
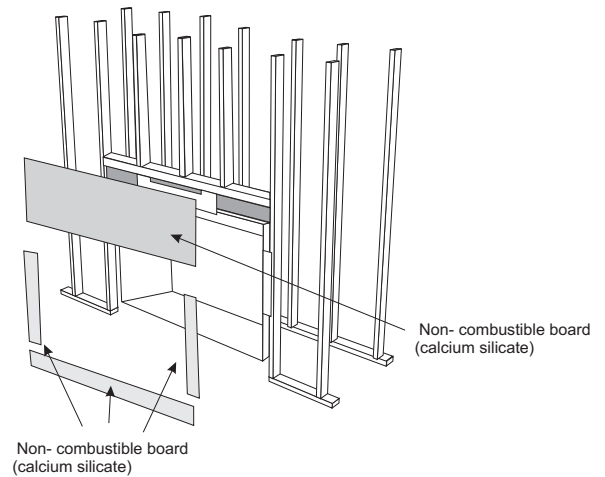
4) Tape the seams using a mesh type tape.

5) To seal up seams as normal we recommend using a product called Durabond high strength compound - for the first coat. This product can be found at any hardware store. Sealant must be cured as per manufacturer's recommendations.

6) Prime wall for a second time for proper adhesion of paint

7) Paint walls using a high quality paint which will withstand the high temperatures being emitted from this appliance.

Note: Incorrectly sealed joints may crack. Keep sealant thickness to a minimum.

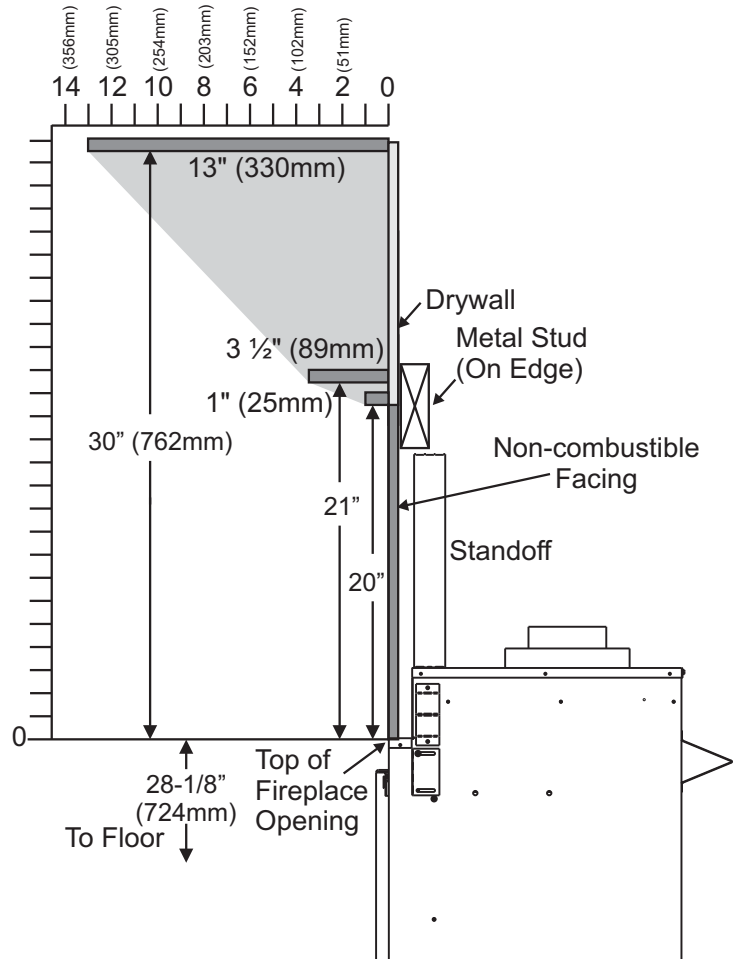


MANTEL CLEARANCES

Due to the extreme heat this fireplace emits, the mantel clearances are critical. Combustible mantel clearances from top of front facing are shown in the diagram on the right.

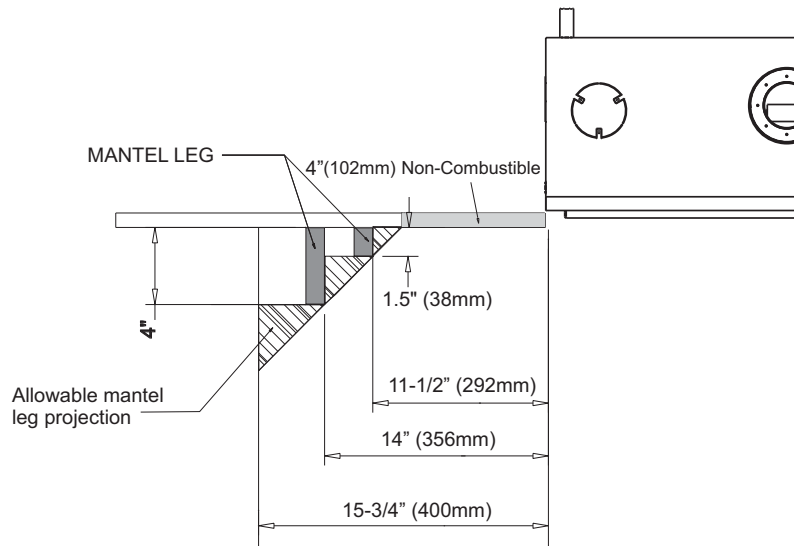
Note: A non-combustible mantel may be installed at a lower height if the framing is made of metal studs covered with a non-combustible board.

Note: Ensure the paint that is used on the mantel and the facing is "heat resistant" or the paint may discolour.



MANTEL LEG CLEARANCES

Combustible mantel leg clearances as per diagram:



FRAMING & FINISHING

- 1) Frame in the enclosure for the unit with framing material.

IMPORTANT: Header must be metal stud. All other framing may be of combustible type such as 2x4 (0.6m x 1.2m) / 2x6 (0.6m x 1.8m) framing materials.

Note: When constructing the framed opening, please ensure there is access to install the gas lines when the unit is installed.

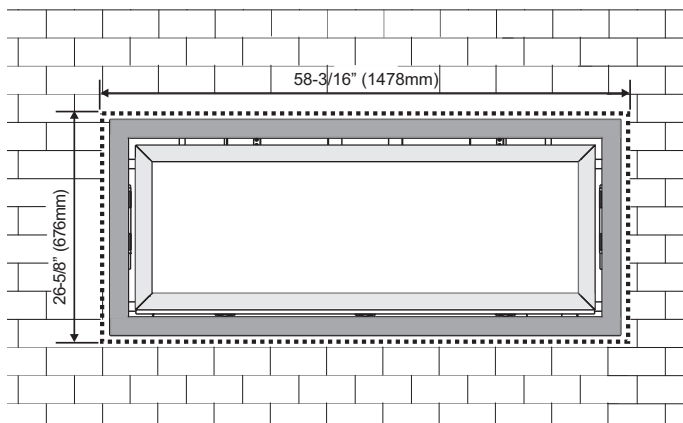
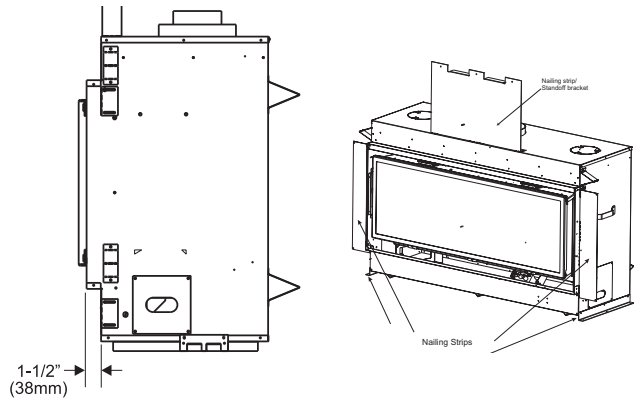
- 2) For exterior walls, insulate the enclosure to the same degree as the rest of the house, apply vapour barrier and drywall, as per local installation codes. **(Do not insulate the fireplace itself.)**

WARNING: Failure to insulate and add vapor barriers to the inside of the exterior wall will result in operational and performance problems including, but not limited to: excessive condensation on glass doors, poor flame package, carbon, blue flames etc. These are not product related issues.

- 3) The unit does not have to be completely enclosed in a chase. You must maintain clearances from the vent to combustible materials: See "Clearances" section. Combustible materials can be laid against the side and back standoffs and the stove base.

- 4) If material such as brick, stone, etc extends past the faceplate depth, when finishing around the faceplate, the minimum opening dimensions noted below must be adhered to ensuring for the removal of the faceplate.

- 5) When finishing around the faceplate, if material such as brick, stone, etc. extends past the faceplate depth - the minimum opening dimensions noted below **must** be adhered to, this is to assure removal of the faceplate.

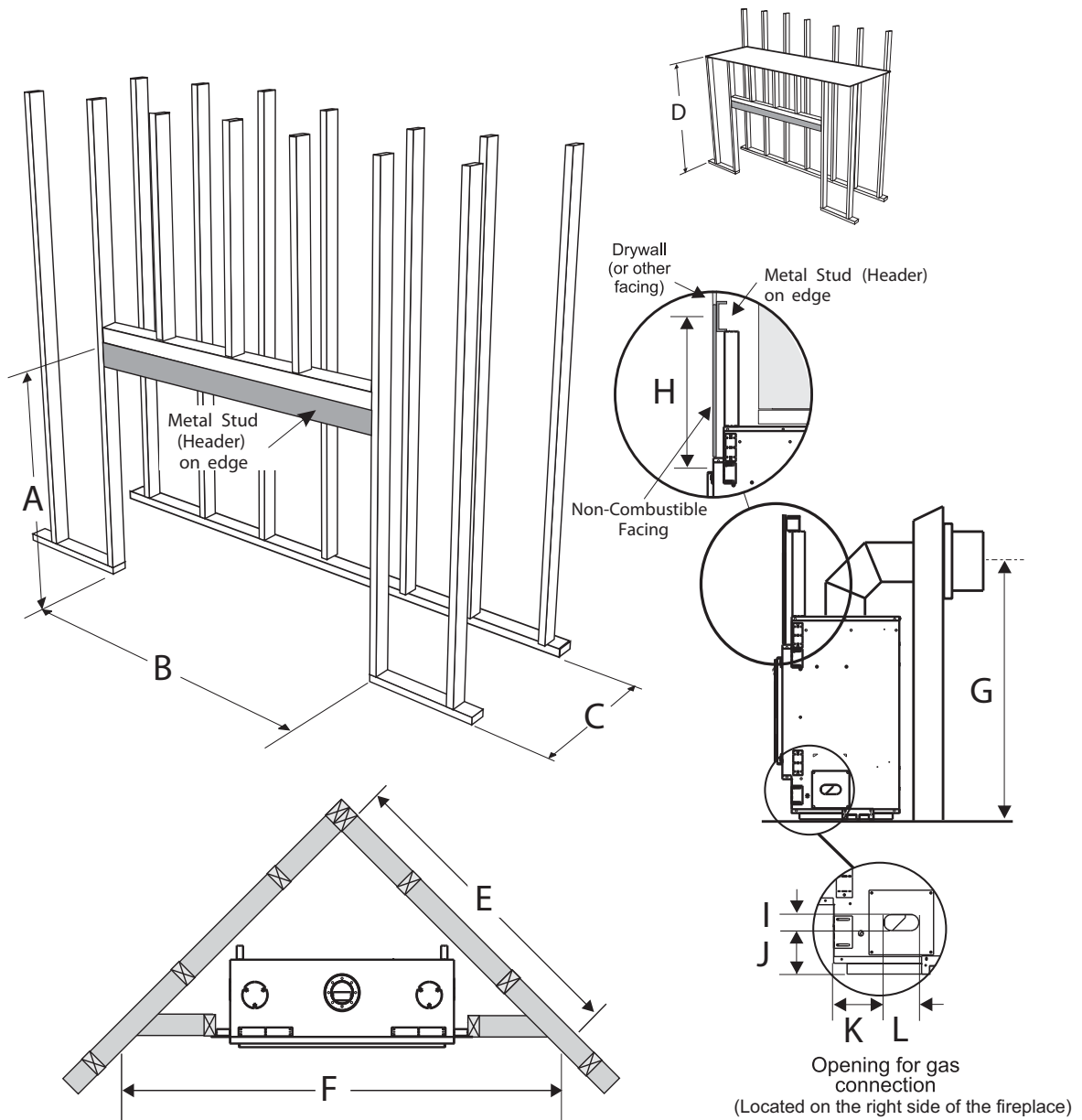


Finished Material	Nailing Strip Position	
13mm	25mm Factory Setting	<p>Nailing Strip 1" Forward</p> <p>Unit</p>
25mm	13mm	<p>Nailing Strip 1/2" Forward</p> <p>Unit</p>
38mm	0mm (flush)	<p>Nailing Strip Flush w/unit Factory Set</p> <p>Unit</p>

INSTALLATION

Framing Dimensions	Description	Gem54
A	Framing Height	46-5/8" (1184mm)
B	Framing Width	60" (1524mm)
C*	Framing Depth*	22" (559mm)
D	Minimum Height to Combustibles	51" (1295mm)
E	Corner Wall Length	72" (1829mm)
F	Corner Facing Wall Width	101-7/8 (2586mm)
G	Vent Centerline Height	44" (1118mm)
H	Non-combustible facing height	20" (508mm)
I	Gas Connection Opening Height	1-1/2" (38mm)
J	Gas Connection Height	4" (102mm)
K	Gas Connection Inset	7-1/4" (184mm)
L	Gas Connection Opening Width	3-1/4" (83mm)

* Framing depth measurement is noted with the side nailing strips set as far forward on the firebox as possible. The nailing strips can be adjusted back - up to 1" (25mm) to allow for varying thicknesses in non-combustible material & wall finishes.



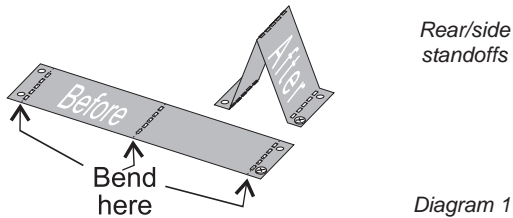
UNIT ASSEMBLY PRIOR TO INSTALLATION

The Top Standoff/ Nailing Strip, side nailing strips and standoffs must be correctly positioned and attached to the unit before sliding the unit into position.

STANDOFF ASSEMBLY

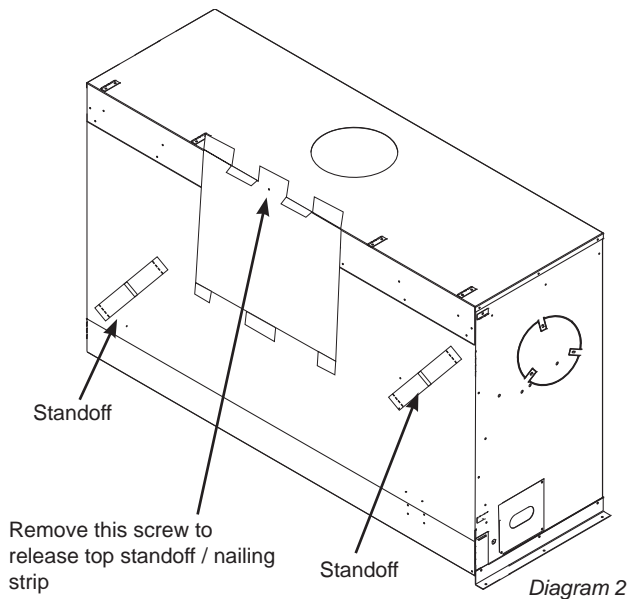
The side, rear and bottom standoffs are shipped in a flat position and must be folded into shape and attached - see diagram 1.

- 1) Remove the standoffs from the unit.
- 2) Take each standoff and bend into the correct shape. Bend up at the bend lines until the screw holes in the standoff and the pre-punched screw holes on the unit line up.



The top stand off / nailing strip is shipped attached to the back of the unit as shown below.

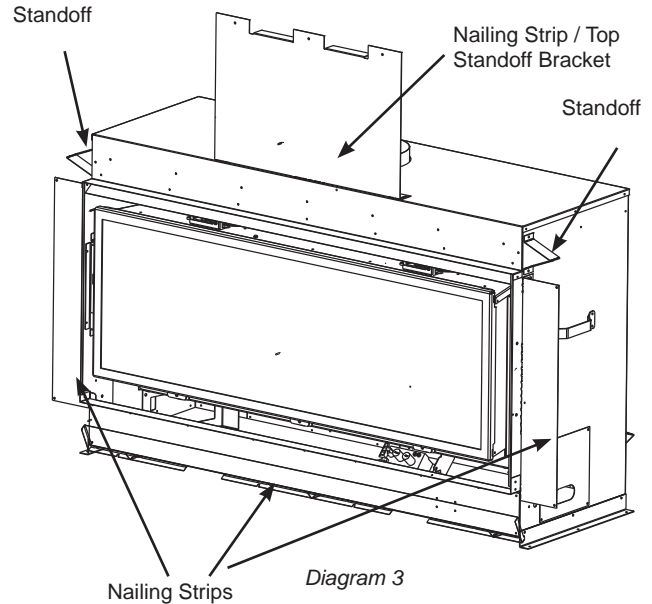
- 1) Remove one screw in location shown below. Replace the screw on the back the unit after removing the standoff / nailing strip.
- 2) Bend the 3 tabs at the bottom of the stand off / nailing strip to 90°, bend in the same direction as the top tabs.
- 3) Install on the top front of the unit as shown in diagram 3. Do not fully tighten the screws when installing - until the facing thickness has been determined.



NAILING STRIPS

The nailing strips come attached to the unit. There is 1 plate on each side, 1 on the top, and one on the bottom that can be folded out as required. The top and side nailing strips are secured to the framing. The bottom nailing strip is secured to the unfinished floor - if installing the unit directly on the floor.

Note: The bottom nailing strip will need to be bent on site and adjusted to accommodate the thickness of the facing material.



IMPORTANT NOTE

Framing depth measurement is noted with the side nailing strips set as far forward on the firebox as possible. The nailing strips can be adjusted back up to 1" to allow for varying thicknesses in non-combustible material & wall finishes.

VENTING INTRODUCTION

The Gem54™ uses the "balanced flue" technology Co Axial system. The inner liner vents products of combustion to the outside while the outer liner draws outside combustion air into the combustion chamber thereby eliminating the need to use heated room air for combustion and losing warm room air up the chimney.

Note: These flue pipes must not be connected to any other appliance.

The gas appliance and vent system must be vented directly to the outside of the building, and never be attached to a chimney serving a separate solid fuel or gas burning appliance. Each direct vent gas appliance must use it's own separate vent system. Common vent systems are prohibited.

VENT RESTRICTOR POSITION

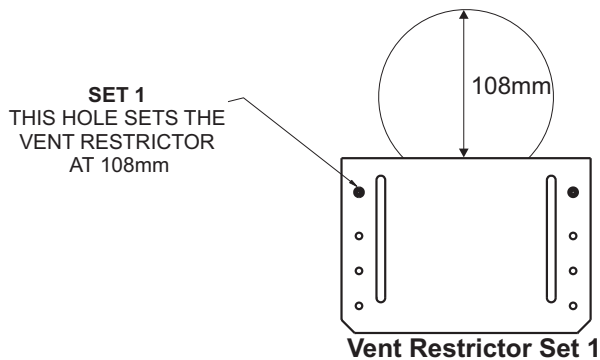
Vent restriction is required for certain venting installations, see the diagrams in the "Venting Arrangements" section to determine if they are required for your installation.

The Vent Restrictor plate is located on the inside top of the firebox.

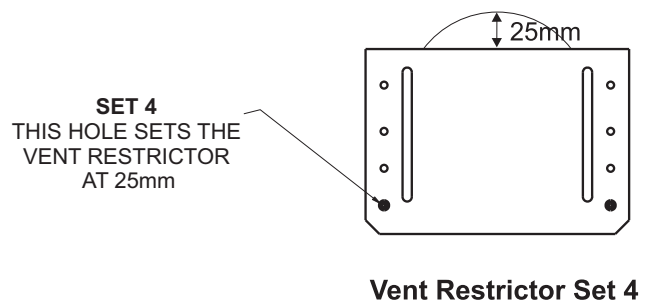
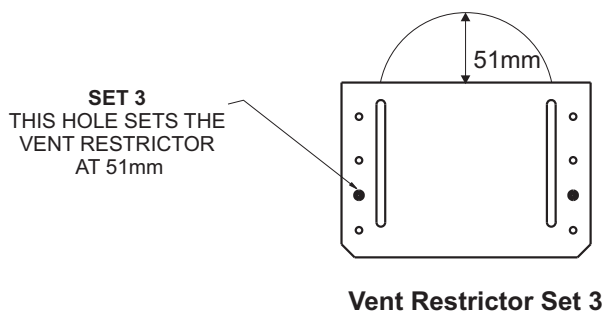
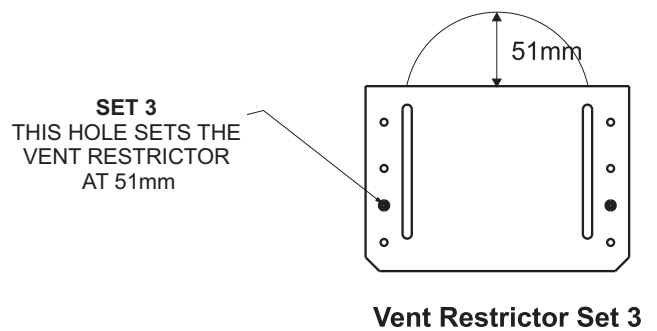
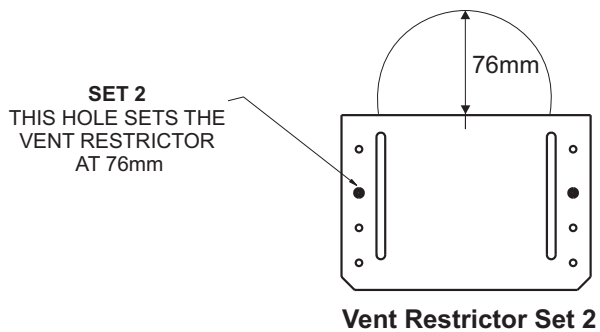
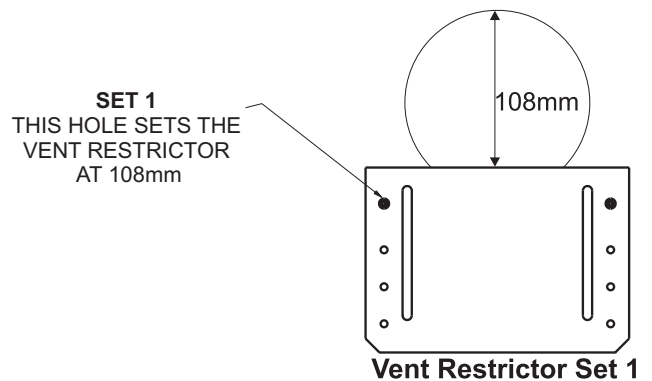
To set the vent restriction as indicated in the venting arrangements diagrams, refer to the following instructions;

- 1) Remove the glass door.
- 2) Remove the screws that hold the vent restrictor plate in place.
- 3) Adjust the vent restrictor plate to the required vent restrictor position as per the diagrams shown.
- 4) Once the vent restrictor plate is in the required position, secure with screws.

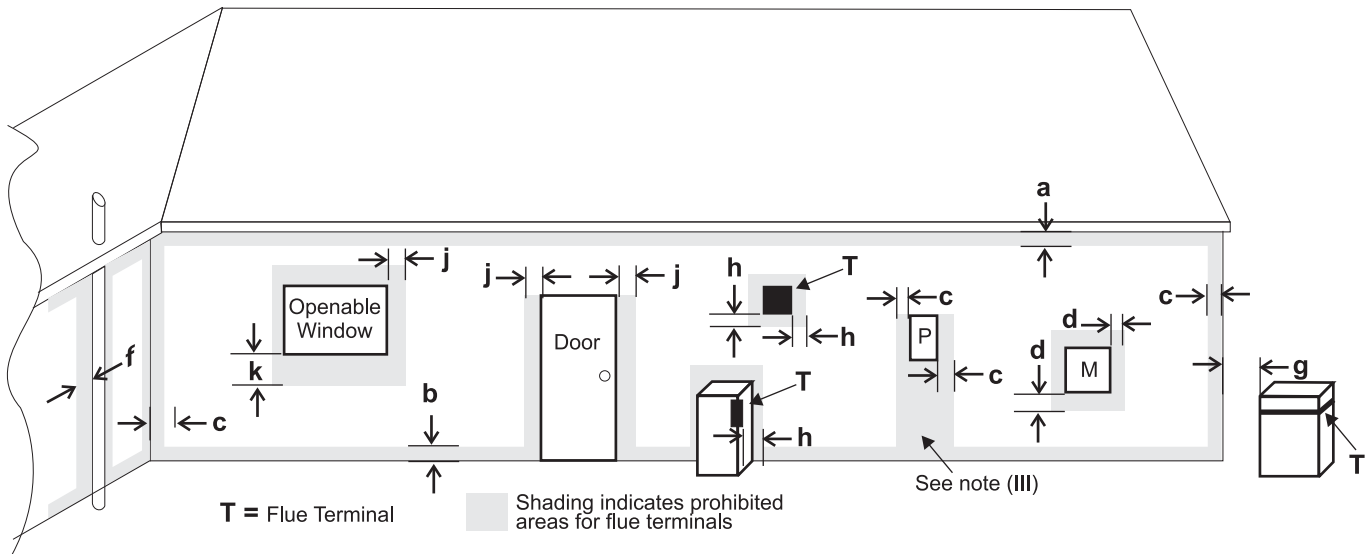
Vent Restrictor Settings for Gem54-NG



Vent Restrictor Settings for Gem54-LP
Gem54-ULPG



EXTERIOR FLUE TERMINATION LOCATIONS



Minimum clearances required for balanced flue terminals or the flue terminals of outdoor appliances according to AS5601-2004 (AGA gas installation code) or NZS 5262 (New Zealand) and local authorities having jurisdiction.

	Minimum Clearance (mm)
a Below eaves, balconies or other projections:	
- Appliances up to 50 MJ/h input	300
- Appliances over 50 MJ/h input	500
b From the ground or above a balcony	300
c From a return wall or external corner	500
d From a gas meter (M)	1000
e From an electricity meter or fuse box (P)	500
f From a drain or soil pipe	150
g Horizontal from any building structure (unless appliance is approved for closer installation) or obstruction facing a terminal	500
h From any other flue terminal, cowl or combustion air intake	500
j Horizontally from an openable window, door, or non-mechanical air inlet, or any other opening into a building, with the exception of sub-floor ventilation (see also Note (I)):	
- Appliances up to 150 MJ/h input	500
- Appliances over 150 MJ/h input	1500
k Vertically below an openable window, door, or non-mechanical air inlet, or any other opening into a building, with the exception of sub-floor ventilation	

(see also Note (I)): see table below			
Clearance 'k' in mm			
Space Heaters	All Other Appliances		
Up to 50 MJ/h input	Up to 50 MJ/h input	Over 50 MJ/h input to 150 MJ/h input	Over 150 MJ/h input
150	500	1000	1500

(I) For mechanical air inlets, including spa blowers, the clearance 'j' and 'k' shall be 1500 mm in all cases.

(II) All distances shall be measured vertically or horizontally along the wall to a point in line with the nearest part of the terminal.

(III) Prohibited area below electricity meter or fuse box extends to ground level.

(IV) A flue terminal of this type shall not be located under a roofed area unless the roofed area is fully open on at least two sides and a free flow of air at the appliance is achieved.

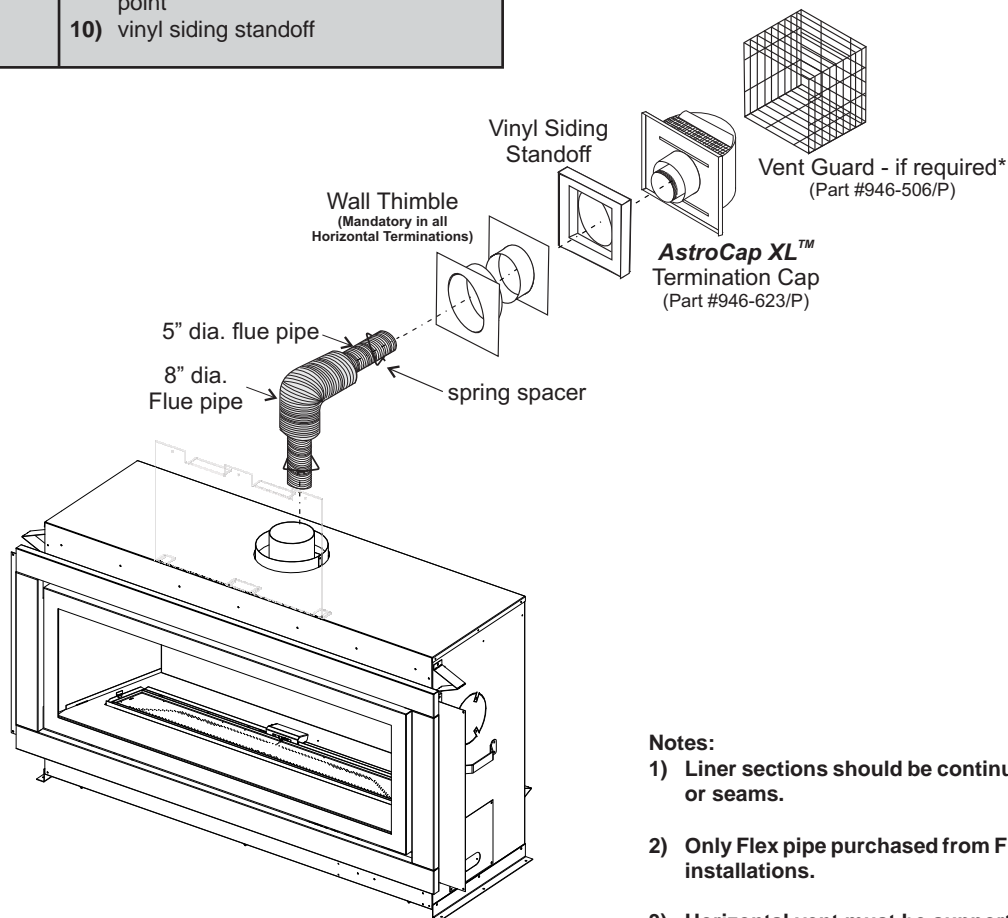
VENTING ARRANGEMENTS

HORIZONTAL TERMINATION (FLEX) Regency® Direct Vent System

These venting systems, in combination with the Gem54, have been tested and listed as a direct vent system by AGA. The location of the termination cap must conform to the requirements in the Vent Terminal Locations diagram from the "Exterior Vent Termination Locations" section.

FPI Direct Vent (Flex) System Termination Kits include all the parts needed to install the Gem54 using a flexible vent.

FPI Kit #	Length	Contains:
#946-615	4 Feet (1.2 m)	1) 8" (203mm) flexible liner (Kit length) 2) 5" (127mm) flexible liner (Kit length) 3) spring spacers
#946-618	6 Feet (1.8 m)	4) thimble 5) AstroCap termination cap 6) screws
#946-616	10 Feet (3 m)	7) tube of Mill Pac 8) plated screws 9) S.S. screws #8 x 1-1/2" (38mm) drill point 10) vinyl siding standoff



Notes:

- 1) Liner sections should be continuous without any joints or seams.
- 2) Only Flex pipe purchased from FPI may be used for Flex installations.
- 3) Horizontal vent must be supported every 3 feet (0.9m).
- 4) A wall thimble is mandatory for all horizontal terminations due to high temperatures.

RIGID PIPE VENTING SYSTEMS

BASIC HORIZONTAL & VERTICAL TERMINATIONS

Rigid Pipe Vent Systems offer a complete line of component parts for installation of both horizontal and vertical installations. Many items are offered in decorative black, as well as galvanized finish.

The minimum components required for a basic Horizontal Termination are:

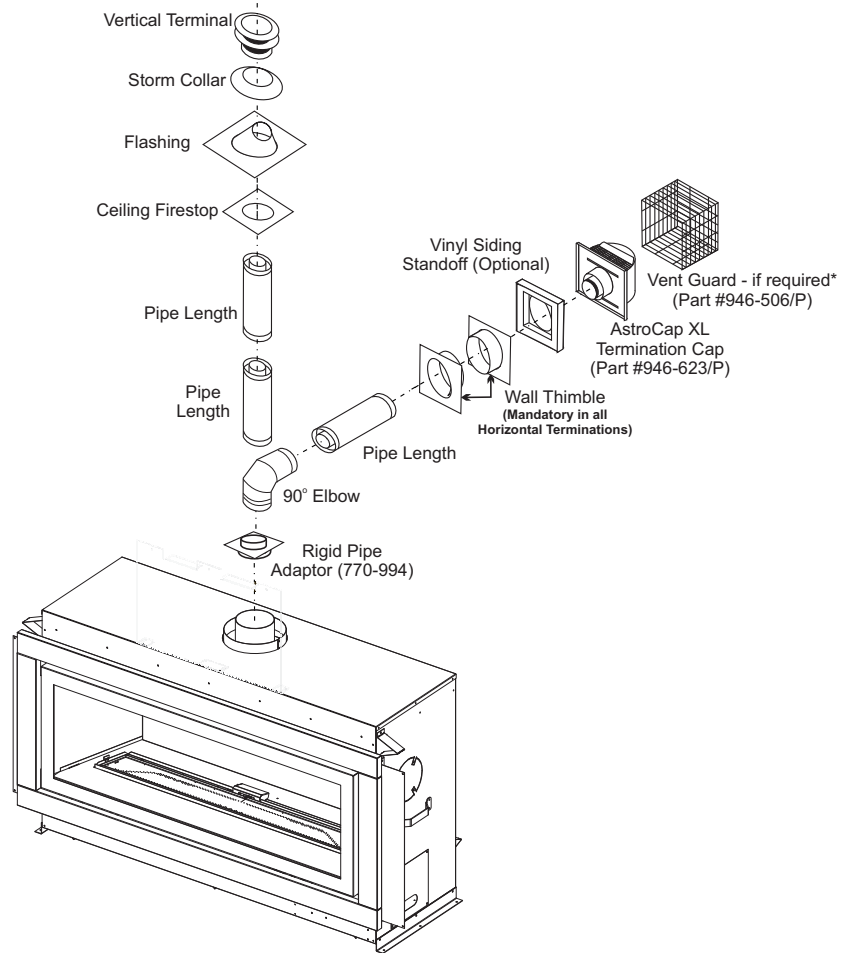
- 1 AstroCap XL Termination Cap
- 1 90° Elbow
- 1 Rigid Pipe Adaptor
- 1 Wall Thimble
- 1 Length of rigid pipe to suit wall thickness

The minimum components required for a basic Vertical Termination are:

- 1 Vertical Termination Cap
- 1 Rigid Pipe Adaptor
- 1 Lengths of pipe to adequately penetrate roof
- 1 Ceiling Firestop
- 1 Flashing
- 1 Storm Collar

Wall thickness is measured from the back standoffs to the inside mounting surface of termination cap. For siding other than vinyl furring strips may be used, instead of the vinyl siding standoff, to create a level surface to mount the vent terminal. The Terminal must not be recessed into siding. Measure the wall thickness including furring strips.

If a Vinyl Siding Standoff is required (it must be used with vinyl siding), measure to outside surface of wall without siding and add 2" (51mm).



WARNING:

Do not combine venting components from different venting systems.

Exception: However, use of the the AstroCap XL™ is acceptable with all systems.

When using Rigid Vent other than Simpson Dura-Vent, 3 screws must be used to secure rigid pipe to adaptor.

5" X 8" RIGID PIPE CROSS REFERENCE CHART

Components from different Manufacturers may not be mixed. Not All Rigid Pipe components are available directly from FPI.

Description	Simpson Direct Vent Pro®	Selkirk Direct Temp™
6" Pipe Length-Galvanized	58DVA-06	5DT-6
6" Pipe Length-Black	58DVA-06B	5DT-6B
9" Pipe Length-Galvanized	58DVA-09	5DT-9
9" Pipe Length-Black	58DVA-09B	5DT-9B
12" Pipe Length-Galvanized	58DVA-12	5DT-12
12" Pipe Length-Black	58DVA-12B	5DT-12B
18" Pipe Length-Galvanized	58DVA-18	5DT-18
18" Pipe Length-Black	58DVA-18B - N/A from FPI	5DT-18B
24" Pipe Length-Galvanized	58DVA-24	5DT-24
24" Pipe Length-Black	58DVA-24B	5DT-24B
36" Pipe Length-Galvanized	58DVA-36	5DT-36
36" Pipe Length-Black	58DVA-36B	5DT-36B
48" Pipe Length-Galvanized	58DVA-48	5DT-48
48" Pipe Length-Black	58DVA-48B	5DT-48B
60" Pipe Length-Galvanized	58DVA-60	N/A
60" Pipe Length-Black	58DVA-60B - N/A from FPI	N/A

Adjustable Length 3"-10"-Galvanized	N/A	N/A
Adjustable Length 3"-10"-Black	N/A	N/A
Adjustable Length 11"-14" -Galvanized	Disc. - See 58DV-08A	5DT-AJ
Adjustable Length 11"-14" -Black	Disc. - See 58DV-08B	5DT-AJB
Extension Pipe 17"-24" -Galvanized	Disc. - See 58DV-16A	N/A
Extension Pipe 17"-24" -Black	Disc. - See 58DV-16AB	N/A
Adjustable Length 8-1/2"-Galvanized	58DVA-08A - N/A from FPI	N/A
Adjustable Length 8-1/2"-Black	58DVA-08AB	N/A
Extension Pipe 16"-Galvanized	58DVA-16A - N/A from FPI	N/A
Extension Pipe 16"-Black	46DVA-16AB	N/A

45° Elbow-Galvanized	58DVA-E45	5DT-EL45
45° Elbow-Black	58DVA-E45B	5DT-EL45B
45° Elbow Swivel-Galvanized	Disc. - See 58DVA-E45	N/A
45° Elbow Swivel-Black	Disc.-See 58DVA-E45B	N/A
90° Elbow-Galvanized	58DVA-E90	5DT-EL90S
90° Elbow-Black	58DVA-E90B	5DT-EL90SB
90° Elbow, Swivel-Galvanized	Disc. - See 46DVA-E45	N/A
90° Elbow, Swivel-Black	Disc. - See 46DVA-E45	N/A
90° Starter Elbow, Swivel-Galvanized	N/A	N/A
Adaptor*	N/A	N/A

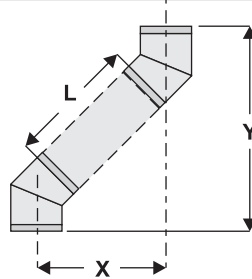
Ceiling Support	58DVA-DC	5DT-CS
Cathedral Support Box	58DVA-CS	5DT-CSS
Wall Support/Band	58DVA-WS	5DT-WS/B
Offset Support	58DVA-ES - N/A from FPI	5DT-OS
Wall Thimble-Black	58DVA-WT	5DT-WT
Wall Thimble Support/Ceiling Support	58DVA-DC - N/A from FPI	N/A
Firestop Spacer	58DVA-FS	5DT-FS
Trim Plate-Black	58DAV-WFS	5DT-TP

Description	Simpson Direct Vent Pro®	Selkirk Direct Temp™
Attic Insulation Shield 12"	58DVA-IS N/A from FPI	N/A
Basic Horizontal Termination Kit (A)	N/A	5DT-HKA
Horizontal Termination Kit (B)	58DVA-KHA	5DT-HKB
Vertical Termination Kit	58DVA-VHA	5DT-VKC
High Wind Vertical Cap	58DVA-VCH	N/A
High Wind Horizontal Cap	N/A	N/A
Horizontal Square Termination Cap	N/A	5DT-HHC
Vertical Termination Cap	N/A	5DT-HVC
Storm Collar	58DVA-SC	5DT-SC
Adjustable Flashing 0/12-6/12	58DVA-F6	5DT-AF6
Adjustable Flashing 6/12-12/12	58DVA-F12	5DT-AF12
Vinyl Siding Standoff	58DVA-VSS	5DT-VS
Vinyl Siding Shield Plate	N/A	5DT-VSP
Snorkel Termination 14"	58DVA-SNK14	N/A
Snorkel Termination 36"	58DVA-SNK36 (N/A - FPI)	N/A
Restrictor Disk	58DVA-RD	N/A
Colinear Flex Connectors	N/A	N/A

FPI			
946-604/P	Simpson Direct Vent -Vent Guard (Optional)	946-623/P	AstroCap XL Horizontal Cap
770-994	Rigid Pipe Adaptor (Must use with all rigid piping)	946-506/P	Vent Guard (Optional)
946-606	Starter collar reducer 5" x 8" to 4" x 6-5/8"	946-625	Vinyl Siding Standoff - AstroCap XL

Note: When using Metal-Fab Sure Seal Rigid Piping - please note that the Adaptor (4DDA) must be used in conjunction with FPI Rigid Pipe Adaptor (510-994).

Offset Pipe Selection: Use this table to determine offset pipe lengths.		
Pipe Length (L)	5" x 8" Venting	
	Run (X)	Rise (Y)
0" (0mm)	5-11/16" (144mm)	15-5/16" (389mm)
6" (152mm)	8-13/16" (224mm)	18-7/16" (468mm)
9" (229mm)	10-15/16" (278mm)	20-9/16" (522mm)
12" (305mm)	13" (330mm)	22-11/16" (576mm)
24" (610mm)	21-7/16" (697mm)	31-1/16" (789mm)
36" (914mm)	29-13/16" (757mm)	39-7/16" (1002mm)
48" (1219mm)	38-1/4" (972mm)	47-7/8" (1216mm)

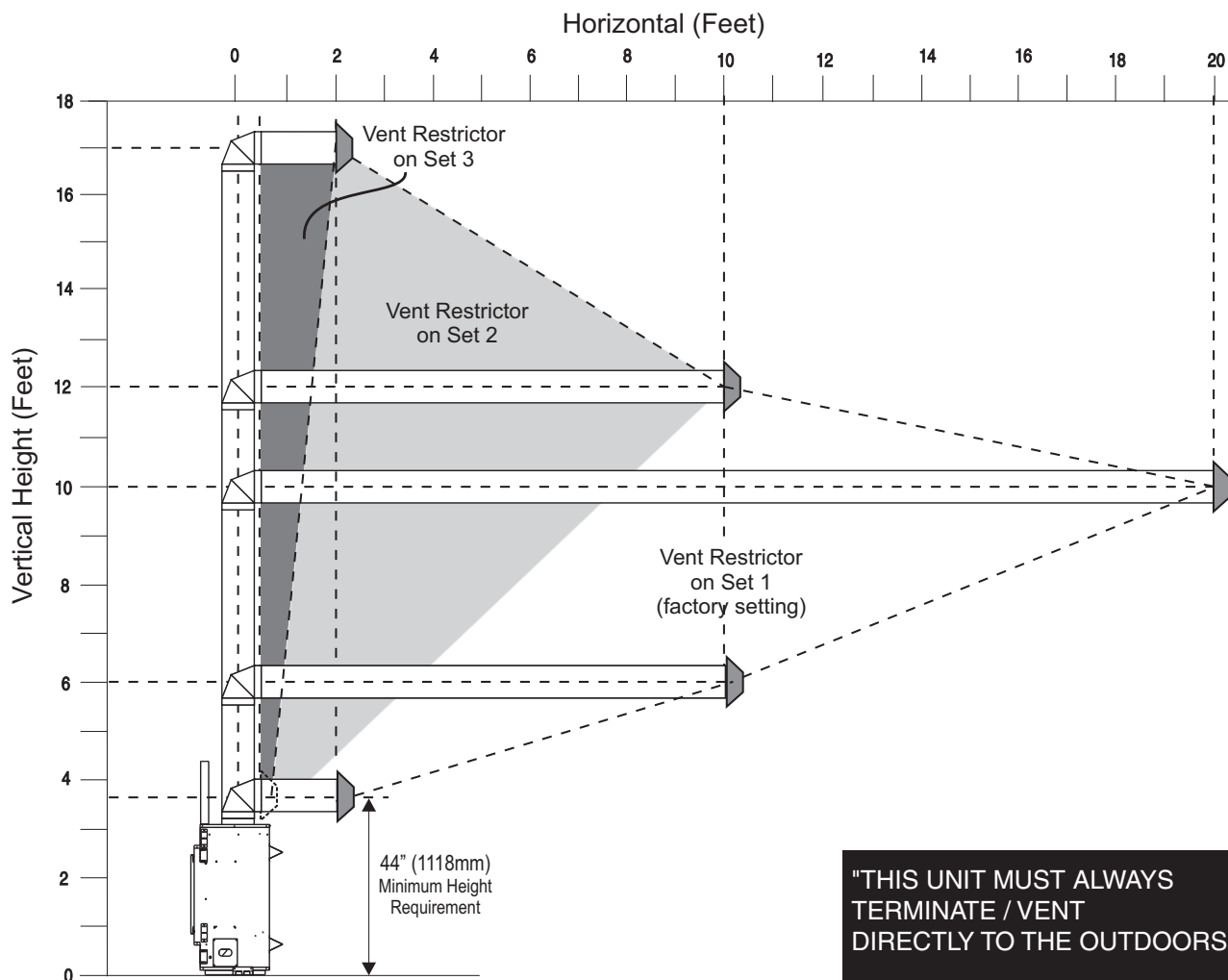


VENTING ARRANGEMENTS

ALLOWABLE HORIZONTAL TERMINATIONS

The diagram shows all allowable combinations of vertical runs with horizontal terminations, using one 90° (two 45° elbows equal one 90° elbow).

Note: Must use optional rigid pipe adapter (Part# 770-994) when using Simpson Duravent Venting Systems.



VENT RESTRICTOR SETTING:

Vent restrictor factory set, no adjustment required unless otherwise indicated.

Refer to the "Vent Restrictor Position" section for details on how to change the vent restrictor from the factory setting of Set 1 to Set 2 or Set 3 if required.

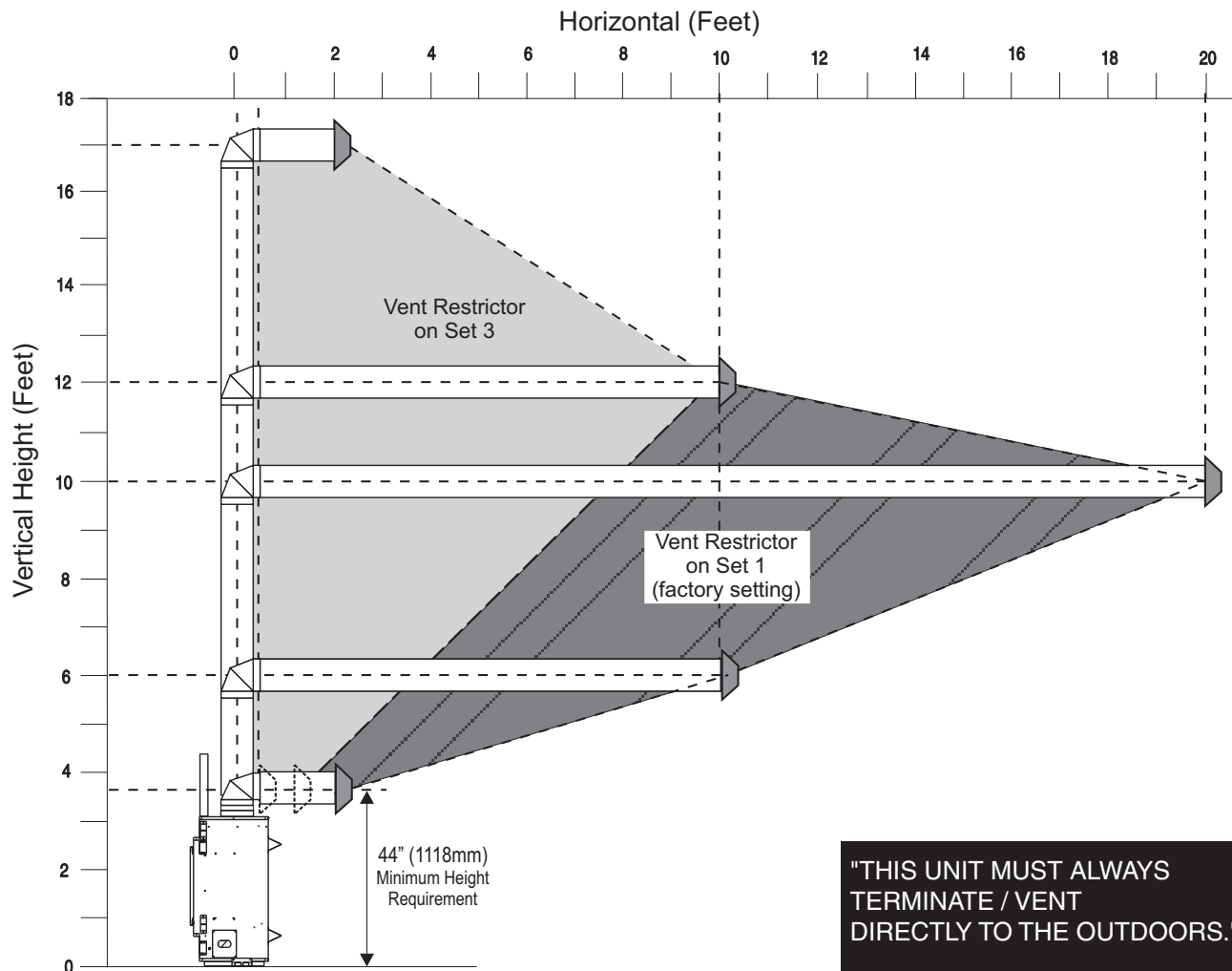
- Maintain clearances to combustibles as listed in "Clearances" section
- Horizontal vent must be supported every 3 ft / 91 cm.
- Firestops are required at each floor level and whenever passing through a wall.
- A wall thimble is mandatory for all horizontal terminations due to high temperatures.

VENTING ARRANGEMENTS

ALLOWABLE HORIZONTAL TERMINATIONS FOR GEM54-LPG/ULPG

The diagram shows all allowable combinations of vertical runs with horizontal terminations, using one 90° (two 45° elbows equal one 90° elbow).

Note: Must use optional rigid pipe adapter (Part# 770-994) when using Rigid Pipe Venting Systems.



VENT RESTRICTOR SETTING:

Vent restrictor factory set, no adjustment required unless otherwise indicated.

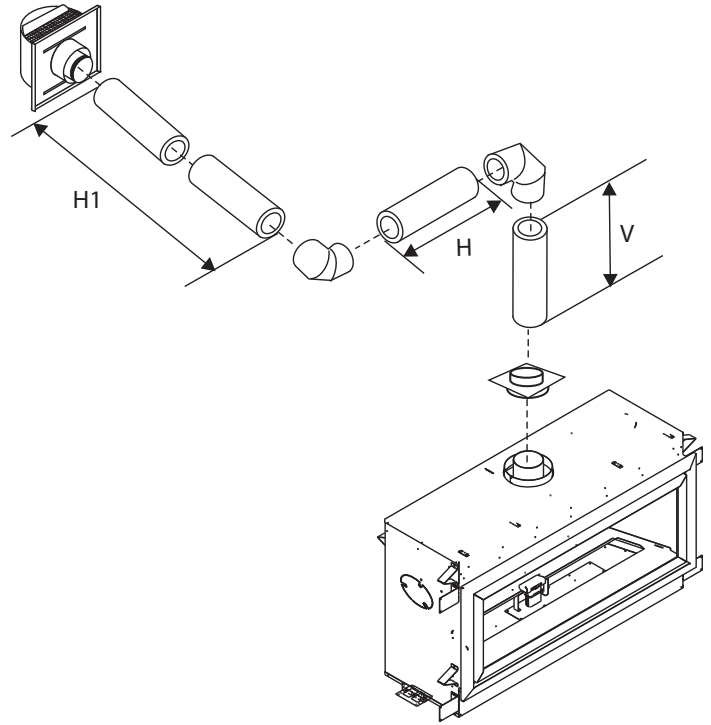
Refer to the "Vent Restrictor Position" section for details on how to change the vent restrictor from the factory setting of Set 1 to Set 3 if required.

Note: Regency® Direct Vent System (Flex) is only approved for horizontal terminations.

- Maintain clearances to combustibles as listed in "Clearances" section
- Horizontal vent must be supported every 3 feet (0.9m).
- Firestops are required at each floor level and whenever passing through a wall.
- A wall thimble is mandatory for all horizontal terminations due to high temperatures.

INSTALLATION

Horizontal Venting with Two (2) 90° Elbows

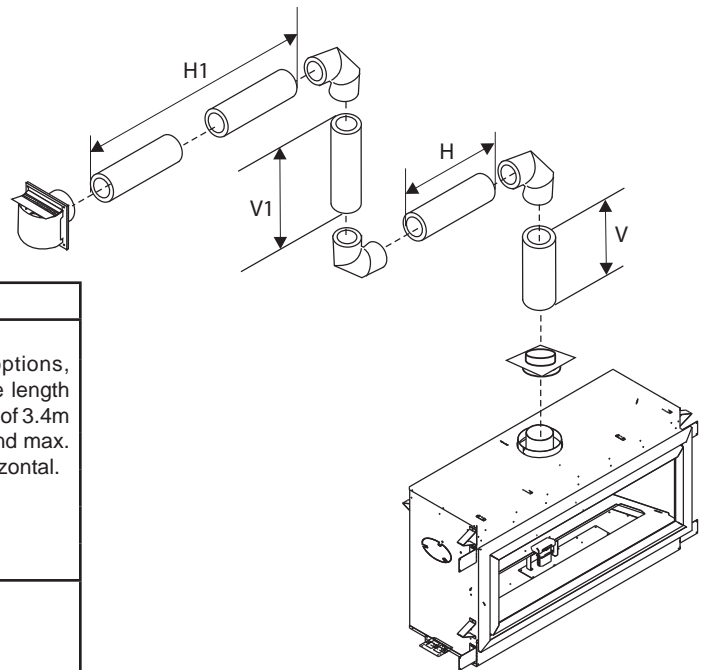


One 90° elbow = Two 45° elbows.			
Option	V	H + H1	
A)	.6m Min.	1.2m Max.	With these options, maximum total pipe length is 9m with minimum of 1.8m total vertical and maximum 3m total horizontal.
B)	.9m Max.	1.8m Max.	
C)	1.2m Max.	2.4m Max.	
D)	1.5m Max.	2.7m Max.	
E)	1.8m Max.	3m Max.	

Please note minimum .3m between 90° elbows is required.

VENT RESTRICTOR SETTING:
Vent restrictor factory set at Set 1, no adjustment required.

Horizontal Venting with Three (3) 90° Elbows

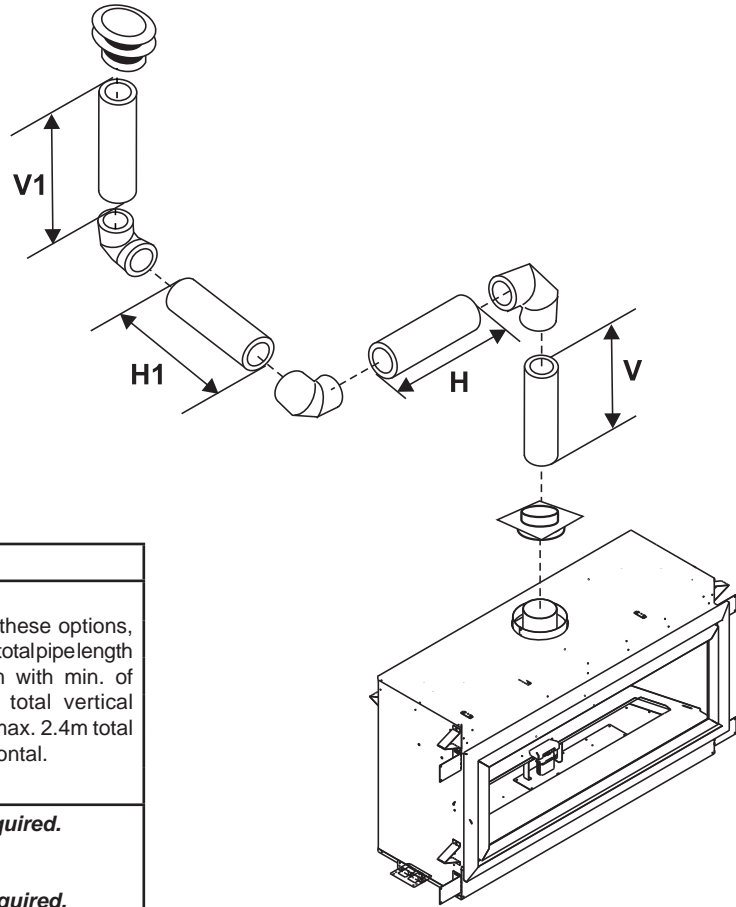


One 90° elbow = Two 45° elbows.					
Option	V	H	V+ V1	H+ H1	
A)	.6m Min.	.3m Max.	.9m Min.	.6m Max.	With these options, max. total pipe length is 9m with min. of 3.4m total vertical and max. 2.7m total horizontal.
B)	.6m Min.	.6m Max.	1.5m Min.	1.2m Max.	
C)	.9m Min.	.6m Max.	2.1m Min.	1.5m Max.	
D)	1.2m Min.	.9m Max.	2.7m Min.	1.8m Max.	
E)	1.5m Min.	1.2m Max.	3m Min.	2.1m Max.	
F)	1.8m Min.	1.8m Max.	3.3m Min.	2.7m Max.	

Please note minimum .3m between 90° elbows is required.

VENT RESTRICTOR SETTING:
Vent restrictor factory set at Set 1, no adjustment required.

Vertical Venting with Three (3) 90° Elbows



<i>One 90° elbow = Two 45° elbows.</i>			
Option	V	H	V+ V1
A)	.6m Min.	.6m Max.	1.2m Min.
B)	.9m Min.	1.2m Max.	1.8m Min.
C)	1.2m Min.	1.5m Max.	2.1m Min.
D)	1.5m Min.	1.8m Max.	2.4m Min.
E)	1.8m Min.	2.4m Max.	2.7m Min.

With these options, max. total pipe length is 9m with min. of 2.7m total vertical and max. 2.4m total horizontal.

Please note minimum .3m between 90° elbows is required.

VENT RESTRICTOR SETTING:
Vent restrictor factory set at Set 1, no adjustment required.

VENTING ARRANGEMENTS

ALLOWABLE VERTICAL TERMINATIONS FOR GEM54-NG

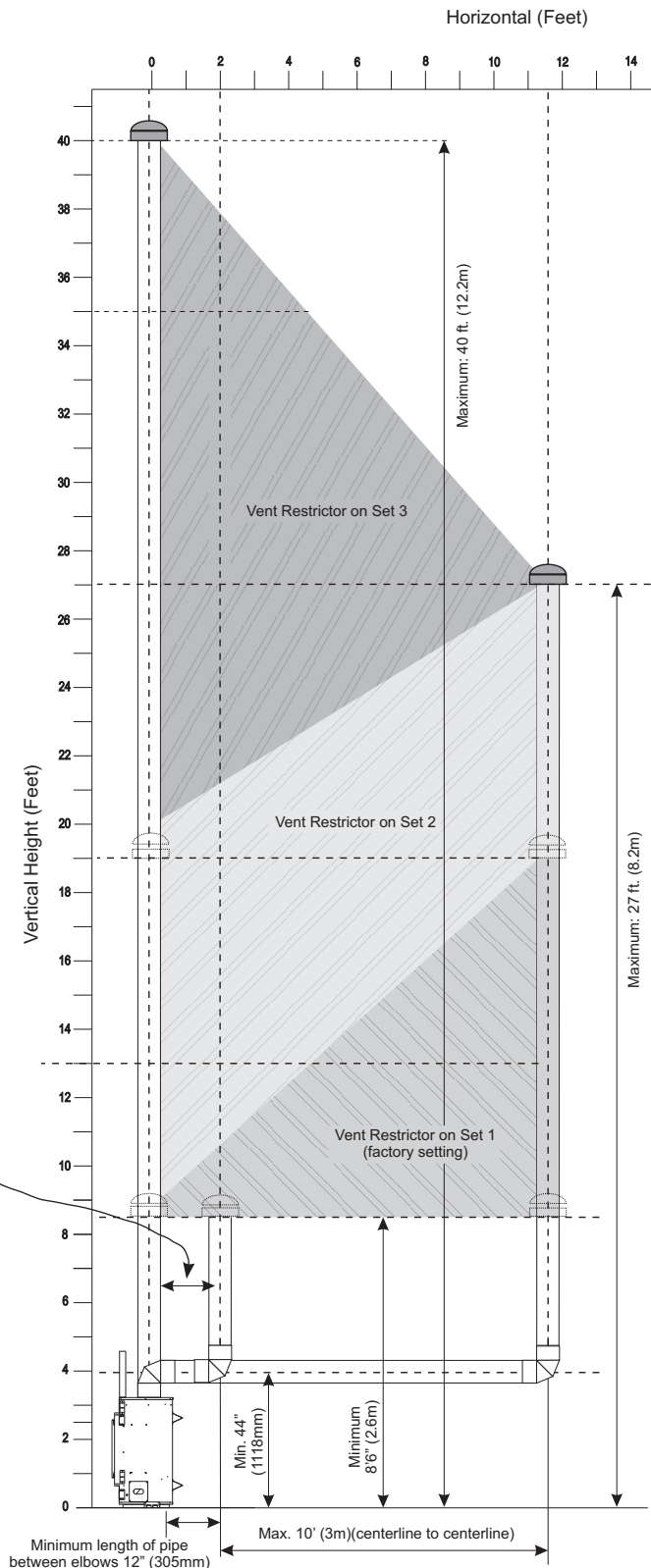
The shaded area in the diagram shows all allowable combinations of straight vertical and offset to vertical terminations, using two 90° elbows, with **Rigid Pipe Venting Systems** for Natural Gas. Two 45° elbows equal to one 90° elbow. Maximum of four 45° elbows allowed.

"THIS UNIT MUST ALWAYS TERMINATE / VENT DIRECTLY TO THE OUTDOORS."

Please note min. 0.3m between 90° elbows is required.

- Vent must be supported at offsets.
- Firestops are required at each floor level and whenever passing through a wall.
- Maintain clearances to combustibles as listed in the "Clearances" section.
- Refer to the "Vent Restrictor Position" section for details on how to change the vent restrictor from the factory setting of Set 1 to Set 2 or Set 3 if required.

Note: Must use optional flue adaptor when using Rigid Pipe (Part # 770-994).



VENTING ARRANGEMENTS

ALLOWABLE VERTICAL TERMINATIONS FOR GEM54-LPG/ULPG

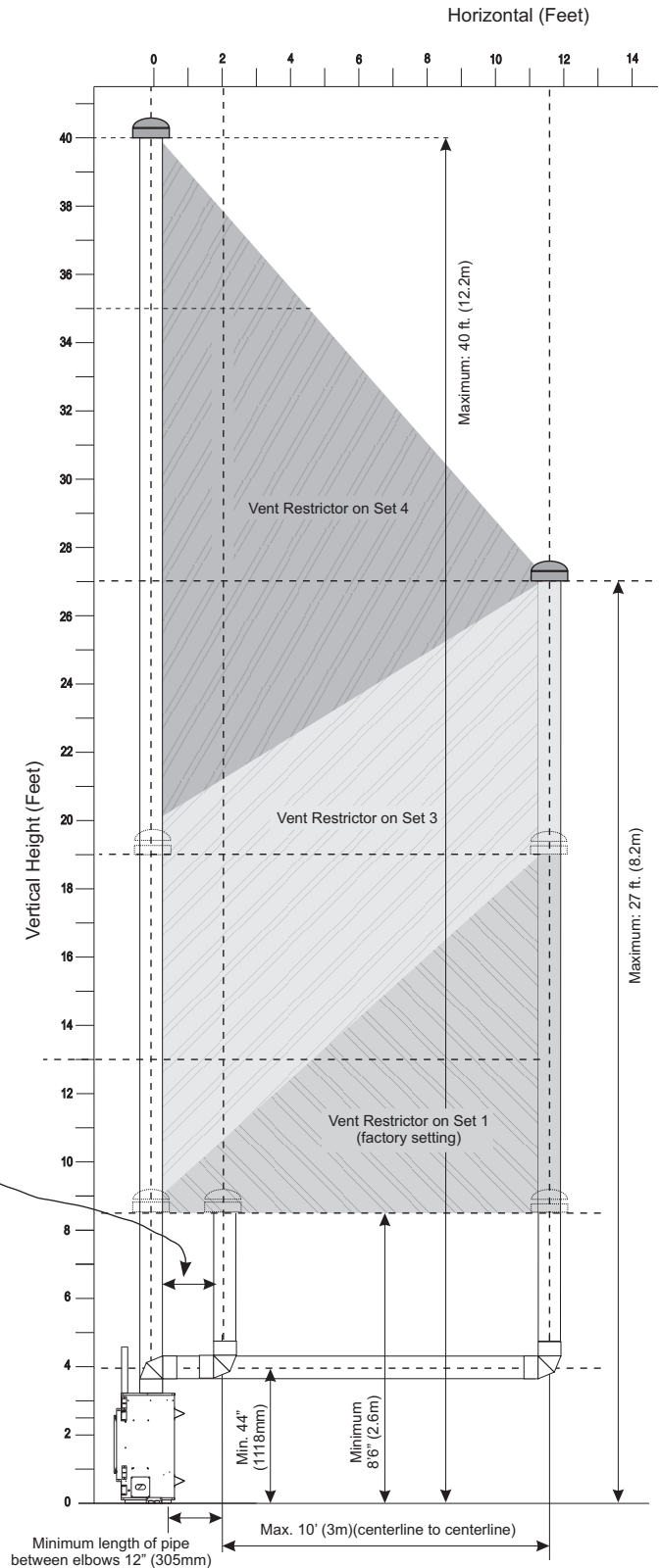
The shaded area in the diagram shows all allowable combinations of straight vertical and offset to vertical terminations, using two 90° elbows, with **Rigid Pipe Venting Systems** for Natural Gas. Two 45° elbows equal to one 90° elbow. Maximum of four 45° elbows allowed.

"THIS UNIT MUST ALWAYS TERMINATE / VENT DIRECTLY TO THE OUTDOORS."

Please note min. 1 ft/305mm between 90° elbows is required.

- Vent must be supported at offsets.
- Firestops are required at each floor level and whenever passing through a wall.
- Maintain clearances to combustibles as listed in the "Clearances" section.
- Refer to the "Vent Restrictor Position" section for details on how to change the vent restrictor from the factory setting of Set 1 to Set 3 or Set 4 if required.

Note: Must use optional flue adaptor when using Rigid Pipe (Part # 770-994).



UNIT INSTALLATION WITH HORIZONTAL TERMINATION (Rigid Vent Systems)

Atop clearance of 3" (76mm) and side & bottom clearance of 2" (51mm) must be maintained; except when passing through a wall, ceiling, or at the termination where the use of a firestop or wall thimble reduces the required clearance to 1-1/2" (38mm). We recommend framing a 11" (279mm) x 11" (279mm) (inside dimensions) hole to give structural rigidity for mounting the termination.

Install the vent system according to the manufacturer's instructions included with the components.

- 1) Set the unit in its desired location. Check to determine if wall studs or roof rafters are in the way when the venting system is attached. If this is the case, you may want to adjust the location of the unit. Rough in the gas preferably on the right side of the unit.
- 2) Direct Vent pipe and fittings are designed with special twist-lock connections to connect the venting system to the appliance flue outlet. A twist-lock appliance adaptor is required.
- 3) In conjunction with the Simpson Direct Vent Pro system, install the adaptor after the unit is set in its desired location. Put a bead of high temperature silicone inside the outer section of the adaptor and a bead of Mill Pack on the inner collar. Slip the adaptor over the existing inner and outer flue collar. Fasten to the outer collar only with the 3 supplied screws (drilling pilot holes will make this easier).
- 4) Level the fireplace and fasten it to the framing using nails or screws through the top and side nailing strips.
- 5) Assemble the desired combination of pipe and elbows to the appliance adaptor and twist-lock for a solid connection.

Note: For best results and optimum performance with each approved venting system, it is highly recommended to apply "Mill-Pac" sealant (supplied) to every inner pipe connection. Failure to do so may result in drafting or performance issues not covered under warranty. Silicone (red RTV) is optional.

"THIS UNIT MUST ALWAYS TERMINATE / VENT DIRECTLY TO THE OUTDOORS."

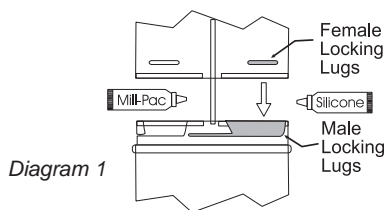


Diagram 1

Horizontal runs of vent must be supported every 3 feet (0.9meter). Wall straps are available for this purpose.

- 6) Mark the wall for a 11" x 11" (279mm x 279mm) square hole. The center of the square hole should line up with the center-line of the horizontal pipe. Cut and frame the 11 inch (279mm) square hole in the exterior wall where the vent will be terminated. See diagram 2 for center line requirements.

If the wall being penetrated is constructed of non-combustible material, i.e. masonry block or concrete, an 8" (203mm) diameter hole is acceptable.

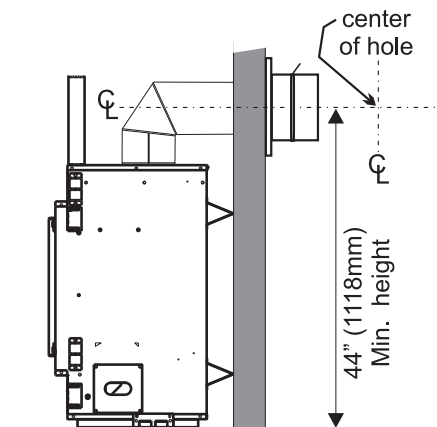


Diagram 2

Note:

- a) The horizontal run of vent must be level, or have a 1/4"/6mm rise for every 1 ft/305mm of run towards the termination. Never allow the vent to run downward. This could cause high temperatures and may present the possibility of a fire.
- b) The location of the horizontal vent termination on an exterior wall must meet all local and national building codes, and must not be blocked or obstructed. See "Exterior Vent Termination Locations" section for more details.

- 7) Ensure that the pipe clearances to combustible materials are maintained (Diagram 3). Install the termination cap.

Note: If installing termination on a vinyl siding covered wall, a vinyl siding standoff or furring strips must be used to ensure that the termination is not recessed into the siding.

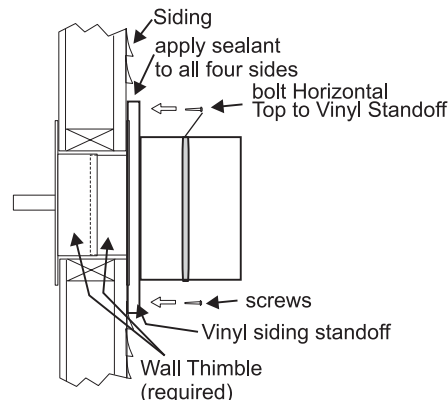


Diagram 3

The four wood screws provided should be replaced with appropriate fasteners for stucco, brick, concrete, or other types of sidings.

- 8) Before connecting the horizontal run of vent pipe to the vent termination, slide the Wall Thimble over the vent pipe. The wall thimble is required for all horizontal terminations.
- 9) Slide the appliance and vent assembly towards the wall carefully inserting the vent pipe into the vent cap assembly. It is important that the vent pipe extends into the vent cap sufficient distance so as to result in a minimum pipe overlap of 1-1/4 inches (32mm). Secure the connection between the vent pipe and the vent cap.
- 10) Install wall thimble in the center of the 11" (279mm) square and attach with wood screws (Diagram 4).

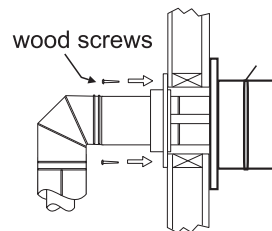


Diagram 4

UNIT INSTALLATION WITH VERTICAL TERMINATION (Rigid Vent Systems)

Note: A clearance of 2"(51mm) must be maintained; except when passing through a wall, ceiling, or at the termination where the use of a firestop or wall thimble reduces the required clearance to 1-1/2" (38mm). We recommend framing a 11"(279mm) x 11"(279mm) (inside dimensions) hole to give structural rigidity for mounting the termination.

1) Maintain the 1-1/2" (38mm) clearances (air spaces) to combustibles when passing through ceilings, walls, roofs, enclosures, attic rafter, or other nearby combustible surfaces, ensuring that the use of a firestop or wall thimble is used as noted above. Do not pack air spaces with insulation. Check "Venting Arrangement - Vertical Termination" section for the maximum vertical rise of the venting system and the maximum horizontal offset limitations.

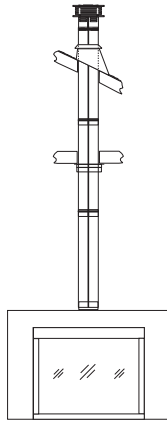


Diagram 1

2) Set the gas appliance in its desired location. Drop a plumb bob down from the ceiling to the position of the appliance flue exit, and mark the location where the vent will penetrate the ceiling. Drill a small hole at his point. Next, drop a plumb bob from the roof to the hole previously drilled in the ceiling, and mark the spot where the vent will penetrate the roof. Determine if ceiling joists, roof rafters or other framing will obstruct the venting system. You may wish to relocate the appliance or to offset, as shown in Diagram 2 to avoid cutting load bearing members.

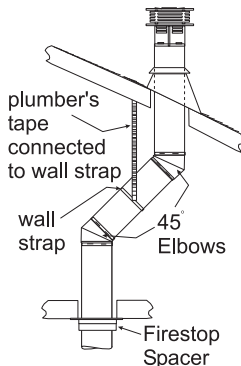


Diagram 2

3) A Firestop spacer must be installed in the floor or ceiling of every level.

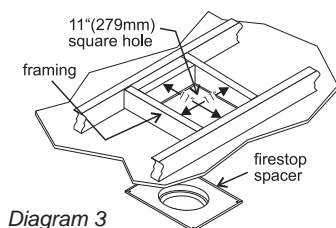
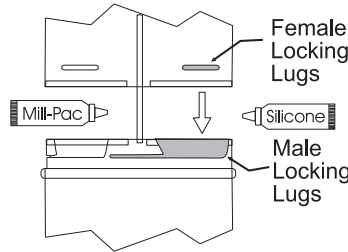


Diagram 3

4) Assemble the desired lengths of pipe and elbows. Ensure that all pipes and elbow connections are in the fully twist-locked position and sealed.

Note:

For best results and optimum performance with each approved venting system, it is highly recommended to apply "Mill-Pac" sealant (supplied) to every inner pipe connection. Failure to do so may result in drafting or performance issues not covered under warranty. Silicone (red RTV) is optional.



5) Cut a hole in the roof centered on the small drilled hole placed in the roof in Step 2. The hole should be of sufficient size to meet the minimum requirements for clearance to combustibles of 1-1/2"(38mm). Slip the flashing under the shingles (shingles should overlap half the flashing) as per Diagram 4.

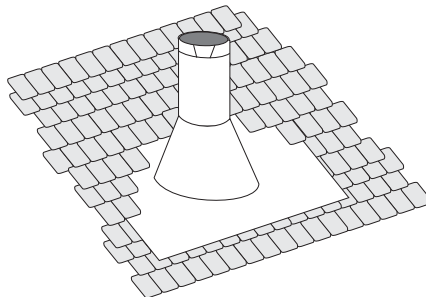


Diagram 4: The upper half of the flashing is installed under the roofing material and not nailed down until the chimney is installed. This allows for small adjustments.

6) Continue to assemble pipe lengths.

Note: If an offset is necessary in the attic to avoid obstructions, it is important to support the vent pipe every 3 feet (0.9 meter), to avoid excessive stress on the elbows, and possible separation. Wall straps are available for this purpose (Diagram 2).

Galvanized pipe is desirable above the roofline due to its higher corrosion resistance. Continue to add pipe sections through the flashing until the height of the vent cap meets the minimum height requirements specified in Diagram 5 or local codes. Note that for steep roof pitches, the vertical height must be increased.

"THIS UNIT MUST ALWAYS TERMINATE / VENT DIRECTLY TO THE OUTDOORS."

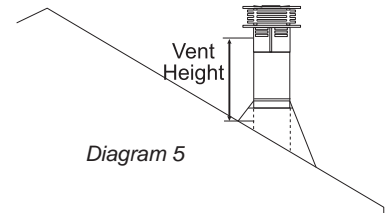


Diagram 5

Roof Pitch	Minimum Vent Height	
	Feet	Meters
flat to 7/12	2	0.61
over 7/12 to 8/12	2	0.61
over 8/12 to 9/12	2	0.61
over 9/12 to 10/12	2.5	0.76
over 10/12 to 11/12	3.25	0.99
over 11/12 to 12/12	4	1.22
over 12/12 to 14/12	5	1.52
over 14/12 to 16/12	6	1.83
over 16/12 to 18/12	7	2.13
over 18/12 to 20/12	7.5	2.29
over 20/12 to 21/12	8	2.44

A poor draft, or down drafting can result from high wind conditions near big trees or adjoining roof lines, in these cases, increasing the vent height may solve the problem.

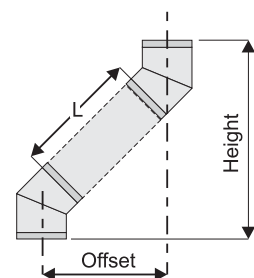
7) Ensure vent is vertical and secure the base of the flashing to the roof with roofing nails, slide storm collar over the pipe section and seal with a mastic.

8) Install the vertical termination cap by twist-locking it.

Note: Any closets or storage spaces, which the vent passes through must be enclosed.

Offset Chart

GS 8"(203mm) Nominal Diameter ID					
Offset		Pipe Length (L)		Height	
inches	mm	inches	mm	inches	mm
4 3/4	121	0	0	13 1/4	337
9	229	6	152	17 1/2	445
11 1/4	286	9	229	19 1/2	495
13 1/4	337	12	305	21 3/4	552
21 3/4	552	24	610	30 1/4	768
30 1/4	768	36	914	39	991
38	965	48	1219	47	1194



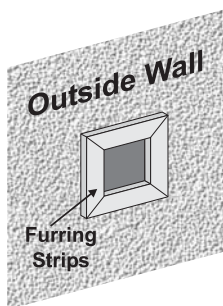
INSTALLATION

UNIT INSTALLATION

(With Horizontal Termination Flex System)

Note: A top clearance of 3"(76mm) and side & bottom clearance of 2"(51mm) must be maintained; except when passing through a wall, ceiling, or at the termination where the use of a firestop or wall thimble reduces the required clearance to 1-1/2" (38mm). We recommend framing a 11"(279mm) x 11"(279mm) (inside dimensions) hole to give structural rigidity for mounting the termination.

- 1) Locate the unit in the framing, rough in the gas (preferably on the right side of the unit). Locate the centerline of the termination and mark wall accordingly. Cut an 11"(279mm) hole in the wall (inside dimension).



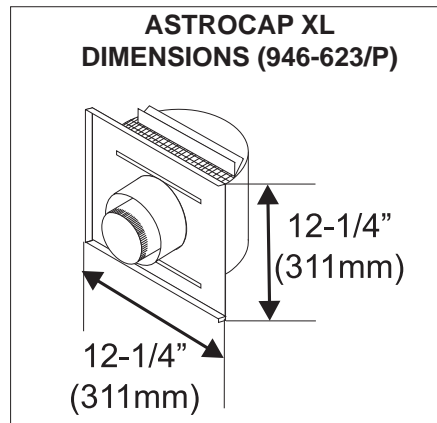
Note: If installing termination on a siding covered wall, a vinyl siding standoff or vinyl furring strips must be used to ensure that the termination is not recessed into the siding.

- 2) Level the fireplace and fasten it to the framing using nails or screws through the nailing strips.
- 3) Assemble the vent assembly by applying Mill Pac to the 5"(127mm) inner collar of the termination and slipping the 5"(127mm) liner over it at least 1-3/8" (35mm). Fasten with the 3 screws (drilling pilot holes will make this easier). Apply Mill Pac or high temperature silicone to the 8"(203mm) flex pipe and slip it over the 8" outer collar of the vent terminal at least 1-3/8"(35mm) and fasten with the 3 screws.

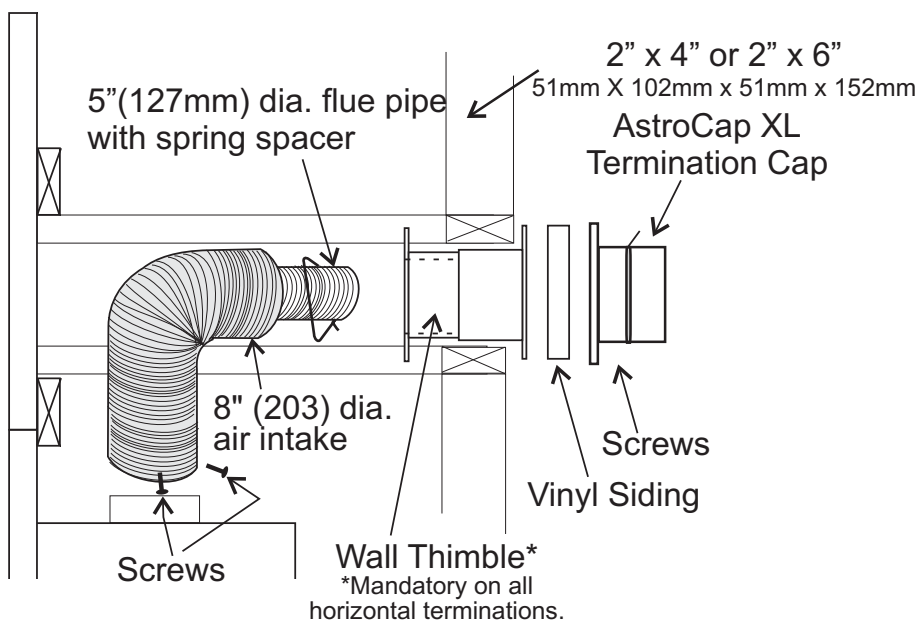
NOTE: Horizontal sections must be supported at intervals not exceeding 3 feet (0.9 meter). (Flame picture and performance will be affected by sags in the liner).

- 4) Separate the 2 halves of the wall thimble and securely fasten the one with the tabs to the outside wall making sure that the tabs are on top and bottom. Fasten the other thimble half to the inside wall. The thimble halves slip inside each other and can be adjusted for 2 x 4 or 2 x 6 walls.
- 5) Slip the assembled liner and termination assembly through the thimble making sure the termination cap faces up (there are markings on the cap that show which way is up). This will position the termination cap with proper down slope for draining water. Fasten the cap to the outer wall with the 4 supplied screws.
- 6) Pull the centre 5"(127mm) liner and outer 8"(203mm) liner out enough to slip over the flue collars of the fireplace. (You may wish to cut the liner shorter to make it more workable.) Do not bend liner more than 90°. **The liners must slip over the collars a minimum of 1-3/8".**
- 7) Apply Mill Pac over the fireplace inner collar and slip the 5"(127mm) liner down over it and attach with 3 supplied screws.
- 8) Do the same with the 8"(203mm) liner.
- 9) Apply a bead of silicone between the thimble and termination and around the outer edge of the terminal at the wall in order to keep the water out.

IMPORTANT: Do not locate termination hood where excessive snow or ice buildup may occur. Be sure to check vent termination area after snow falls, and clear to prevent accidental blockage of venting system. When using snow blowers, make sure snow is not directed towards vent termination area.



"THIS UNIT MUST ALWAYS TERMINATE / VENT DIRECTLY TO THE OUTDOORS."



Gem54-NG SYSTEM DATA	
Min. Supply Pressure	1.13 kpa
Low Setting Man. Pressure	0.4kpa
Max. Manifold Pressure	0.87 kpa
Injector Size	#32 DMS
Minimum Input	26.2 mj
Maxiumm Input	35.9 mj

Gem54-LPG SYSTEM DATA	
Min. Supply Pressure	2.74 kpa
Low Setting Man. Pressure	1.6 kpa
Max. Manifold Pressure	2.49 kpa
Injector Size	#51 DMS
Minimum Input	26.4 mj
Maxiumm Input	32.2 mj

Gem54-ULPG SYSTEM DATA	
Min. Supply Pressure	2.74 kpa
Low Setting Man. Pressure	1.6 kpa
Max. Manifold Pressure	2.49 kpa
Injector Size	#52 DMS
Minimum Input	22.6 mj
Maxiumm Input	28.7 mj

HIGH ELEVATION

This unit is approved for altitude 0 to 1372m.

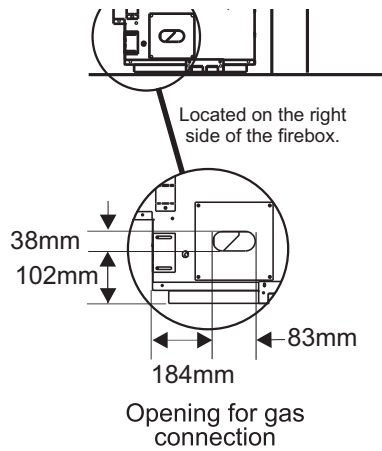
GAS LINE INSTALLATION

Since some municipalities have additional local codes it is always best to consult with your local authorities.

When using copper or flex connectors use only approved fittings. Always provide a union so that gas lines can be easily disconnected for servicing. Flare nuts for copper lines and flex connectors are usually considered to meet this requirement.

NOTE: A shutoff / dante valve should be supplied in or near the unit (or as per local codes) for ease of servicing this appliance.

IMPORTANT: Always check for gas leaks with a soap and water solution or gas leak detector. Do not use open flame for leak testing.

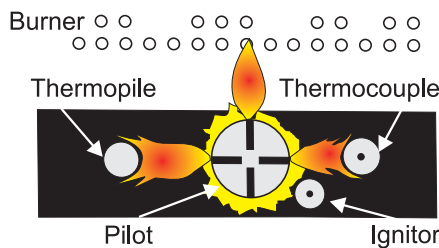


PILOT ADJUSTMENT

Periodically check the pilot flames. Correct flame pattern has three strong blue flames: 1 flowing around the thermopile, 1 around the thermocouple and 1 flowing across the burner (it does not have to be touching the burner).

Note: If you have an incorrect flame pattern, contact your Regency® dealer for further instructions.

Incorrect flame pattern will have small, probably yellow flames, not coming into proper contact with the rear burner or thermopile or thermocouple.



GAS PIPE PRESSURE TESTING

The appliance must be isolated from the gas supply piping system by closing its individual manual shut-off valve during any pressure testing of the gas supply piping system at test pressures equal to or less than 1/2 psig. (3.45 kPa). Disconnect piping from valve at pressures over 1/2 psig.

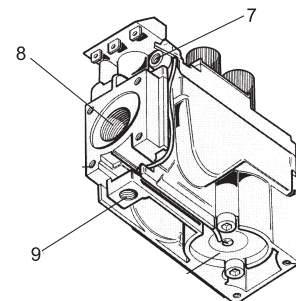
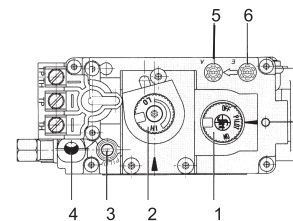
The manifold pressure is controlled by a regulator built into the gas control, and should be checked at the pressure test point.

Note: To properly check gas pressure, both inlet and manifold pressures should be checked using the valve pressure ports on the valve.

- 1) Make sure the valve is in the "OFF" position.
- 2) Loosen the "IN" and/or "OUT" pressure tap(s), turning counterclockwise with a 1/8" (3.175 mm) wide flat screwdriver.
- 3) Attach manometer to "IN" and/or "OUT" pressure tap(s) using a 5/16" (7.9 mm) ID hose.
- 4) Light the pilot and turn the valve to "ON" position.
- 5) The pressure check should be carried out with the unit burning and the setting should be within the limits specified on the safety label.
- 6) When finished reading manometer, turn off the gas valve, disconnect the hose and tighten the screw (clockwise) with a 1/8" (3.175 mm) flat screwdriver. **Note: Screw should be snug, but do not over tighten.**

S.I.T. VALVE DESCRIPTION

- 1) Gas on/off knob
- 2) Manual high/low adjustment
- 3) Pilot Adjustment
- 4) Thermocouple Connection - option
- 5) Outlet Pressure Tap
- 6) Inlet Pressure Tap
- 7) Pilot Outlet
- 8) Main Gas Outlet
- 9) Alternative TC Connection Point



CONVERSION KIT # 476-967 FROM NG TO LPG CONVERSION KIT #476-968 FROM NG TO ULPG FOR GEM54™ USING SIT 820 NOVA GAS VALVE

**THIS CONVERSION MUST BE DONE BY A QUALIFIED GAS FITTER
IF IN DOUBT DO NOT DO THIS CONVERSION !!**

Each Kit contains one LPG Conversion Kit # 476-968

LPG Conversion Kit Contains:

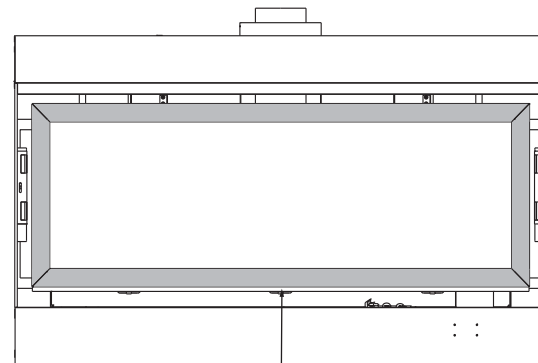
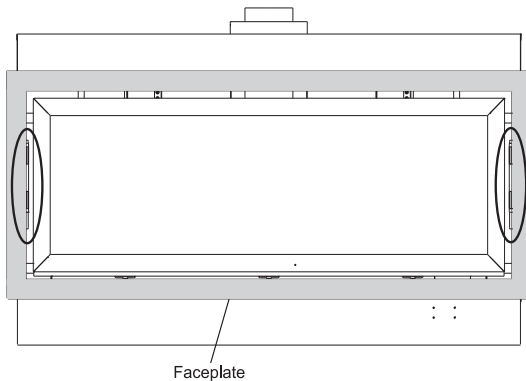
Qty.	Part #	Description
1	904-645	Burner Orifice #51
1	918-590	Decal "Converted to LPG"
1	908-528	Red "LPG" label
1	904-529	5/32" Allen Key
1	910-037	LPG Injector (Pilot Orifice)
1	918-798	Instruction Sheet

Each Kit contains one ULPG Conversion Kit # 476-967

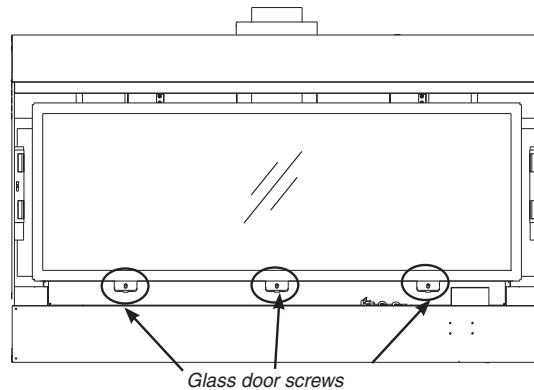
ULPG Conversion Kit Contains:

Qty.	Part #	Description
1	904-390	Burner Orifice #52
1	918-272	Decal "Converted to ULPG"
1	918-273	Red "ULPG" label
1	904-529	5/32" Allen Key
1	910-037	LPG Injector (Pilot Orifice)
1	918-798	Instruction Sheet

- 1) **Warning:**
Turn off the unit by way of the wall switch or remote.
Allow unit to cool at least 10 min. - prior to removing the faceplate.
- 2) Shut off the gas supply to the unit.
- 3) Remove the faceplate by lifting it up off the hinges on the sides of the firebox.



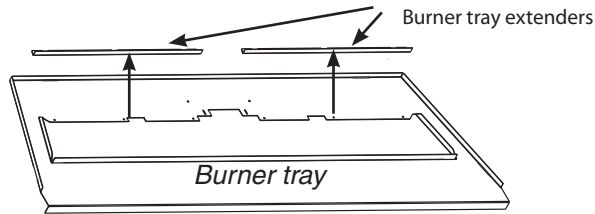
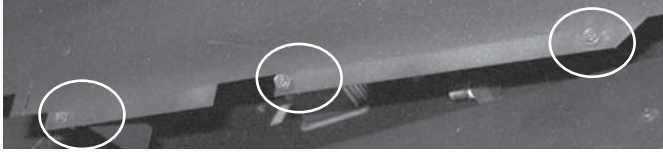
- 4) Remove the door frame overlay by swinging out 45° from the bottom and lift up and out.
- 5) Remove the glass door by removing 3 screws and then swinging the door out 45° from the bottom and lift up and out.



- 6) Remove the following, if installed:
 - a) Colbalt Glass Crystals
 - b) Optional Ceramic Stones
 - c) Pebbles
 - d) Stainless Steel Panels (see instructions in manual)

7) Loosen 6 screws that secure the burner extenders on burner tray, located behind the burner on either side of the pilot assembly.

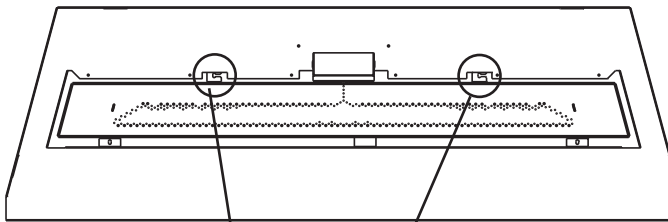
8) Lift out the 2 burner tray extenders.



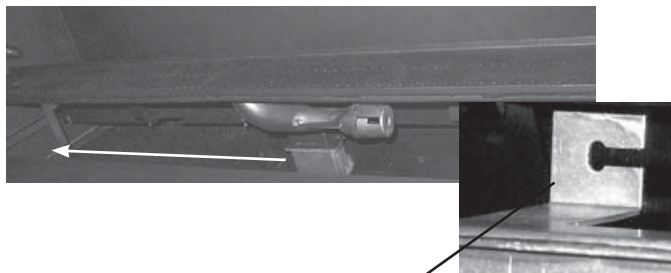
Burner tray extenders

9) After extenders have been removed. Remove the 2 screws that secure the burner tray, at the base of the firebox.

10) Slide the burner to the left and lift it out.



Location of screws securing burner



Burner Bracket

11) With burner removed - lift out burner tray.



12) Pull off the pilot cap to expose the pilot orifice. (see below)



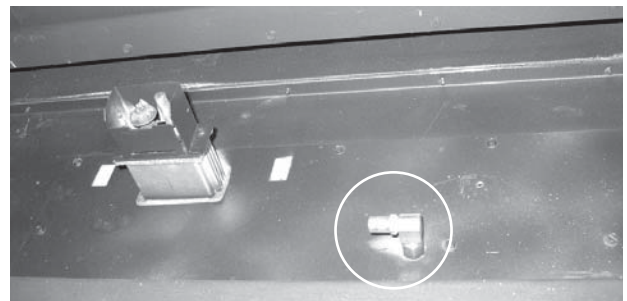
Pilot Orifice

Pilot Cap

13) Unscrew the pilot orifice with the Allen key and replace with the LPG pilot orifice in the kit and replace pilot cap (see below).



14) Remove burner orifice with a 1/2" wrench and discard. Use another wrench to hold on to the elbow below the orifice (see below).



15) Reinstall new burner orifice LPG stamped #51 or ULPG burner orifice stamped # 52 and tighten.

INSTALLATION

- 15) Turn control knob to the "OFF" position.
- 16) Remove the black protection cap by hand from the high-low knob (Fig.1).

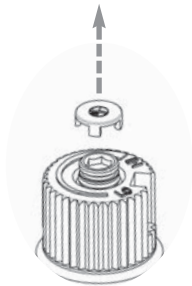


Fig. 1

- 17) Insert a 5/32" or 4mm Allen wrench into the hexagonal key-way of the screw (Fig. 2), rotate it counter-clockwise until it is free and extract it.

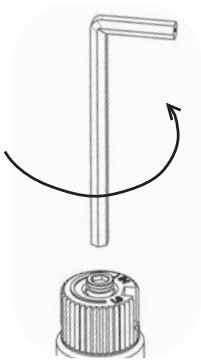


Fig. 2

- 18) Check that the screw is clean and if necessary remove dirt.
- 19) Flip the screw (Fig. 3).

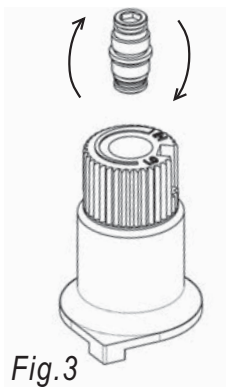


Fig. 3

- 20) Using the Allen wrench as shown in Fig.4, rotate the screw clockwise until snug, do not overtighten.

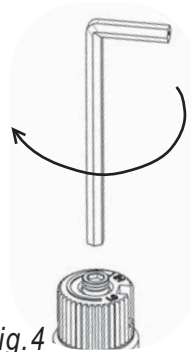


Fig. 4

WARNING!
Do not overtighten the screw.
Recommended to grip the wrench by the short side.

- 21) Verify that if the conversion is from NG to LPG, the screw must be re-assembled with the red o-ring visible (Fig. 5).

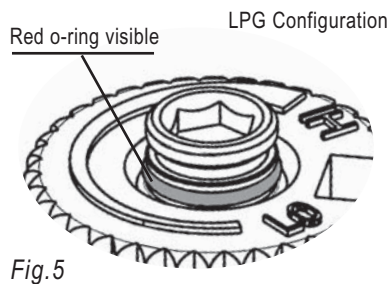


Fig. 5

- 22) Re-assemble the black protection cap (Fig. 6).

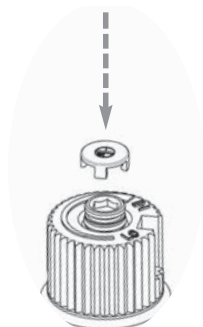


Fig. 6

WARNING!
Also check that the pilot and main burner injectors are appropriate for the gas type.

- 23) Attach the label "This unit has been converted to LPG (or ULPG)" near or on top of the serial # decal.
- 24) Replace yellow "NG" label with red "LPG" or ULPG label.
- 25) Adjust aeration settings according to the fuel type.

NG 13mm
LP Full open 22 mm
ULPG Full open 22mm
- 26) Reverse steps 11-1
- 27) Check for gas leaks.
- 28) Check inlet and outlet pressures.
- 29) Check operation of flame control.
- 30) Check for proper flame appearance.

AERATION ADJUSTMENT

The burner aeration is factory set but may need adjusting due to either the local gas supply or altitude. Open the air shutter for a blue flame or close for a more yellow flame.

Minimum Air Shutter Opening:

NG	13mm
LP	Full open 22 mm
ULPG	Full open 22mm

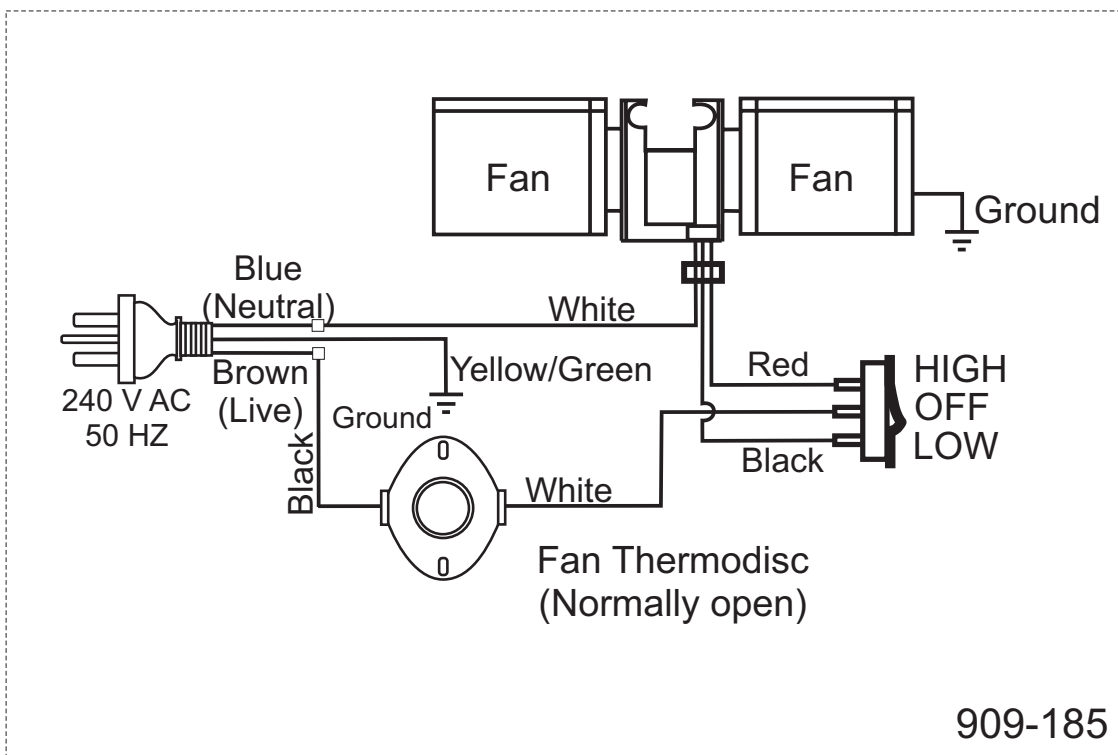
CAUTION: Carbon will be produced if air shutter is not fully open.

Note: Any damage due to carboning resulting from improperly setting the aeration controls is NOT covered under warranty.

WIRING DIAGRAM

Caution: Ensure that the wires do not touch any hot surfaces and are away from sharp edges.

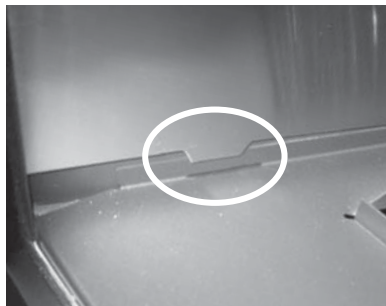
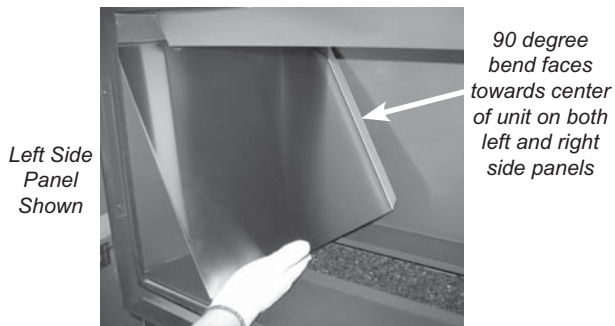
CAUTION: Label all wires prior to disconnection when servicing controls. Wiring errors can cause improper and dangerous operation.



OPTIONAL STAINLESS STEEL REFLECTIVE PANEL INSTALLATION

Before you start:
Stainless panels must be inspected for scratches and dimples prior to installation. All claims to be recorded at this time. Claims for damage after installation will not receive consideration.
To protect the finish during installation and handling - cotton gloves MUST be worn at all times while handling the panels (even when removing protective coating).
Stainless panels will discolor a little during normal operation. This is normal and should not be considered a defect.
All hand and finger marks MUST be cleaned off with a soft cloth and a stainless steel cleaner. Most stainless steel cleaners leave a film/residue on the surface of the panels. Use an ammonia based cleaner (ie. glass cleaner) to remove this film before applying heat to the unit. Failure to do this will result in burn stain on panels which you will be unable to remove. This is not a warranty item.
Warning: Turn off the unit by way of the wall switch or remote. Allow unit to cool at least 10 min. - prior to removing faceplate.

- 1) Position the left side panel in place - **top of panel in first**, then fit the bottom tab into the slot at the bottom of the firebox as shown below. Repeat for right side panel.



- 2) Fit the back panel into position by clearing the pilot shield - **bottom of panel goes in first**. Then fit the tabs on the bottom left and right side of the back panel into the slots at the base of the firebox.

Secure the back panel in place by placing the brackets over the screws on the top of the inside left and right side of the firebox and tighten the screw to hold the bracket against the back panel shown below.



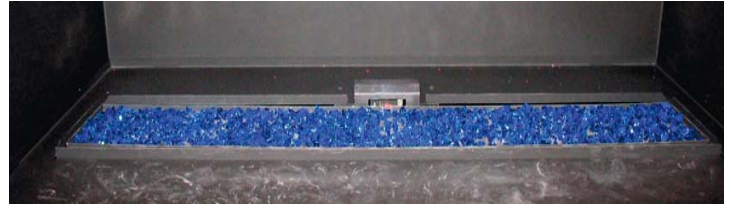
GLASS CRYSTALS OR OPTIONAL CERAMIC STONES INSTALLATION ON BURNER

Gem54 Glass Crystal/Optional Ceramic Spa Stone Quantity	
Glass Crystals only	2 bags
*Ceramic Spa Stones	1 bag glass crystals + 70 ceramic spa stones
* 1 bag of glass crystals must be used on burner when using ceramic spa stones.	

Evenly spread an appropriate amount of glass crystals (approx. 12mm) or optional ceramic stones over the burner. Ensure the crystals or stones do not excessively overlap as this will effect the flame pattern.

NOTE: When installing, use either the supplied crystals or optional ceramic stones with one bag of glass crystals. Only the supplied and approved Cobalt Blue Glass Crystals or Optional Ceramic Stones are to be used with this fireplace. Use of any other type of glass crystals or stones can alter the unit's performance and is not covered under warranty.

Warning: Turn off the unit by way of the wall switch or remote. Allow unit to cool at least 10 min. - prior to removing faceplate.



Glass Crystals shown on Burner



Optional Ceramic Stones + Glass Crystals shown on burner.

OPTIONAL PEBBLE INSTALLATION FOR FIREBOX BASE

There is an optional pebble package to choose from:

1) Natural River Pebbles

Spread the pebbles evenly on the exposed base of the firebox. Pebbles are **NOT** to be placed anywhere on the burner or over top of the Cobalt Blue Glass Crystals or optional Ceramic Spa Stones.

Warning: Turn off the unit by way of the wall switch or remote. Allow unit to cool at least 10 min. - prior to removing faceplate.

NOTE: Only the supplied and approved pebbles are to be used. Use of any other type of pebbles or material can create a danger and will void warranty.



Natural River Pebbles shown surrounding the Burner

LOG SET INSTALLATION

Installation of Reflective Panels must be completed before installing the log set.

Read the instructions below carefully and refer to the images. If the logs are broken do not use the unit until they are replaced. Broken logs can interfere with pilot operation.

Improper positioning of the logs may create carbon build-up and can alter the unit's performance which is not covered under warranty.

Log kit # 476-930 contains the following pieces:

Part #	Description
A x 2	Log
B x 2	Log
C x 2	Log
D x 2	Log
476-103 x 12	Pin Clips
946-669	Platinum Embers

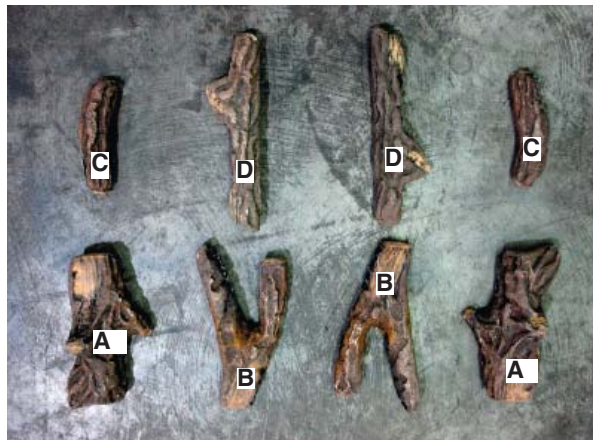


Diagram 1

1) Remove the following if already installed:

- a) Faceplate
- b) Glass Door
- c) Pebbles
- d) Glass Crystals
- e) Stones

Note: Aeration Setting is set at 1/2" from the factory. The following are recommended settings for NG and LP units when using the log set :
 NG = 1/2"
 LP = Full Open

2) Attach the 12 pin clips to the bottom cover (not the burner) in the exact locations indicated by an X, as shown in Diagram 2 below.

Note: Front and back measurements originate from the centre line of burner.
 Side measurements originate from front edge of the bottom cover (see Diagram 3).

All measurements along the front and back edge originate from centre line.
 Centerline indicated by "V" cut out on the rear edge of the burner.

Note: Units may have dimples on the burner to indicate pin clip installation points. If dimples are not present on the burner, follow the above directions.

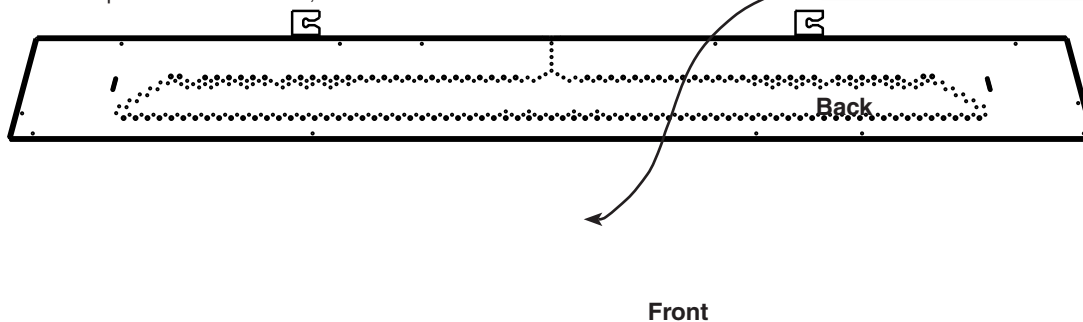


Diagram 2

3) Pin clips are attached to the lip edge of the bottom cover (not the burner) see diagrams 3 & 4.

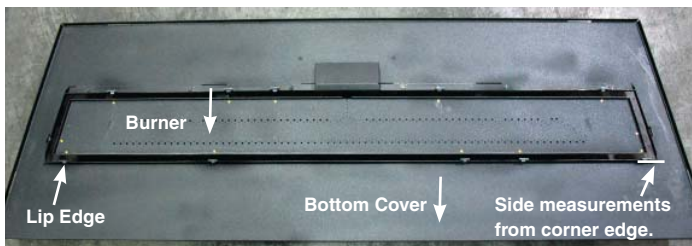


Diagram 3

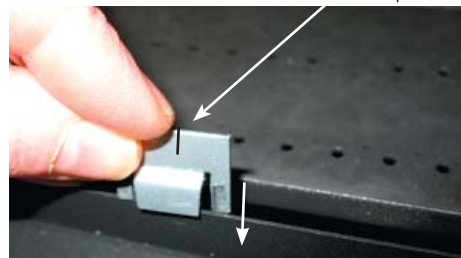


Diagram 4

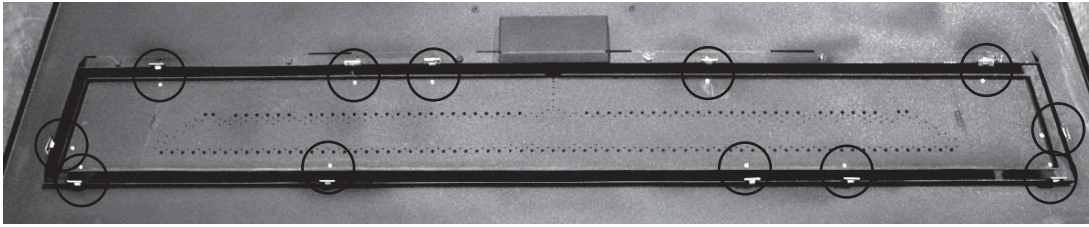


Diagram 5

*Pin clips installed - dots indicate dimple locations.
Actual dimples/pin clips are black - not white as shown

- 4) Install the glass crystals (see glass crystal installation section in this manual).



Diagram 6

- 5) Place platinum embers on glass crystals as shown in diagram 7.



Diagram 7

- 6) If installing optional pebbles - install pebbles before log installation.



Diagram 8

INSTALLATION

7) Place logs A + B on the burner, rest logs on the pin clips, as shown in diagram 9.

Note: Logs should be oriented exactly as shown in diagram 9.

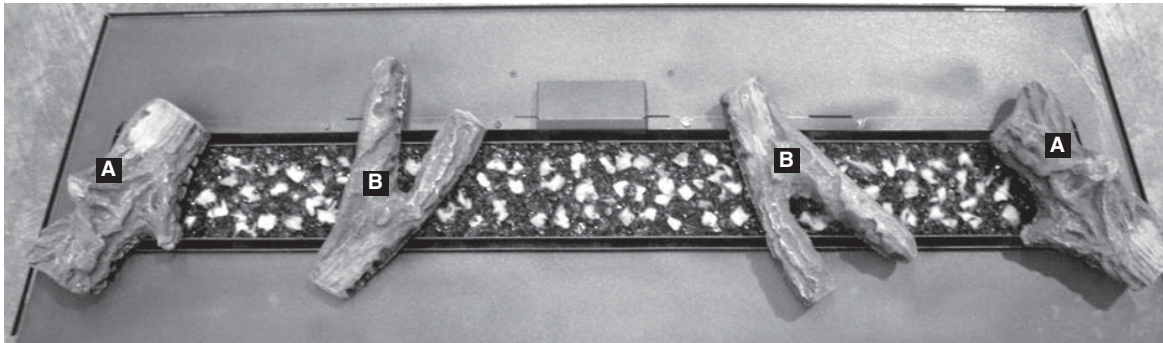


Diagram 9

8) Place logs C + D on logs A + B, as shown in diagram 10.

Note: Logs should be oriented exactly as shown in diagram 10.

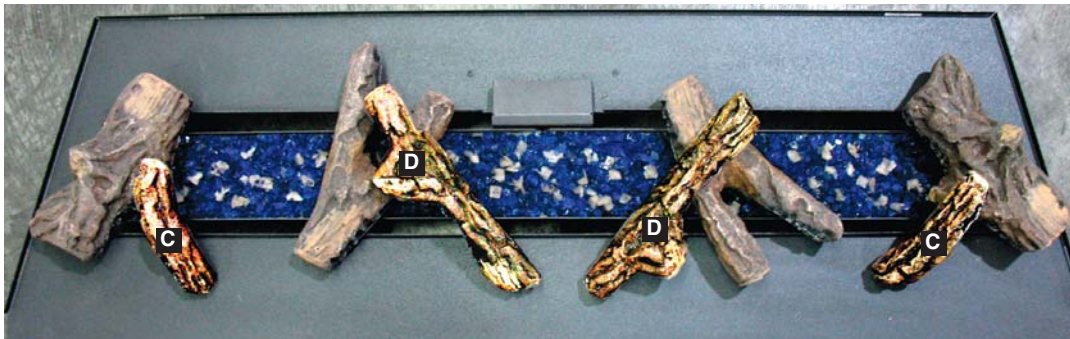


Diagram 10

9) Install the following:

- a) *Glass door
- b) *Faceplate and door frame

*Refer to these sections in the HZ54 manual for detailed instructions.



Log Set Installed (shown with optional pebbles)

Diagram 11

SCREEN & DOOR FRAME OVERLAY INSTALLATION

Before you start:

Stainless must be inspected for scratches and dimples prior to installation. All claims to be recorded at this time. Claims for damage after installation will not receive consideration.

To protect the finish during installation and handling - cotton gloves **MUST** be worn at all times while handling the panels (even when removing protective coating).

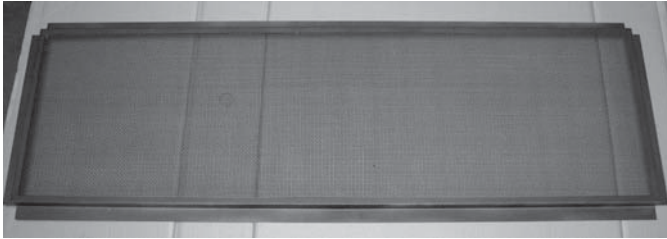
Stainless will discolor a little during normal operation. This is normal and should not be considered a defect.

All hand and finger marks **MUST** be cleaned off with a soft cloth and a stainless steel cleaner. Most stainless steel cleaners leave a film/residue on the surface of the panels. Use an ammonia based cleaner (ie. glass cleaner) to remove this film before applying heat to the unit. **Failure to do this may result in burn stains which you will be unable to remove.** This is not a warranty item.

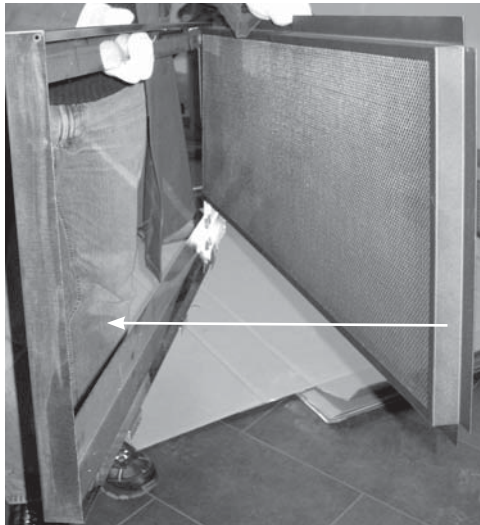
Warning: Turn off the unit by way of the wall switch or remote. Allow unit to cool at least 10 min. - prior to removing faceplate.

4) Install the door frame overlay by hooking the top flange over top of the glass door, push in the bottom of the door frame overlay to secure in place.

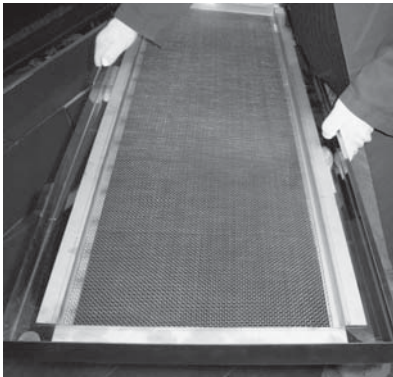
1) Orient the safety screen so the raised part of the screen faces up.



2) Place the screen into the back side of the door frame as shown below.



3) Hold the screen in place in door frame as shown below - install door frame with screen onto unit.



Glass Door

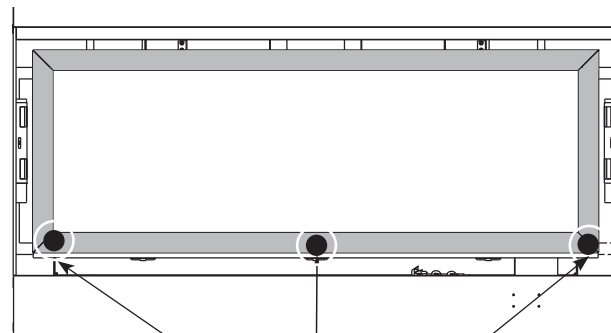
Door Frame Overlay

Screen

5) Door frame and screen installed on the Gemfire 54.



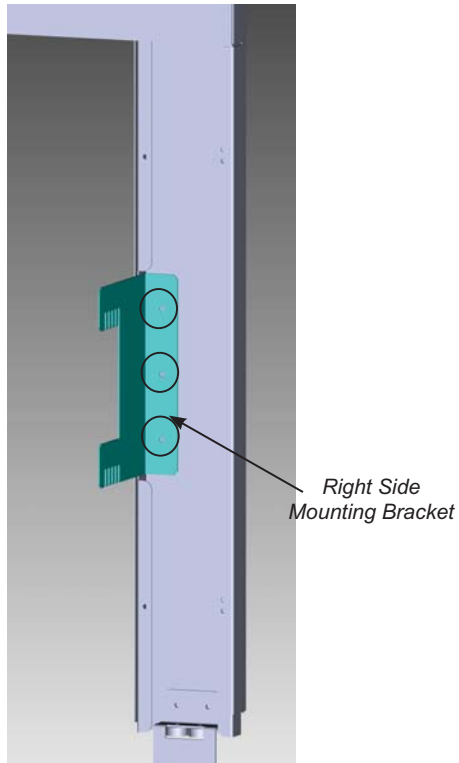
6) Place 2 of the supplied magnets on the lower corners of the Door Frame Overlay, this will keep the Faceplate in position after it has been installed.



FACEPLATE INSTALLATION

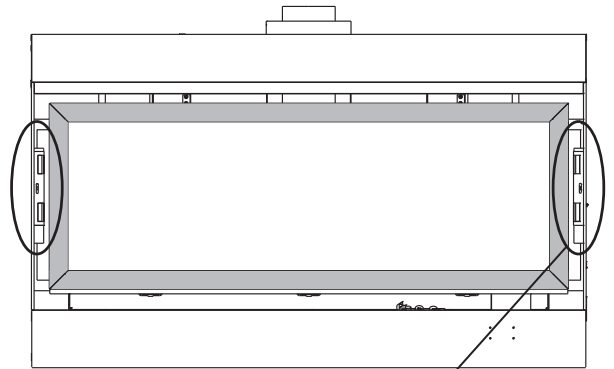
Warning: Turn off the unit by way of the wall switch or remote. Allow unit to cool at least 10 min. - prior to removing the faceplate.

- 1) Secure the left side mounting bracket to the backside of the fascia as shown below. Use 3 screws supplied to secure the mounting bracket in place. Repeat for left side.

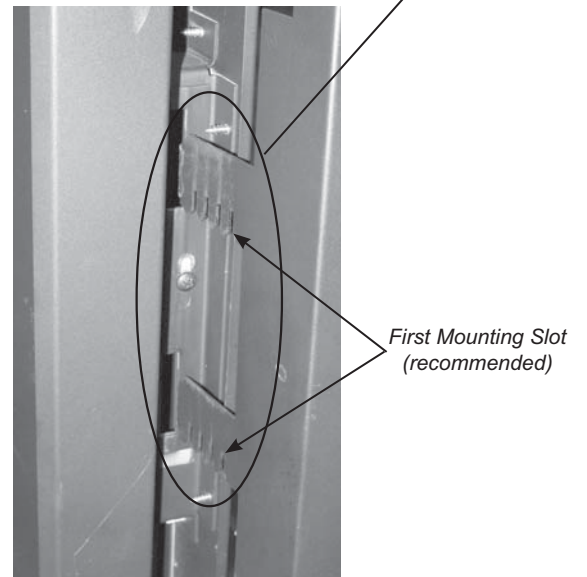
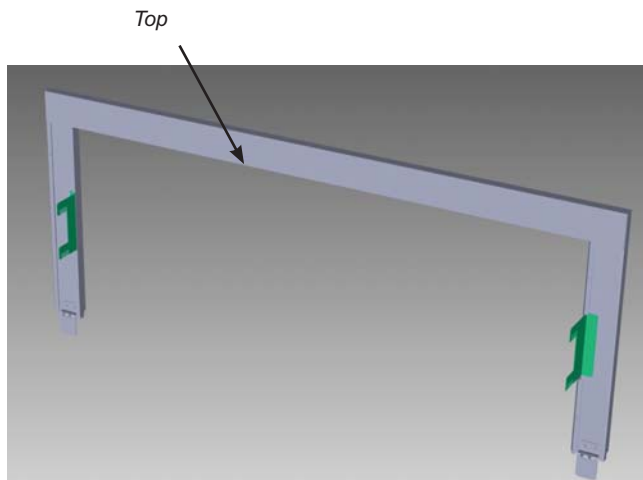


- 2) Install the fascia to the unit by hooking the left and right side mounting brackets into the mounting slots at the side of the firebox as shown below. It is recommended that you use the first mounting slot (the one closest to the door frame overlay) out of the 5 so that the faceplate and door frame overlay are flush with one another. See diagram below.

NOTE: There are 5 mounting slots available, this is to accommodate any finishing that protrudes slightly beyond the faceplate.



NOTE: Ensure that the fascia is positioned correctly when installing the mounting brackets to the fascia. There is a top and bottom, the top fascia is all one piece - the bottom fascia is a single piece to be installed once the top fascia is in place.



IMPORTANT NOTE

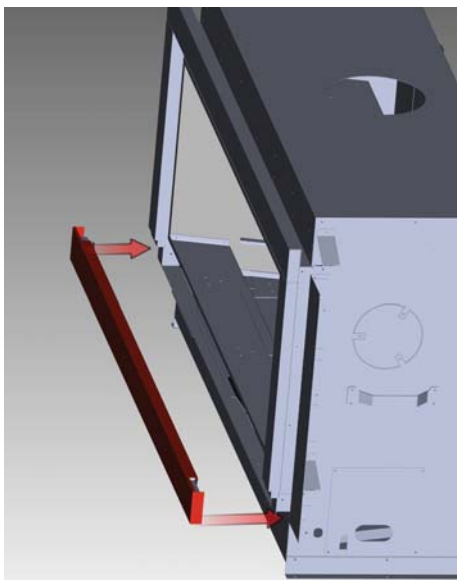
To ensure the gap between the door frame and the faceplate are equal from side to side you may need to slide the faceplate slightly to the left or right accordingly.

Also if necessary, the faceplate may be adjusted up and down by loosening the top screw as shown in the diagram below and sliding the plate up or down as required.

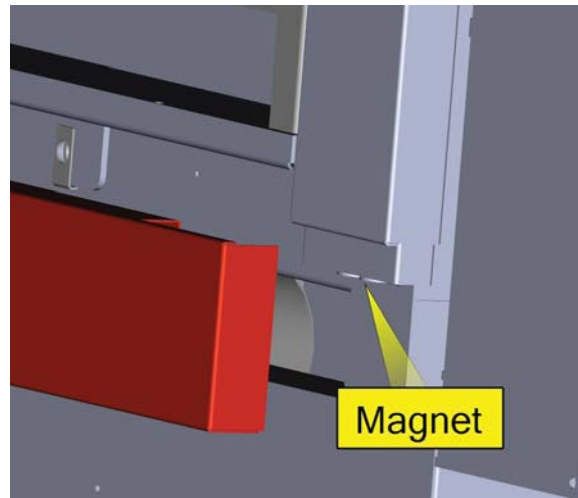


Faceplate Mounting Slots

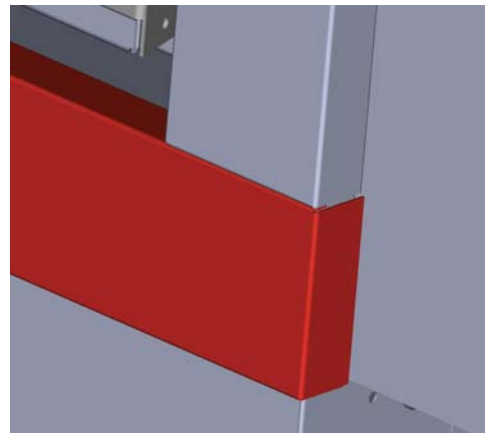
3) Line up the bottom fascia with the top fascia.



3a) There are 2 magnets on each side of the top fascia that secure the bottom fascia in place.



3b) Ensure the bottom fascia is lined up and flush with the top fascia.



Completed Faceplate & Door Frame Overlay Installation



Faceplate

Screen

Door Frame

OPERATING INSTRUCTIONS

- 1) Read and understand these instructions before operating this appliance.
- 2) Check to see that all wiring is correct and enclosed to prevent possible shock.
- 3) Check to ensure there are no gas leaks.
- 4) Make sure the glass in the glass door frame is properly positioned. Never operate the appliance with the glass removed.
- 5) Verify that the venting and cap are unobstructed.
- 6) The unit should never be turned off, and on again without a minimum of a 60 second wait.

FIRST FIRE

The **FIRST FIRE** in your heater is part of the paint curing process. To ensure the paint is properly cured, it is recommended you burn your fireplace for at least four (4) hours the first time.

When first operated, the unit will release an odour caused by the curing of the paint and the burning off of any oils remaining from manufacturing. Smoke detectors in the house may go off at this time. Open a few windows to ventilate the room for a couple of hours. The glass may require cleaning.

NOTE: When the glass is cold and the appliance is lit, it may cause condensation and fog the glass. This condensation is normal and will disappear in a few minutes as the glass heats up.

DO NOT ATTEMPT TO CLEAN THE GLASS WHILE IT IS STILL HOT!

DO NOT BURN THE UNIT WITHOUT THE GLASS DOOR IN PLACE.

During the first few fires, a white film may develop on the glass front as part of the curing process. The glass should be cleaned after the unit has cooled down or the film will bake on and become very difficult to remove. Use a non-abrasive cleaner and **DO NOT ATTEMPT TO CLEAN THE GLASS WHILE IT IS HOT.**

LIGHTING PROCEDURE

NOTE: The Gas ON/OFF knob cannot be turned from "ON", "PILOT" or "OFF" unless it is partially depressed.

Warning: Turn off the unit by way of the wall switch or remote. Allow unit to cool at least 10 min. - prior to removing faceplate.

- 1) Ensure the wall mounted switch or remote is in the "OFF" position.
- 2) **Ensure unit has cooled at least 10 min. - prior to removing faceplate.**
- 3) Turn the gas control knob so the indicator points to the "OFF" position and wait 5 minutes for any gas in the combustion chamber to escape.
- 4) Turn the gas control knob counterclockwise so the indicator points to the "PILOT" position. Depress the gas control knob fully. Depress the igniter button until the pilot lights. After approximately one minute, release the gas control knob. The pilot flame should continue to burn.

Only when the pilot holds, without pressure being applied to the gas control knob, re-install the glass door to the unit. The unit **must not** be operated without the glass door in place.

If the pilot does not remain lit, repeat operation allowing a longer period before releasing gas control knob.

- 5) When the pilot stays lit, turn the gas control knob to the "ON" position.
- 6) Use the wall switch or remote control to turn the unit ON.
- 7) Re-install faceplate.

NOTE: When using the remote control refer to the remote manual.

NOTE: If there is no spark present at the pilot when depressed, the AA battery may be weak. Refer to "DC Spark Battery Replacement" section.

NORMAL OPERATING SHUTDOWN PROCEDURE

Warning: Turn off the unit by way of the wall switch or remote. Allow unit to cool at least 10 min. - prior to removing faceplate.

- 1) Turn the wall mounted switch or remote to the "OFF" position.
- 2) Press "OFF" on the remote control.
- 3) Turn the gas control knob to the "OFF" position to turn off the pilot.

SOUNDS OF GAS APPLIANCES

It is possible that you will hear some sounds from your gas appliance. This is perfectly normal due to the fact that there are various gauges and types of steel used within your appliance. Listed below are some examples. All are **normal operating sounds** and should not be considered as defects in your appliance.

Burner Tray:

The burner tray is positioned directly under the burner and is made of a different gauge material from the rest of the firebox and body. Therefore, the varying thicknesses of steel will expand and contract at slightly different rates which can cause "ticking" and "cracking" sounds. You should also be aware that as there are temperature changes within the unit these sounds will likely re-occur. Again, this is normal for steel fireboxes.

Pilot Flame:

While the pilot flame is on it can make a very slight "whisper" sound.

Gas Control Valve:

As the gas control valve turns ON and OFF, a dull clicking sound may be audible, this is normal operation of a gas regulator or valve.

Unit Body/Firebox:

Different types and thicknesses of steel will expand and contract at different rates resulting in some "cracking" and "ticking" sounds will be heard throughout the cycling process.

COPY OF LIGHTING PLATE INSTRUCTIONS



FOR YOUR SAFETY READ BEFORE LIGHTING

This appliance must be installed in accordance with local codes, if any; if none, follow the National Fuel Gas Code, ANSI Z223.1/NFPA 54, or Natural Gas and Propane Installation Codes, CSA B149.1. (Australia: AG601, New Zealand: NZS 5261)

WARNING: If you do not follow these instructions exactly, a fire or explosion may result causing property damage, personal injury or loss of life. Improper installation, adjustment, alteration, service or maintenance can cause injury or property damage. Refer to the owner's information manual provided with this appliance. For assistance or additional information consult a qualified installer, service agency or gas supplier.


- A) This appliance has a pilot which must be lighted by hand. When lighting the pilot, follow these instructions exactly.
- B) BEFORE LIGHTING smell all around the appliance area for gas. Be sure to smell next to the floor because some gas is heavier than air and will settle on the floor.
WHAT TO DO IF YOU SMELL GAS
 - Do not try to light any appliance.
 - Do not touch any electric switch, do not use any phone in your building.
 - Immediately call your gas supplier from a neighbour's phone. Follow the gas supplier's instructions.
 - If you cannot reach your gas supplier, call the fire department.
- C) Use only your hand to push in or turn the gas control knob. Never use tools. If the knob will not push in or turn by hand, don't try to repair it, call a qualified service technician. Force or attempted repair may result in a fire or explosion.
- D) Do not use this appliance if any part has been under water. Immediately call a qualified service technician to inspect the appliance and to replace any part of the control system and any gas control which has been under water.
- E) This appliance needs fresh air for safe operation and must be installed so there are provisions for adequate combustion and ventilation air.

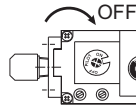
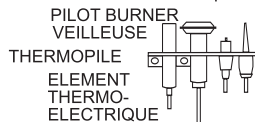
CAUTION: Hot while in operation. Do not touch. Severe Burns may result. Due to high surface temperatures keep children, clothing and furniture, gasoline and other liquids having flammable vapors away. Keep burner and control compartment clean. See installation and operating instructions accompanying appliance.



LIGHTING INSTRUCTIONS

STOP! Read the safety information above on this label.

FOR UNITS NOT EQUIPPED WITH ELECTRIC SPARK BOXES:

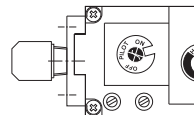
- 1) Push in gas control knob slightly and turn clockwise  to "OFF". Knob cannot be turned from "PILOT" to "OFF" unless knob is pushed in slightly. Do not force.



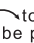
- 2) Wait five (5) minutes to clear out any gas. If you then smell gas STOP! Follow step "B" in the Safety Information above on this label. If you don't smell gas, go to the next step.
- 3) Turn knob on gas control counterclockwise  to "PILOT".
- 4) Push in control knob all the way and hold in. Continually push and release the black button on spark igniter until pilot lights. Continue to hold the control knob in for about 1/2 minute after the pilot is lit. Release knob and it will pop back up. Pilot should remain lit. If it goes out, repeat steps 1) to 4). If knob does not pop up when released, stop and immediately call your service technician or gas supplier. If the pilot will not stay lit after several tries, turn the gas control knob to "OFF" and call your service technician or gas supplier.
- 5) Turn gas control knob counterclockwise  to "ON".
- 6) Use rocker switch to operate main burner.

FOR ALL PROPANE UNITS AND UNITS EQUIPPED WITH ELECTRIC SPARK BOXES:

- 1) Push in gas control knob slightly and turn to "PILOT" position.
- 2) Push in control knob all the way and hold in until the pilot lights up. Continue to hold the control knob in for about 20 seconds after the pilot is lit. Release knob.
- 3) Push in gas control knob slightly and turn to "ON" position.
- 4) Turn ON the flame switch.



TO TURN OFF GAS APPLIANCE

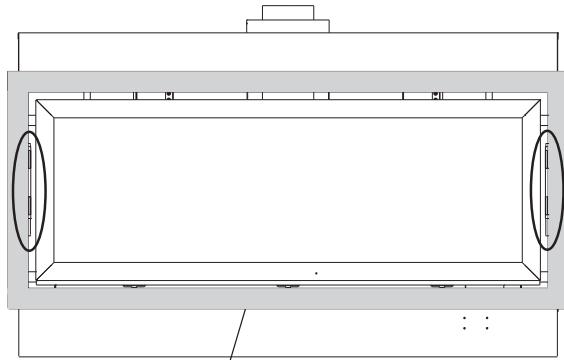
- 1) Turn off the flame switch.
- 2) Push in the gas control knob slightly and turn clockwise  to "OFF". Do not force.
- 3) Turn off all electric power to the appliance if service is to be performed.
You may shut off the pilot during prolonged non use periods to conserve fuel.

DO NOT REMOVE THIS INSTRUCTION PLATE 918-473a

FAN SERVICE

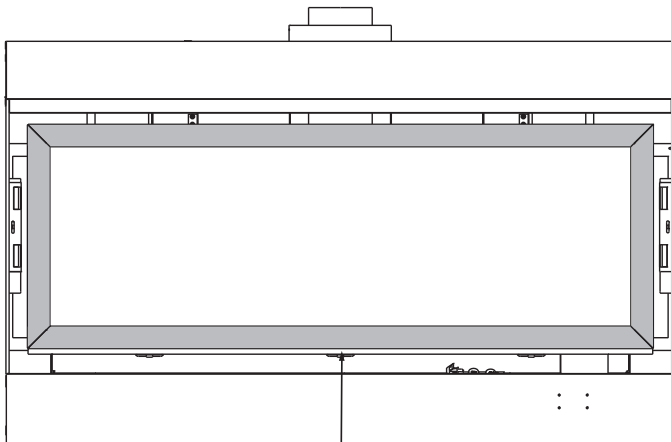
PRIOR TO SERVICING THE FAN, ENSURE UNIT HAS COOLED TO ROOM TEMPERATURE, ALL POWER IS DISCONNECTED AND GAS SUPPLY IT TURNED OFF.

- 1) Remove the faceplate by lifting it up off the hinges on the sides of the firebox.



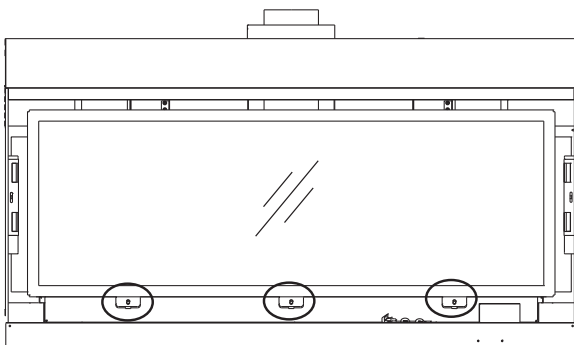
Faceplate

- 2) Remove the door frame overlay by swinging out 45° from the bottom and lift up and out.



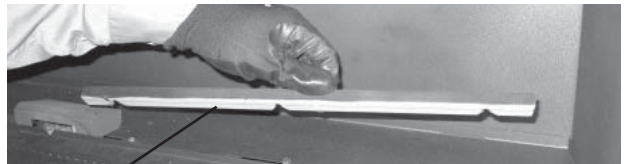
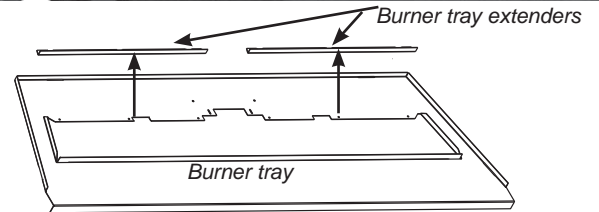
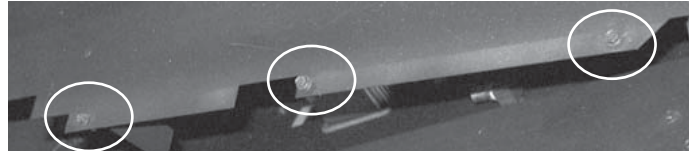
Door Frame Overlay

- 3) Remove the glass door.
 - b) Remove the 3 screws shown below at the bottom of the glass door.
 - c) Swing the door out 45° from the bottom and lift up and out.



- 4) Loosen 6 screws that secure the burner extenders on burner tray, located behind the burner on either side of the pilot assembly.

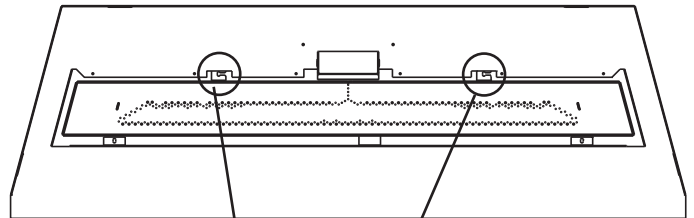
- 5) Lift out the 2 burner tray extenders.



Burner tray extenders

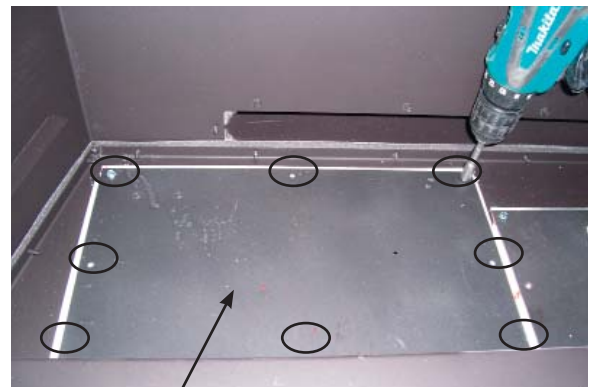
- 6) After extenders have been removed. Remove the 2 screws that secure the burner tray, at the base of the firebox.

- 7) Slide the burner to the left and lift it out.



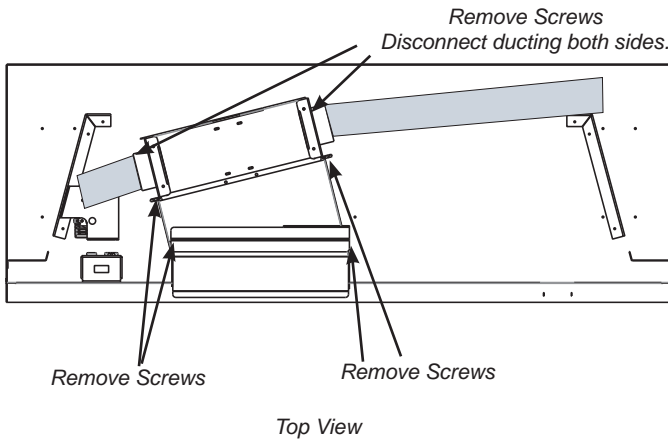
Location of screws securing burner

- 8) Remove 8 screws to remove the fan access panel cover - located on the left hand side floor of the firebox.

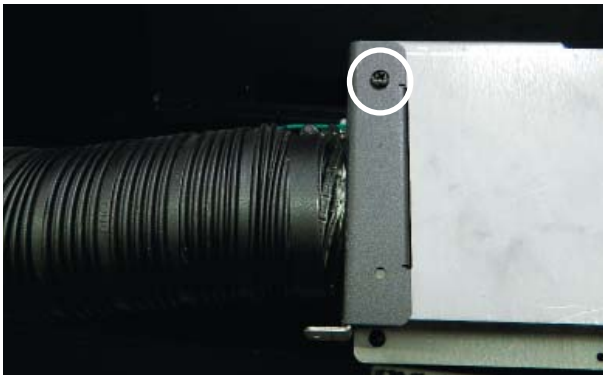


Fan Access Panel

- 9) From the front of the unit, remove the two screws that are securing the fan duct to the unit.
Remove the two screws securing the duct to the fan assembly. Set fan duct off to right side closest to gas valve.



- 10) From the fan access outlet within the firebox, remove the screws on the left side of fan securing the flex and bracket.



- 11) Keeping fan assembly towards the rear wall, slide the fan assembly approximately 3" to the right.

- 12) Remove from unit, bracket and attached 6" section of 3" duct from elbow at left side and set aside.

- 13) Remove ground wire.

- 14) Near the switch box, cut cable tie and slide the heat sleeve to expose spade connectors



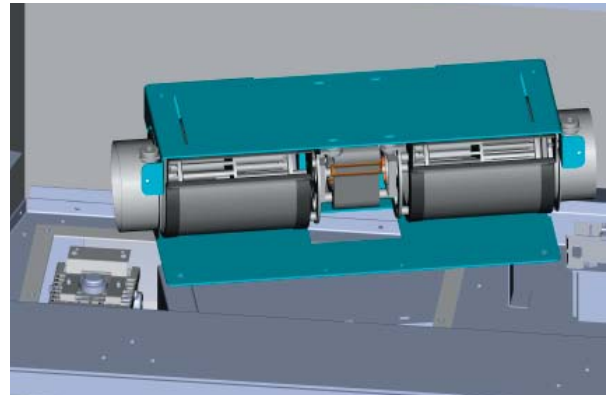
Cable Tie

- 15) Carefully disconnect spade connectors.



Spade connectors

- 16) Remove fan assembly by sliding to the left and lifting out through the fan access panel. This will disconnect right side duct from fan assembly.



- 17) Reverse steps when service is completed. Once re-installed make sure 3" ducts on either side of fan assembly are in position on collars.

WIRING

No electrical power supply is required for the gas control to operate. However, a 240V A.C. power supply is needed for the fan/blower operation.

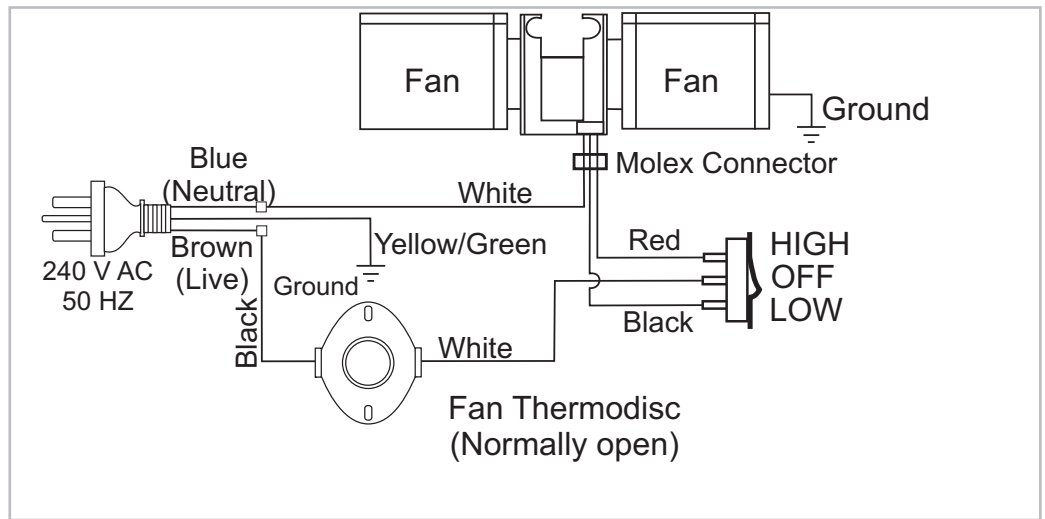
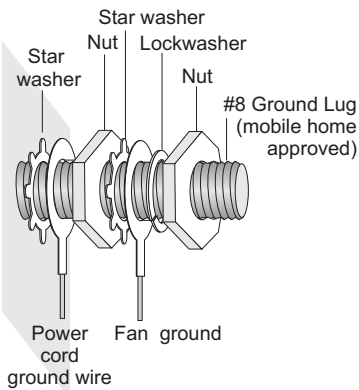
Caution: Ensure that the wires do not touch any hot surfaces and are away from sharp edges.

WARNING: Electrical Grounding Instructions

This appliance is equipped with a three pronged (grounding) plug for your protection against shock hazard and should be plugged directly into a properly grounded three-prong receptacle. Do not cut or remove the grounding prong from this plug.

CAUTION:

Label all wires prior to disconnection when servicing controls. Wiring errors can cause improper and dangerous operation.



MAINTENANCE INSTRUCTIONS

- 1) Always turn off the gas valve before cleaning. For relighting, refer to lighting instructions. Keep the burner and control compartment clean by brushing and vacuuming at least once a year.
 - 2) Clean appliance and door with a damp cloth (never when unit is hot). Never use an abrasive cleaner. The glass should be cleaned with a gas fireplace glass cleaner. **The glass should be cleaned when it starts looking cloudy.**
 - 3) The faceplate is finished in a heat resistant paint and should only be refinished with heat resistant paint. Regency® uses StoveBright Paint - Metallic Black #6309.
- Note: Faceplates and inner panels made from stainless steel will naturally change color over time.**
- 4) Make a periodic check of burner for proper position and condition. Visually check the flame of the burner periodically, making sure the flames are steady; not lifting or floating. If there is a problem, call a qualified service person.
 - 5) The appliance and venting system must be inspected before use, and at least annually, by a qualified field service person, to ensure that the flow of combustion and ventilation air is not obstructed.

Note: Never operate the appliance without the glass properly secured in place.

- 6) Do not use this appliance if any part has been under water. Immediately call a qualified service technician to inspect the appliance and to replace any part of the control system and any gas control which has been under water.
- 7) In the event this appliance has been serviced check that the vent-air system has been properly resealed & reinstalled in accordance with the manufacturer's instructions.
- 8) Verify operation after servicing.

GENERAL VENT MAINTENANCE

Conduct an inspection of the venting system semi-annually. Recommended areas to inspect as follows:

- 1) Check the Venting System for corrosion in areas that are exposed to the elements. These will appear as rust spots or streaks, and in extreme cases, holes. These components should be replaced immediately.
- 2) Remove the Cap, and shine a flashlight down the Vent. Remove any bird nests, or other foreign material.
- 3) Check for evidences of excessive condensation, such as water droplets forming in the inner liner, and subsequently dripping out the joints. Continuous condensation can cause corrosion of caps, pipe, and fittings. It may be caused by having excessive lateral runs, too many elbows, and exterior portions of the system being exposed to cold weather.
- 4) Inspect joints, to verify that no pipe sections or fittings have been disturbed, and consequently loosened. Also check mechanical supports such as Wall Straps, or plumbers' tape for rigidity.

THERMOPILE / THERMOCOUPLE

- 1) Remove the valve tray by following the procedures from "Valve Tray Replacement" section.
- 2) Disconnect thermocouple by loosening nut from the valve with a 9mm wrench. Disconnect thermopile by loosening 2 screws marked TP on the valve.
- 3) Remove 2 screws from the pilot assembly and pull up far enough to be able to loosen the thermocouple or thermopile with a 7/16" wrench. NOTE: the pilot line is very fragile, use caution when pulling it up.
- 4) Drop the thermocouple or thermopile down through the extrusion and pull it out of the unit.
- 5) Reinstall the new ones in reverse order.

GLASS GASKET

If the glass gasket requires replacement use a tadpole glass gasket (Part # 936-159).

GLASS DOOR

Your Regency® fireplace is supplied with high temperature 5mm-Ceramic glass. If your glass requires cleaning, we recommend using an approved glass cleaner available at all authorized dealers. Do not use abrasive materials.

CAUTION & WARNINGS:

- * Do not clean when the glass is hot.
- * The use of substitute glass will void all product warranties.
- * Care must be taken to avoid breakage of the glass.
- * Do not strike or abuse the glass.
- * Do not operate this fireplace without the glass front or with a cracked or broken glass front.
- * Wear gloves when removing damaged or broken glass.
- * Replacement of the glass panel(s) should be done by a licensed or qualified service person.

GLASS REPLACEMENT

In the event that you break your glass by impact, purchase your replacement from an authorized Regency® dealer only.

Replacement glass is shipped already installed into the door frame.

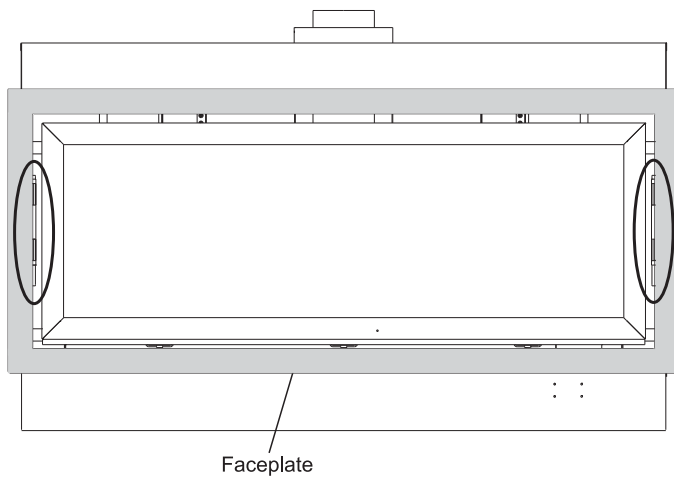
CAUTION: Wear gloves when removing damaged or broken glass.

WARNING: Do not operate the appliance with the glass panels removed, cracked or broken. Replacement of the glass panels should be done by a licensed or qualified service person.

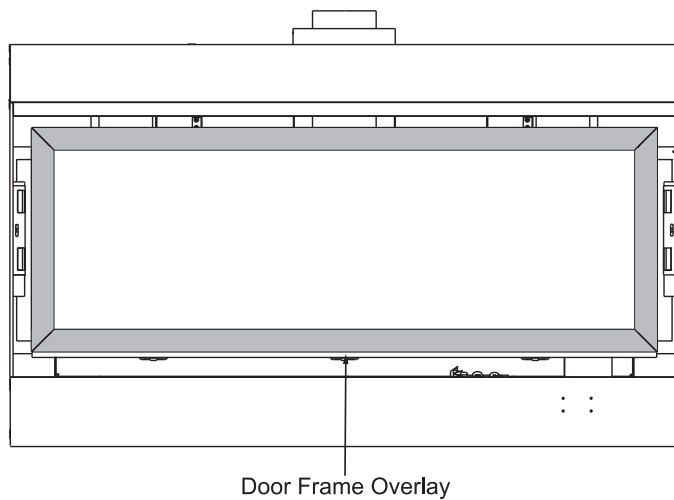
GLASS DOOR REMOVAL

Warning: Turn off the unit by way of the wall switch or remote.
Allow unit to cool at least 10 min. - prior to removing faceplate.

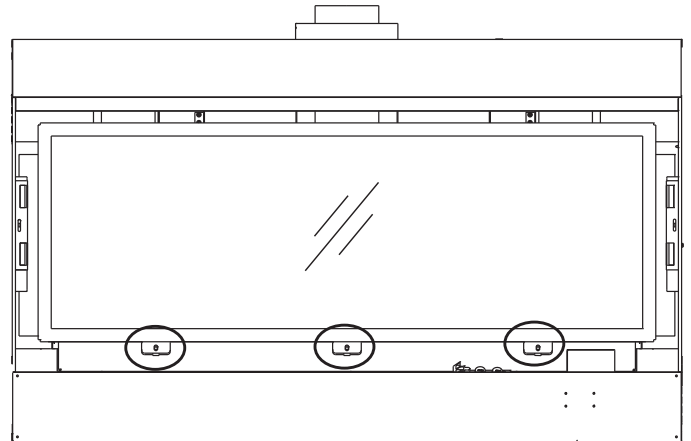
- 1) Turn the unit off and allow it to cool down to room temperature - prior to handling.
- 2) Turn off the gas supply to the unit.
- 3) Remove the faceplate by lifting it up off the hinges on the sides of the firebox.



- 4) Remove the door frame overlay by swinging out 45° from the bottom and lift up and out.

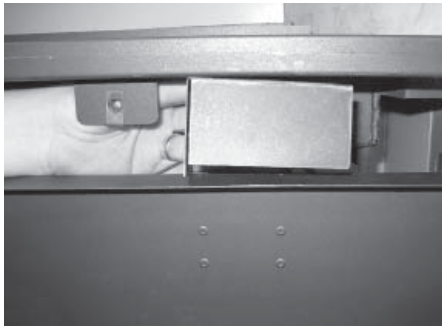
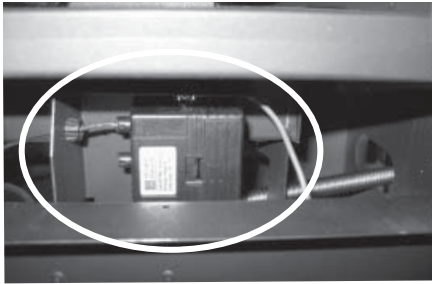


- 5) Remove the glass door.
 - a) Remove the 3 screws shown below at the bottom of the glass door.
 - b) Swing the door out 45° from the bottom and lift up and out.



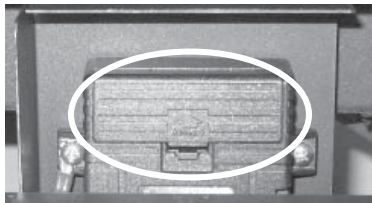
DC SPARK BOX BATTERY REPLACEMENT

- 1) Remove the faceplate by lifting it up off the hinges on the sides of the firebox.
- 2) Remove the door frame overlay by swinging out 45° from the bottom and lift up and out.
- 3) Remove the DC spark box bracket assembly by lifting the bracket tab out from the firebox.



DC Spark Box Bracket Assembly partially removed.

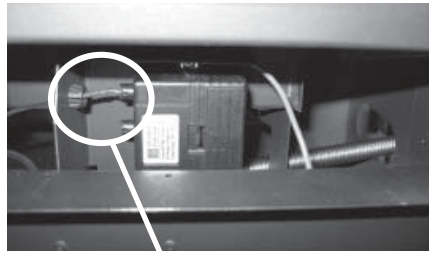
- 4) Remove the battery cover from the DC Spark Box.



- 5) Remove the AA battery and replace with a new one.
- 6) Reverse steps 4 to 1.

DC SPARK BOX REPLACEMENT

- 1) Remove the faceplate by lifting it up off the hinges on the sides of the firebox.
- 2) Remove the door frame overlay by swinging out 45° from the bottom and lift up and out.
- 3) Disconnect the spark electrode wire from the DC spark box shown in the image below.
- 5) Disconnect the 2 DC spark generator wires from the DC Spark box located just behind the bracket tab as shown.

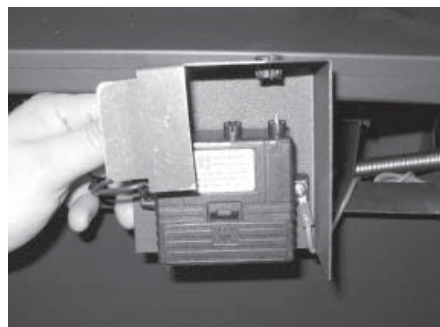


Spark Electrode Wire

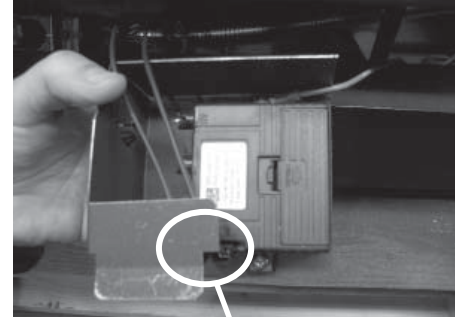
- 4) Remove the DC spark box bracket assembly by lifting the bracket tab out from the firebox.



DC Spark Box Bracket Assembly partially removed.

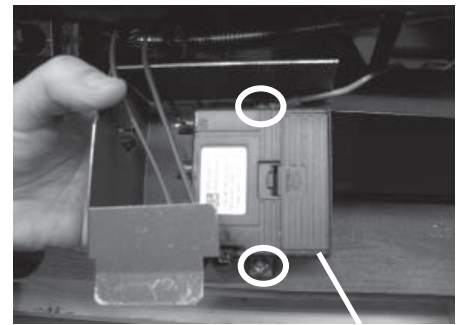


DC Spark Box Bracket Assembly removed from firebox.



Generator Wires

- 6) Remove the 2 screws that secure the DC spark box to the bracket.



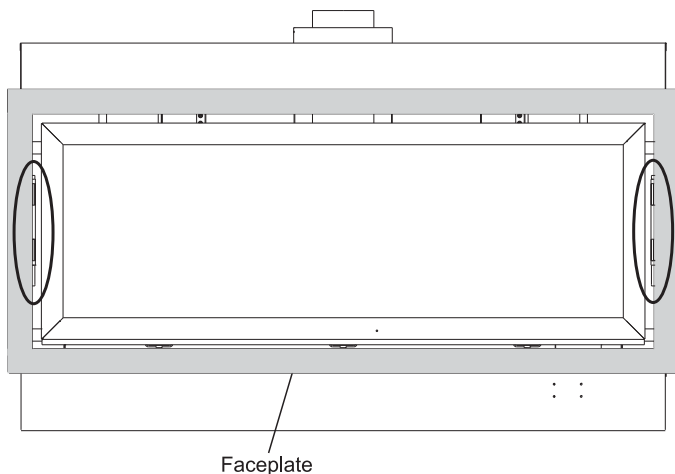
DC Spark Box

- 7) Replace DC spark box and reverse steps.

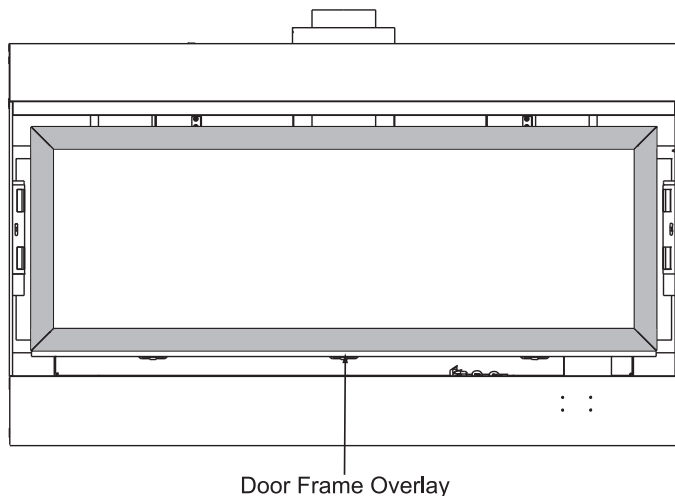
VALVE TRAY REPLACEMENT

Warning: Turn off the unit by way of the wall switch or remote. Allow unit to cool at least 10 min. - prior to removing faceplate.

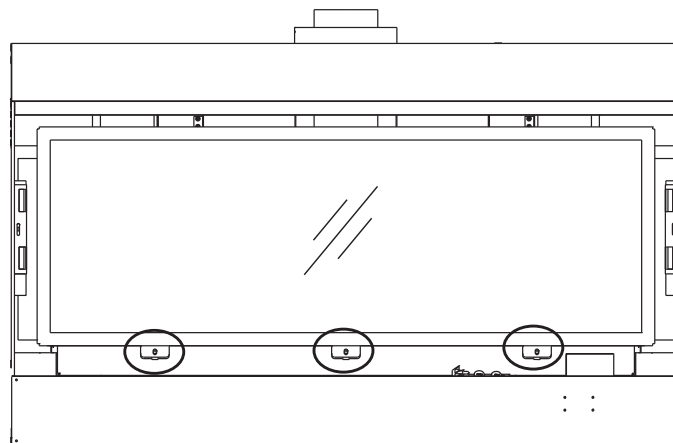
- 1) Turn the unit off and allow it to cool down to room temperature prior to handling.
- 2) Turn off the gas supply to the unit.
- 3) Remove the faceplate by lifting it up off the hinges on the sides of the firebox.



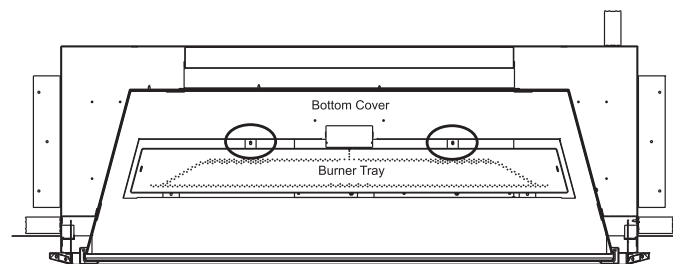
- 4) Remove the door frame overlay by swinging out 45° from the bottom and lift up and out.



- 5) Remove the glass door.
 - a) Remove the 3 screws shown below at the bottom of the glass door.
 - b) Swing the door out 45° from the bottom and lift up and out.

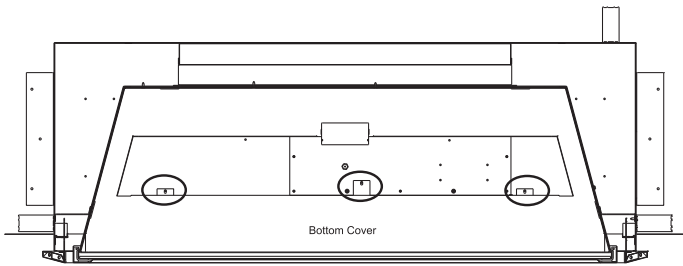


- 6) Remove the burner tray by undoing the 2 screws in between the bottom cover and burner on the firebox. Carefully lift the burner up and out ensuring not to spill the glass crystals.



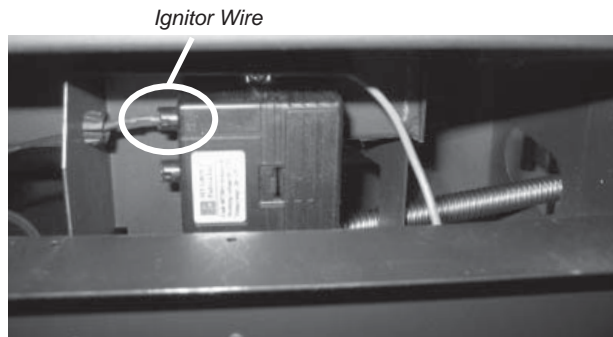
Aerial View of the inside of the unit shown.

- 7) Remove bottom cover by undoing 3 screws securing it to the firebox base, lift up and out.

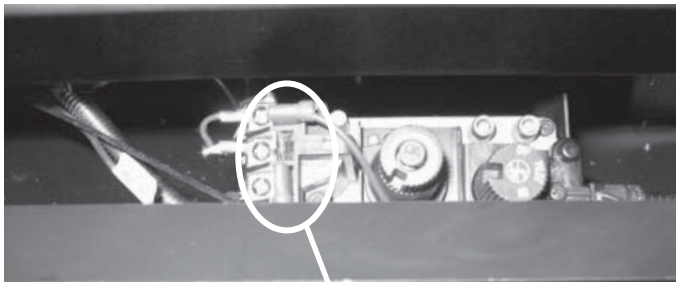


Aerial View of the inside of the unit shown.

- 10) Unplug the Ignitor wire from the DC Sparker.

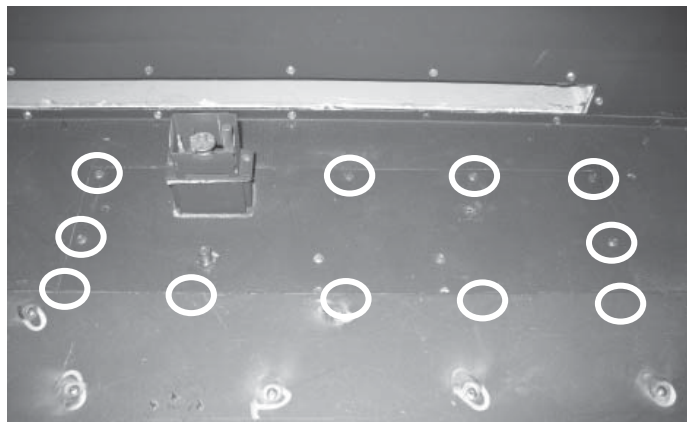


- 8) Disconnect the ON/OFF connector wires from the valve.

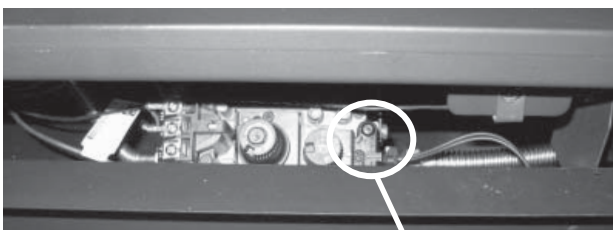


ON/OFF Connector Wires

- 11) Remove the valve tray by undoing 12 screws.



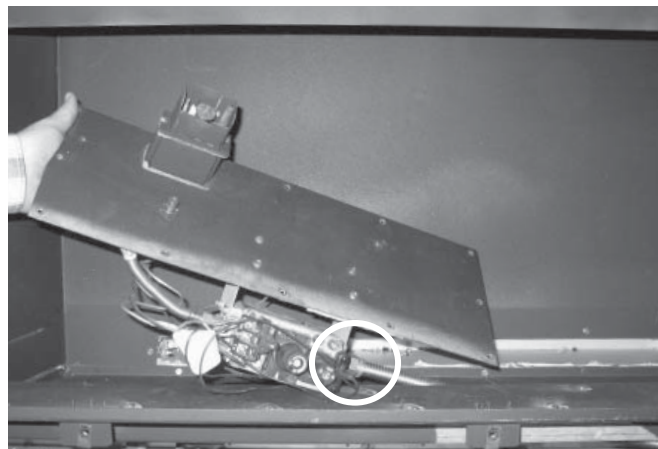
- 9) Disconnect the DC Sparker leads at the valve.



DC Sparker Lead

- 12) Slightly lift out valve tray.

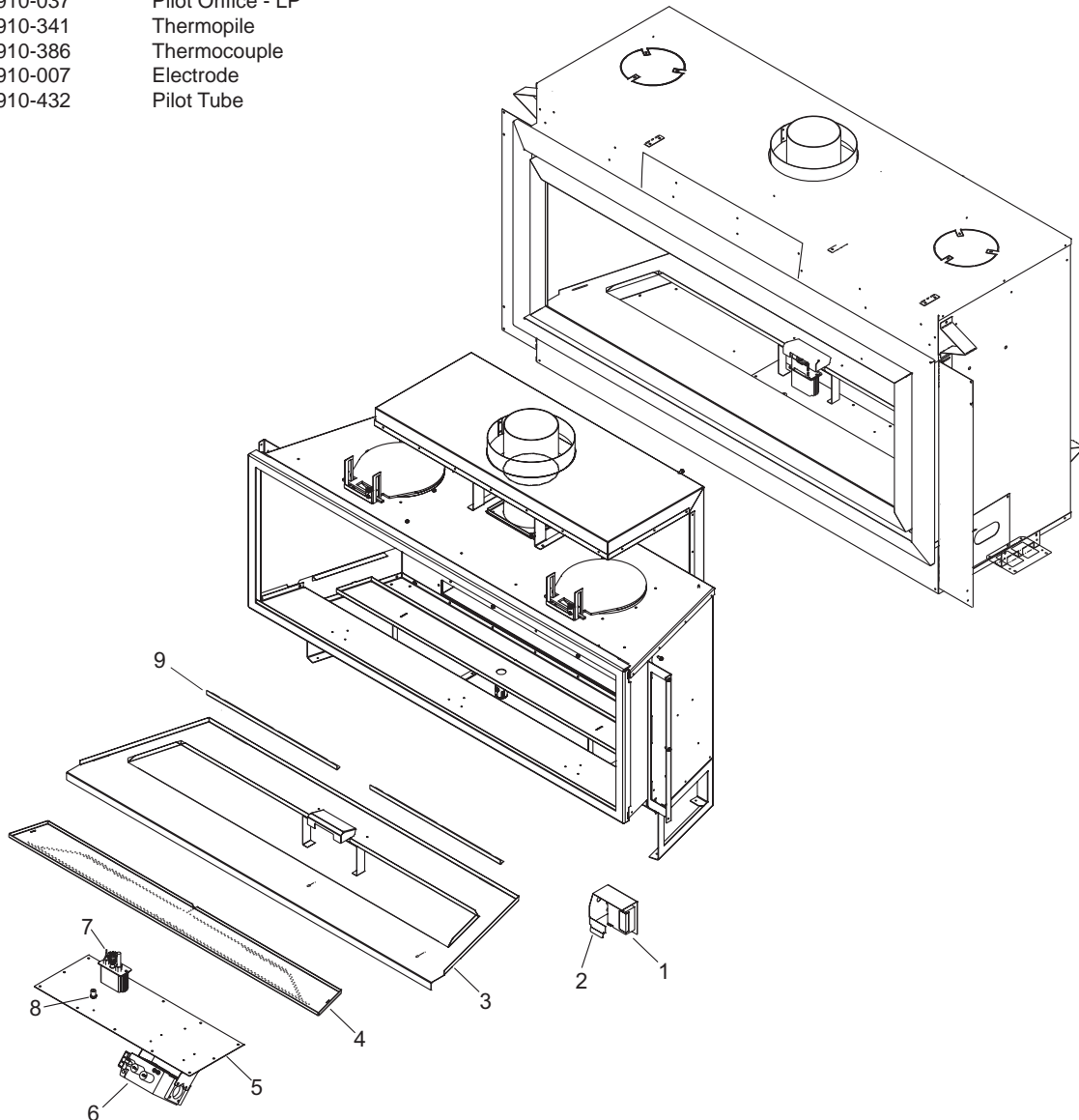
- 13) Disconnect the inlet gas line.



- 14) Replace valve and reverse steps.

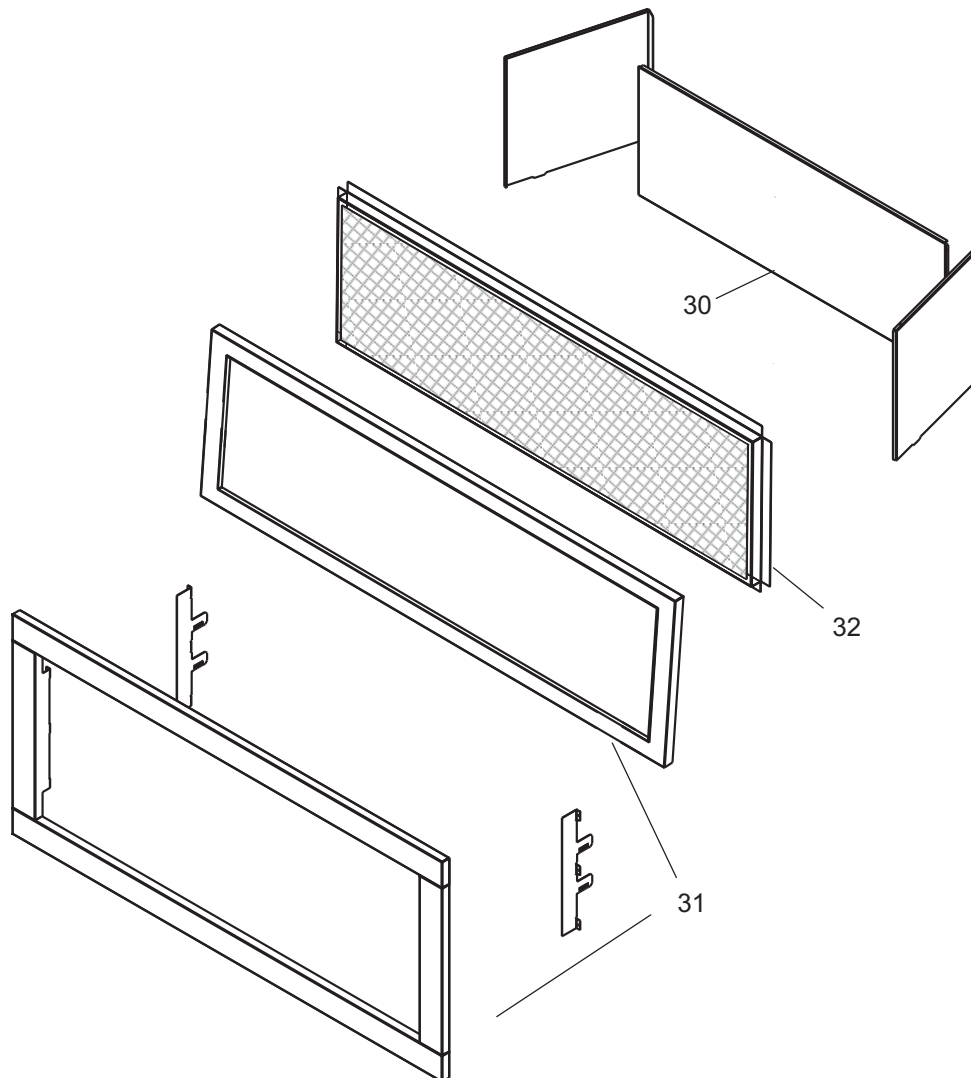
MAIN ASSEMBLY

Part #	Description		
1) 910-074	Spark Generator Switch c/w Wire	904-658	Inlet Gas Flex Line SS
2) 476-032	DC Spark Mounting Bracket	370-055	Flue Collar Gasket
910-073	Spark Generator Battery Holder	476-023	Plate Relief Gasket
910-078	Battery AA	476-055	Valve Tray Gasket
910-363	White Wall Switch	521-035	Inner Flue Collar Gasket
910-366	White Switch Plate Wire		
3) 476-100	Bottom Cover NG/LP	940-359/P	Flush Glass
		476-011	Flush Glass
4) 476-530	Burner Assembly NG/LP	910-882	Wire (Valve to Burner ON/OFF)
5) 476-578/P	Valve Assembly NG	948-409	Flue Collar
476-580/P	Valve Assembly LP	948-415	Lifting Handle
		476-524	Flue Collar Duct Assy
6) 910-568	Valve 820	948--284	Flex pipe 3" x 24"
7) 910-008	Pilot Assembly - NG	948--284	Flex pipe 3" x 6.5"
910-009	Pilot Assembly - LP	948-332	Elbow 3"
8) 904-688	Orifice # 32	476-518/P	Fan 240V Assembly
904-645	Orifice # 51	910-142	Fan Thermodisc
910-096	Pilot Hood 3 way	918-784	Manual
910-036	Pilot Orifice - NG		
910-037	Pilot Orifice - LP		
910-341	Thermopile		
910-386	Thermocouple		
910-007	Electrode		
910-432	Pilot Tube		



ACCESSORIES

Part #	Description
30) 476-907	Reflective Stainless Steel Panels
31) 476-944	Faceplate & Door Frame Overlay - Black
476-947	Faceplate & Door Frame Overlay - Stainless Steel
946-671	Cobalt Blue Glass Crystals
946-672	Natural River Pebbles
476-540	Door frame w/ Glass
32) 476-532	Screen Assembly



Regency® Fireplace Products are designed with reliability and simplicity in mind. In addition, our internal Quality Assurance Team carefully inspects each unit thoroughly before it leaves our door. Regency® is pleased to extend this limited lifetime warranty to the original purchaser of a Regency® Product.

The Warranty: Lifetime

Covered under the agreement are the following components: The combustion chamber, heat exchanger, burner tubes/pans, logs, glass crystals, ceramic spa stones, pebbles, brick panels and gold plating (against defective manufacture only) are covered under the Limited Lifetime Warranty for five (5) years for parts and labour and parts only thereafter.

External casting, surrounds and grills are covered against cracks and warps resulting from manufacturer defects, parts and labour for one (1) year from the date of purchase and parts only thereafter.

Special Finishes - One year on stainless steel panels, nickel overlays, nickel faceplates, brushed nickel and antique copper full screens and doors. You can expect some changes in color as the product "ages" with constant heating and cooling. FPI warranties the product for any manufacturing defects on the original product. However, the manufacturers warranty does not cover changing colors and marks, ie. finger prints, etc applied after the purchase of the product. Damage from the use of abrasive cleaners is not covered by warranty.

Electrical components such as fans, switches, ignition modules, wiring, thermodiscs, remote control, thermopiles, thermocouples and gas valves are covered for one year for parts and labour from the date of purchase.

The warranty on brass parts is for one year, no labour. The brass is not warranted against tarnishing.

Repair/replacement parts purchased by the consumer from Regency® after the original coverage has expired on the unit will carry a 90 day warranty valid with a receipt only. Any item shown to be defective will be repaired or replaced at our discretion. No labour coverage is included with these parts.

Conditions:

All installations must be performed by a qualified gas fitter and installed according to all applicable local and national codes. Also, all service work must be carried out by a qualified gas service person provided by the selling dealer. It is the responsibility of the installer to ensure that the appliance is firing as per rating plate. Any part or parts of this unit which in our judgement show evidence of such defect will be repaired or replaced at Regency®'s option, through an accredited distributor or agent provided that the defective part be returned to the distributor or agent **Transportation Prepaid**, if requested. In areas where there is not an approved service agent or the closest approved service agent is situated more than thirty (30) kilometres from the installation, Regency is not obliged to arrange warranty repairs and travel and/or additional labour charges will apply.

Porcelain/Enamel - Absolute perfection is neither guaranteed nor commercially possible. Any chips must be reported and inspected by an authorised dealer within three days of installation. Reported damage after this time will be subject to rejection.

It is the general practice of Regency® to charge for larger, higher priced replacement parts and issue credit once the replaced component has been returned to Regency and evaluated for manufacturer defect.

At all times Regency reserves the right to inspect product in the field which is claimed to be defective.

All claims must be submitted to Regency® by authorised selling dealers. It is essential that all submitted claims provide all of the necessary information including customer name, purchase date, serial #, type of unit, problem, and part or parts requested, without this information the warranty will be invalid.

Exclusions:

This limited Lifetime Warranty does not extend to or include paint, door or glass gasketing or trim. It does not cover installation and operational related problems such as over-firing, downdrafts or spillage caused by environmental conditions, nearby trees, buildings, hilltops, mountains, inadequate flueing or ventilation, excessive offsets, negative air pressures caused by insufficient make up air, mechanical systems such as furnaces, fans, clothes dryers etc.

Embers, rockwool, gaskets, door handles and paint are not covered under the terms of this warranty policy.

Regency® will not be liable for acts of God, or acts of terrorism, which cause malfunction of the appliance.

Performance problems due to operator error will not be covered by this warranty policy.

The warranty does not extend to any part or parts which show evidence of misuse or abuse, neglect, accident, lack of maintenance, or improper installation.

Products made by other manufacturers and used in conjunction with the operation of this appliance without authorisation from Regency®, may nullify your warranty on this product.

Regency shall in no event be liable for any special, indirect consequential damages of any nature whatsoever which are in excess of the original purchase price of the product. Any alteration to the unit which causes sooting or carboning that results in damage to the exterior fascia is not the responsibility of Regency Fireplace Products.

SUBJECT TO CHANGE.

DISTRIBUTORS:	Western Australia	Eastern Australia
	Air Group Australia	Fireplace Products Australia PTY. Ltd.
	28-30 Division St.	1-3 Conquest Way
	Welshpool, WA 6106	Hallam, VIC 3803
	08 9350 2200	03 9799 7277

NOTE: PLEASE RETAIN YOUR INVOICE AS PROOF OF PURCHASE FOR WARRANTY VERIFICATION

INCORRECT INSTALLATION OR GAS PRESSURE SETTINGS ARE NOT COVERED BY WARRANTY

A SERVICE OR CALLOUT FEE WILL BE CHARGED IN THESE CIRCUMSTANCES.

Register your Regency® warranty online

www.regency-fire.com.au



Reasons to register your product online today!

- View and modify a list of all your registered products.
- Request automatic email notification of new product updates.
- Stay informed about the current promotions, events, and special offers on related products.
- Help assure you get the most out of your warranty.
- Eliminate confusion and frustration if warranty** service is required in the future.

** Proof of purchase required at time of warranty request.

Installer: Please complete the following information

Dealer Name & Address: _____

Installer: _____

Phone #: _____

Date Installed: _____

Serial No.: _____