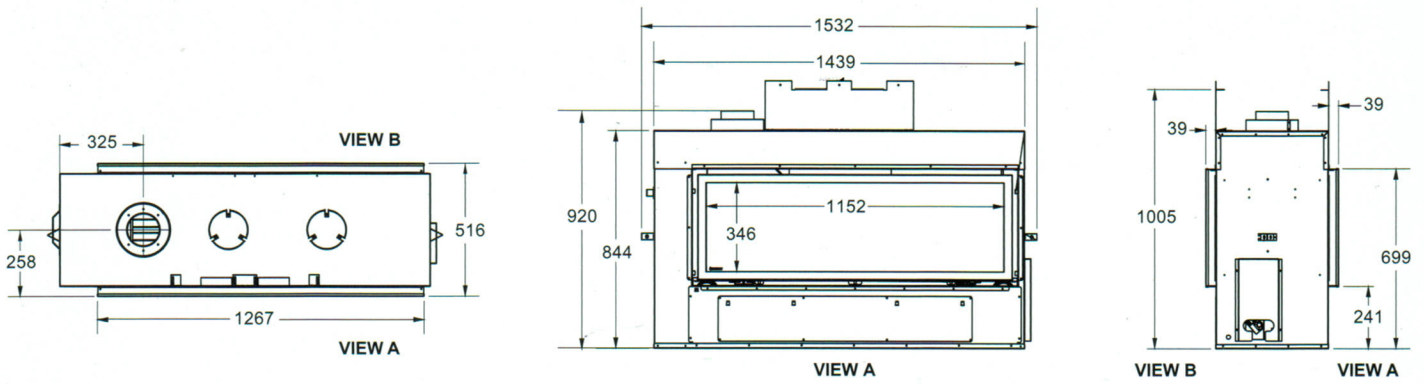
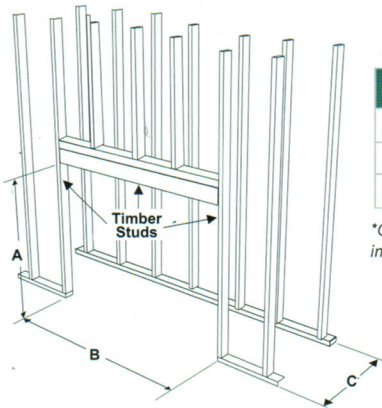


SPECIFICATIONS (mm)



Dimension drawings shown without fascias

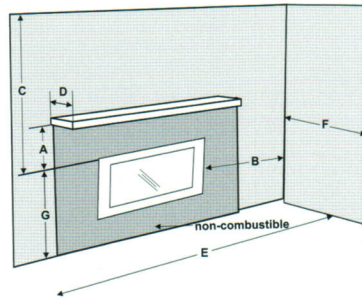
FRAMING (mm)



Framing	GF1500LST
A	1011
B	1545
C*	516

*Consult manual for additional information.

CLEARANCES (mm)



Clearances	GF1500LST
A* (min.)	330
B	203
C (min.)	1162
D** (min. - max.)	25 - 305
E	1676
F	914
G* (min.)	702

*Distance is measured from top of hot air outlet.
 **Clearances vary for different mantle depths.
 Please refer to manual for details.

DESIGN OPTIONS

