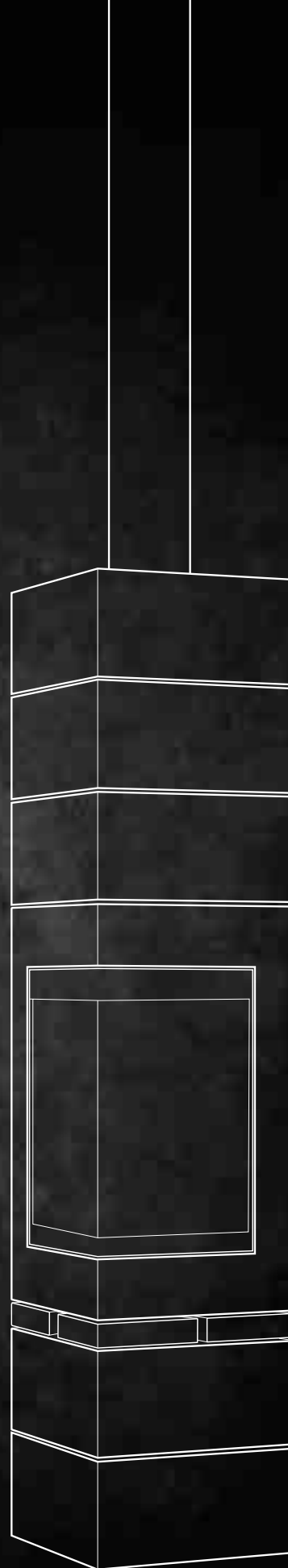


ELEMENTS 400/600: MODEL SPECIFICATIONS

1. TECHNICAL DATA	2
2. PRE-INSTALLATION	3
3. INSTALLATION	7
4. OPERATION	15
5. TESTING	16

Keep for future use



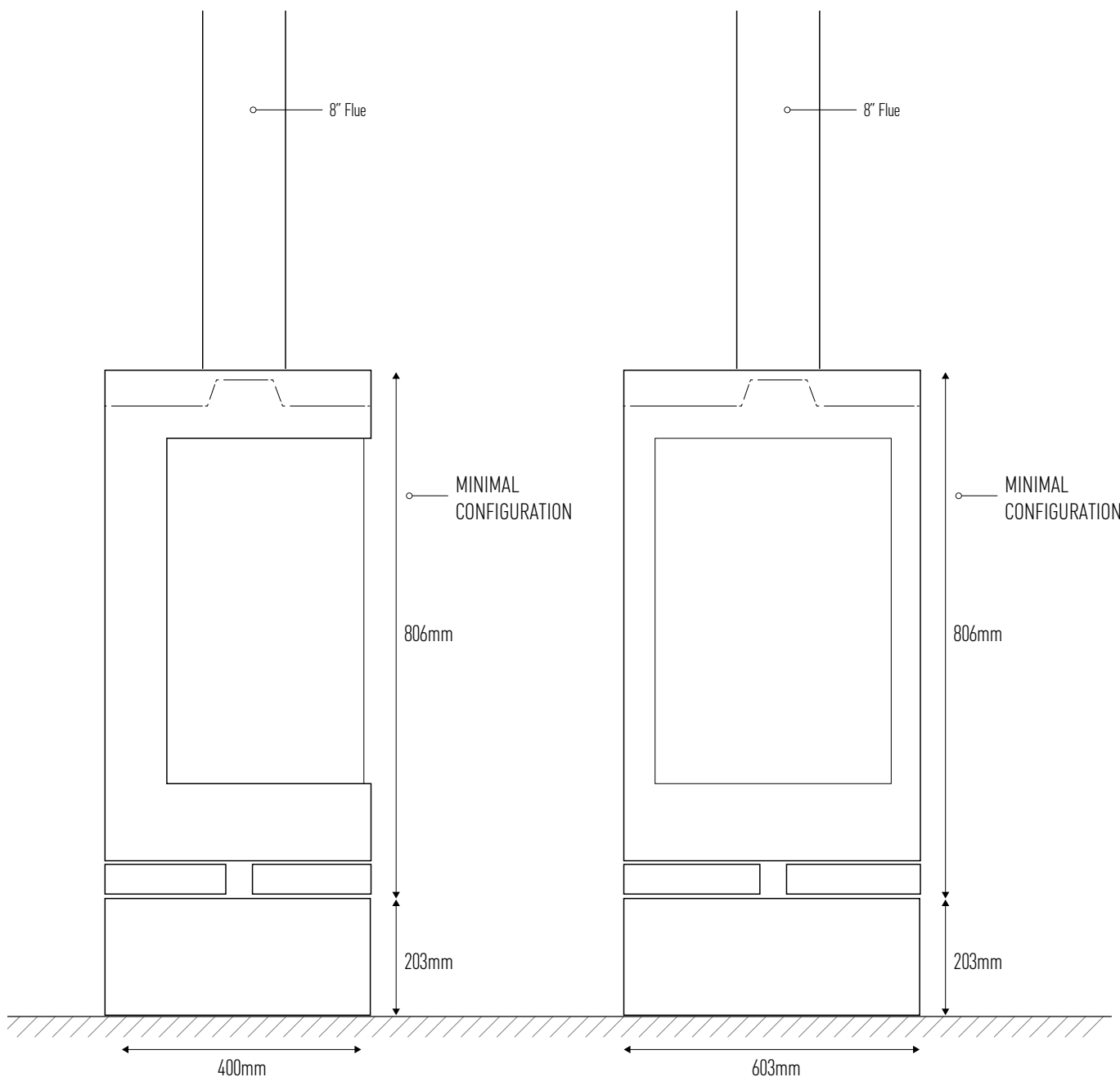
skantherm.
fireworks

obolico

1. TECHNICAL DATA

WEIGHT AND DIMENSIONS:	400 CORNER	400 FRONT	600 FRONT	600 TUNNEL
Dimensions Firebox	W400 x H806 x D400mm	W400 x H806 x D400mm	W603 x H806 x D400mm	W603 x H806 x D400mm
Firebox weight	130kg	160kg	210kg	200kg
Flue kit	Standard 6"/8"/10"	Standard 6"/8"/10"	Standard 6"/8"/10"	Standard 6"/8"/10"

DETERMINED UNDER TEST CONDITIONS:				
Nominal thermal output	7kW	7kW	7kW	7kW
Efficiency (Australian Test)	69%	69%	69%	69%
Emissions (Australian Test)	0.6 g/Kg	0.6 g/Kg	0.6 g/Kg	0.6 g/Kg



2. PRE-INSTALLATION

Congratulations on your purchase of the Elements. This appliance should be installed and checked by a qualified professional. Ensure you have read the operation guidelines thoroughly prior to first use. For any questions or concerns please contact Oblica on 03 9416 0400.

The installation process is outlined below:

- Determine position of firebox and flue carefully observing the clearances described within this section
- Install the external flue
- Install the internal flue and engage the firebox
- Ensure the floor has adequate protection

CAUTION:

Using components or parts other than those provided by the manufacturer or modifying the specification of components may result in inferior or unsafe operation. If such action is necessary, consult the manufacturer in the first instance.

WARNING:

- The appliance and flue-system must be installed in accordance with AS/NZS 2918 and the relevant building code or codes.
- Any modification of the appliance that has not been approved in writing by the testing authority will be in breach of the approval granted for compliance with AS/NZS 4013.
- Once the flue has been installed and approved by a professional installer, the flue must not be modified in any way.

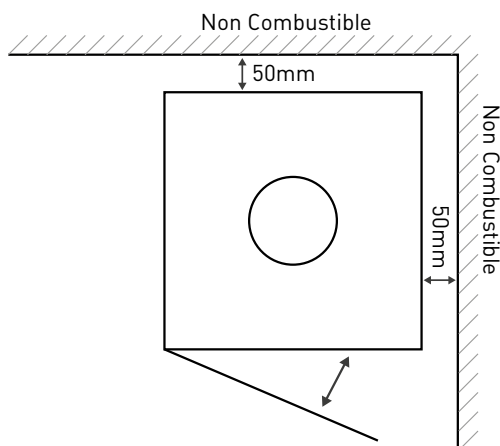
2. PRE-INSTALLATION (CONTINUED)

MINIMUM CLEARANCE — INTERNAL

2.1 Clearance from non-combustible surfaces (eg masonry)

50mm minimum clearance is required from fully non-combustible surfaces.

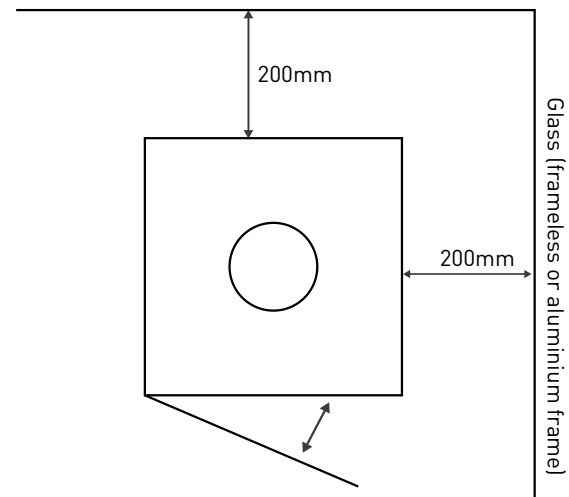
400C / 400F / 600F / 600T



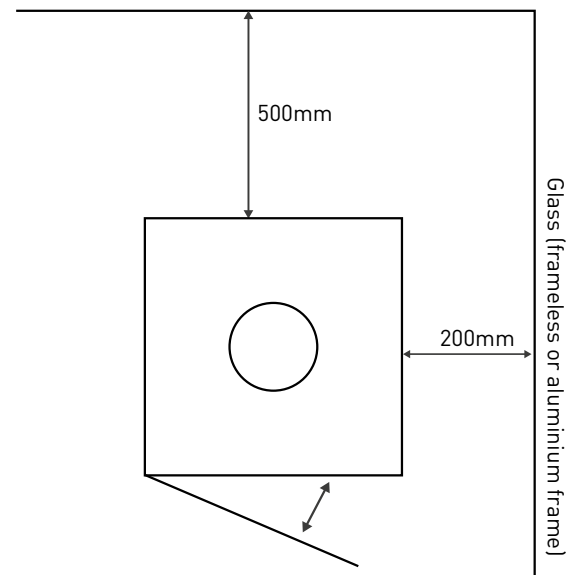
2.2 Clearance from glass

200mm minimum clearance is required from normal non-combustible glass.

400C / 400F / 600F



600T



IMPORTANT:

Frames must also be considered. Timber window frames must be treated as combustible surfaces (see 2.3). Aluminium frames can be treated as non-combustible surfaces (see 2.2).

2. PRE-INSTALLATION (CONTINUED)

MINIMUM CLEARANCE — INTERNAL

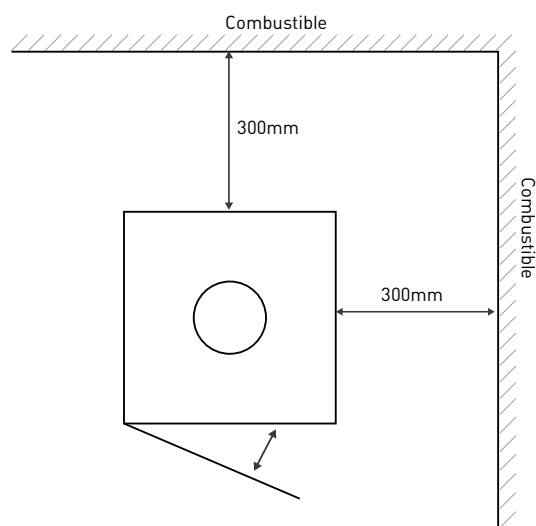
2.3 Clearance from combustible surfaces (eg timber studs & plasterboard)

Clearances may be reduced with the application of heat shielding to walls in accordance to the Australian Building Code.

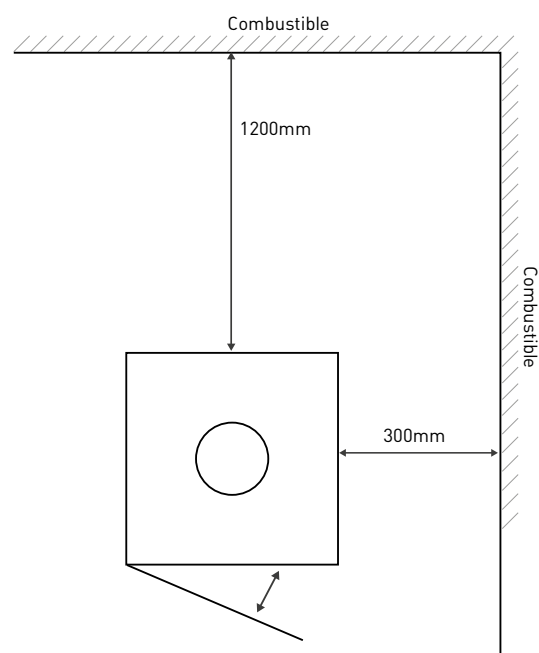
For information on heat shielding please contact our office on 03 9416 0400 or email info@oblica.com.au.

Configuration 1 — Parallel installation

400C / 400F / 600F



600T



2. PRE-INSTALLATION (CONTINUED)

MINIMUM CLEARANCE — INTERNAL

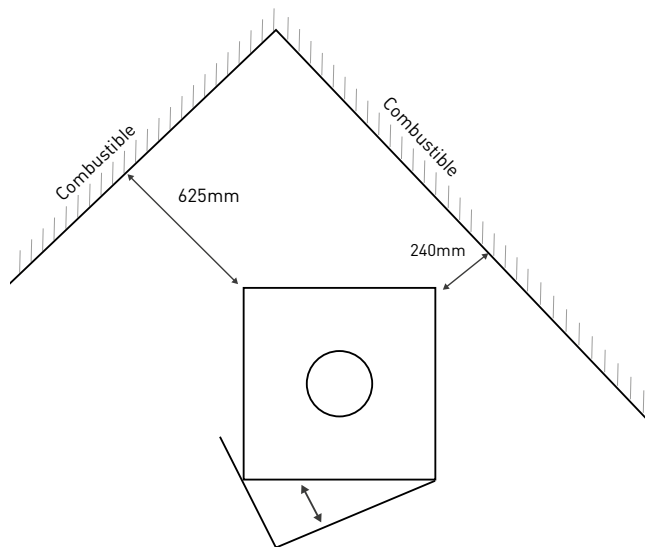
2.3 Clearance from combustible surfaces (eg timber studs & plasterboard)

Clearances may be reduced with the application of heat shielding to walls in accordance to the Australian Building Code.

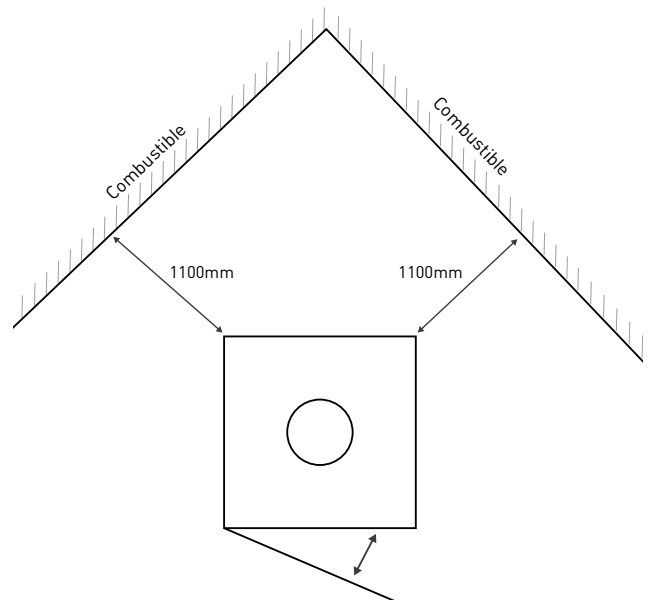
For information on heat shielding please contact our office on 03 9416 0400 or email info@oblica.com.au.

Configuration 2 — Corner installation

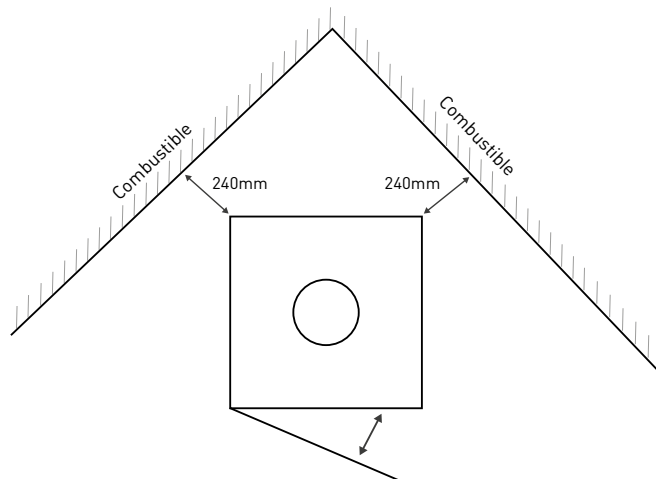
400C



600T



400F / 600F



3. INSTALLATION

INTRODUCTION

Installation:

Installation must be conducted by a certified fireplace installer.

Installation of chimney stove:

Make sure that the floor's carrying capacity is sufficiently high. In case of inadequate carrying capacity, suitable adjusting measures (e.g. plate for load distribution) are to be taken.

Cleaning:

Make sure to clean your chimney stove at regular intervals. This also applies to emptying the ash box and cleaning the shaking grate. Also make sure to clean the connection pieces and flues at least once a year and to apply a heat resistant copper paste on all moving parts such as hinges at least once a year, too. Use a damp cloth and clear water to clean window glasses. Contact your local chimney sweeper for professional cleaning of your chimney at regular intervals.

Ventilation of room and chimney stove:

Please ensure sufficient ventilation of the room. Never close air supply openings or convection shafts of the stove.

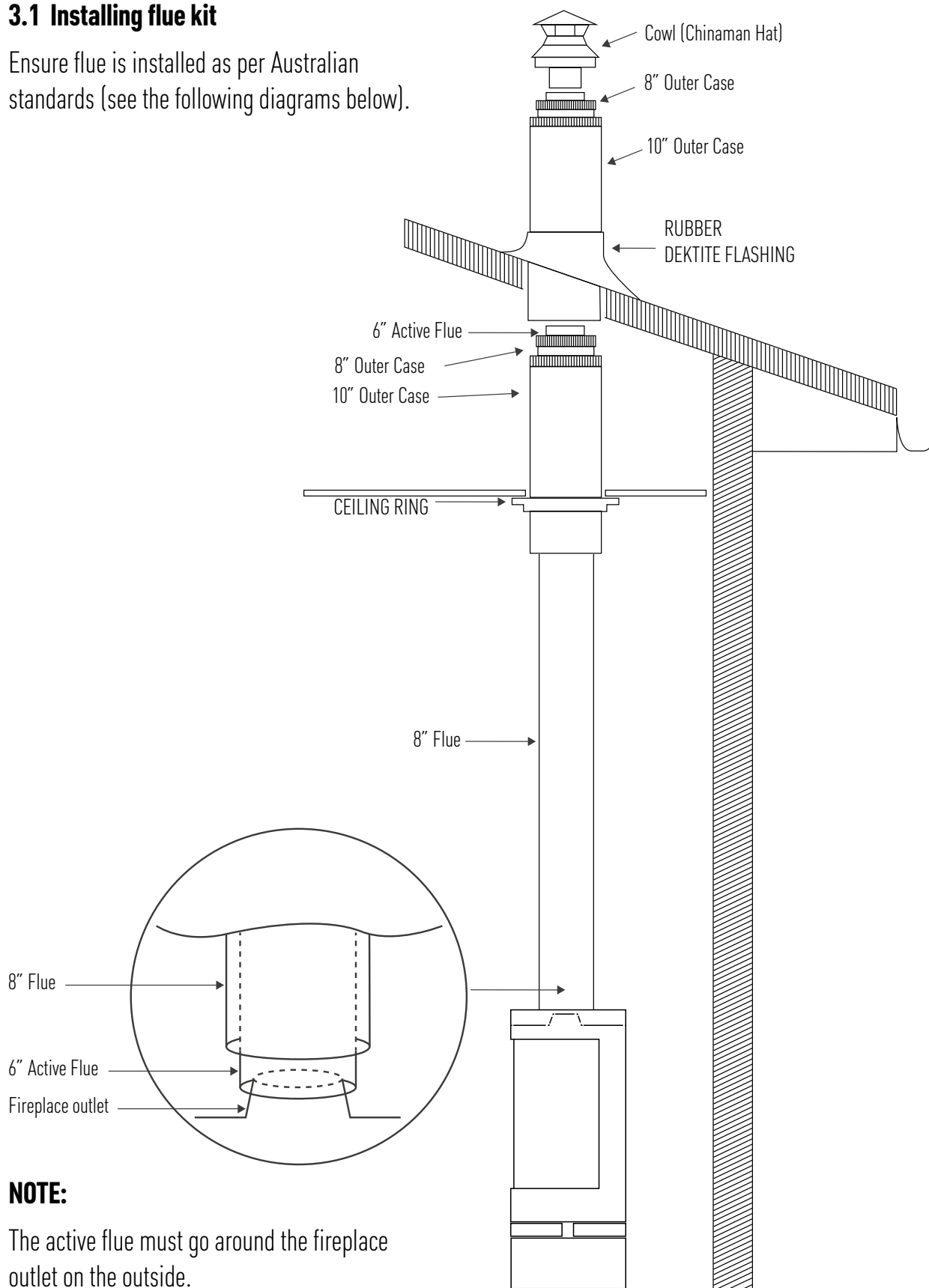
The fire chamber door of a stove operating independently of ambient air always has to be kept closed as otherwise, the operation independent of ambient air cannot be guaranteed!

Combustion air: In order to ensure a proper operation, sufficient air flow for the combustion has to be guaranteed. This chimney stove is constructed to operate independently of ambient air and can either be connected directly outwards with a combustion air conduit (type: FC41x) or to the air channel of an air exhaust chimney— LAS- (type: FC51x). The pressure loss of the combustion air conduit may not be higher than 3 Pa. When using a flexible aluminium tube, please ensure that the pipe is protected against mechanical damages. The combustion air should be lockable outwards with an air damper and the position of the air damper should be visible in the installation room. Combustion air conduit as well as the connection piece need to be airtight.

3. INSTALLATION

3.1 Installing flue kit

Ensure flue is installed as per Australian standards (see the following diagrams below).



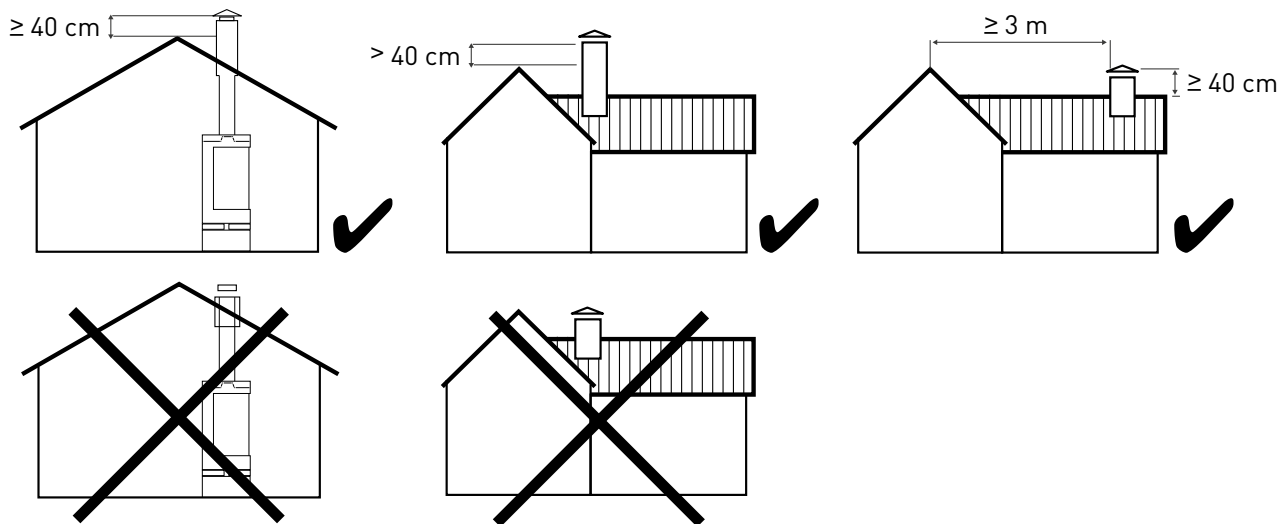
NOTE:

The active flue must go around the fireplace outlet on the outside.

3. INSTALLATION (CONTINUED)

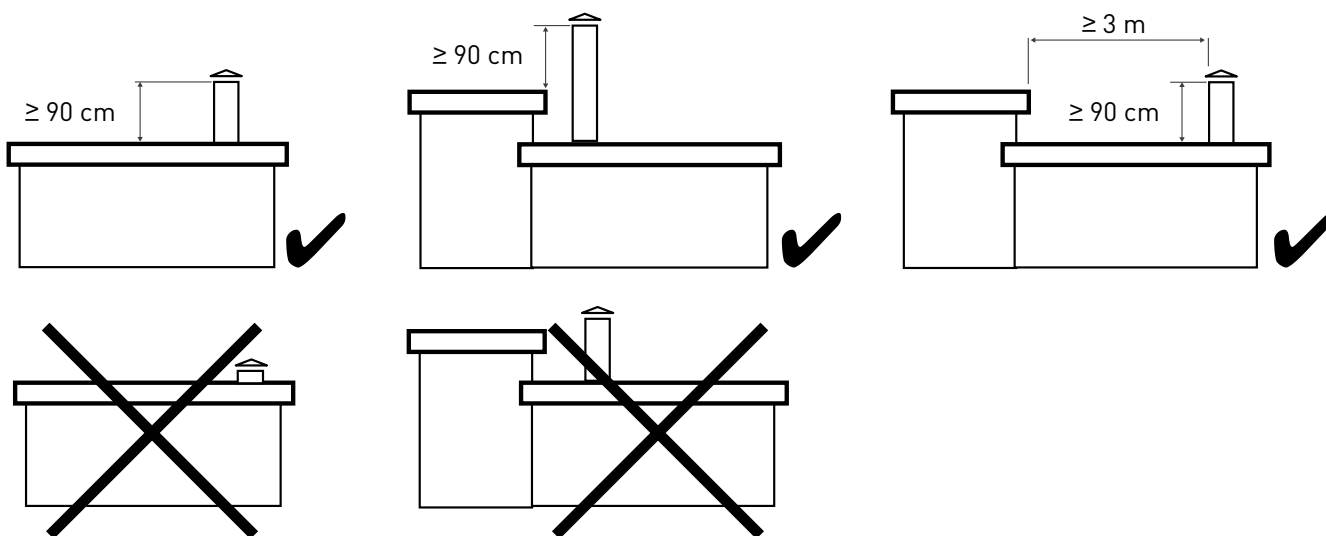
PITCHED ROOF INSTALLATION

The top of the flue must be 400mm higher than the highest point of the roof. Alternatively, there must be a minimum distance of 3 meters from any higher section of roof.



FLAT ROOF INSTALLATION (LESS THAN 5° PITCH)

The top of the flue must be 900mm above the roofline. Alternatively, there must be a minimum distance of 3 meters from any higher section of roof.

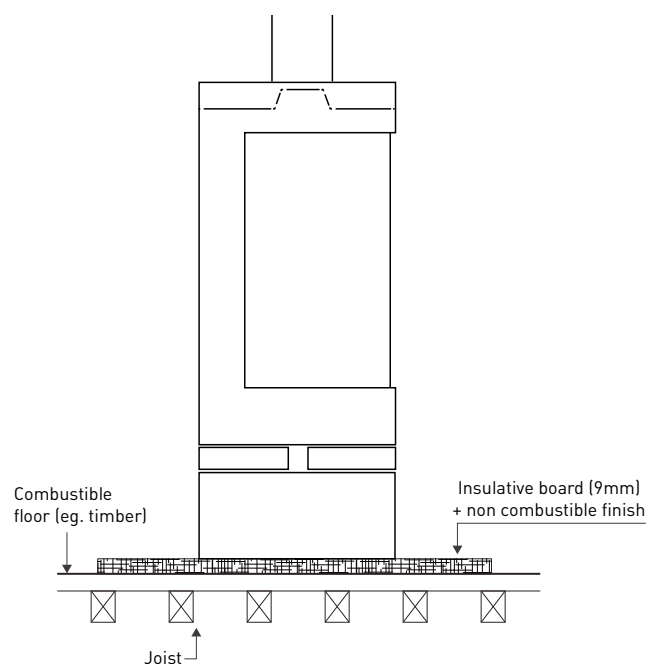


3. INSTALLATION (CONTINUED)

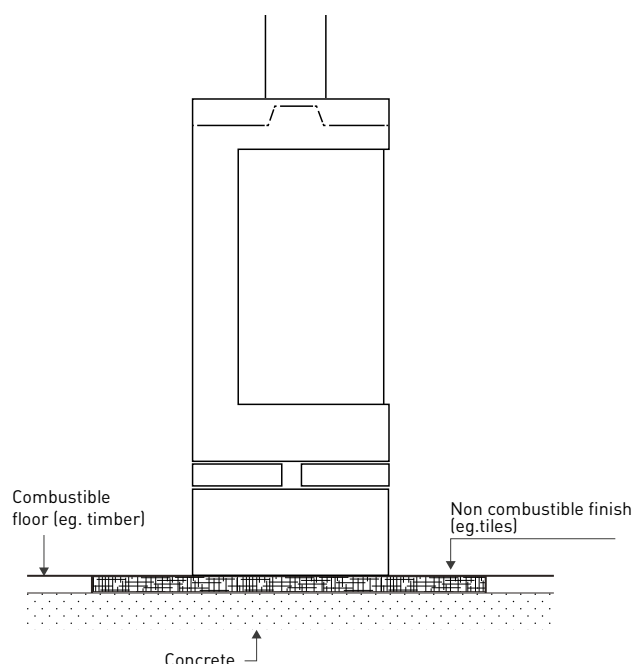
3.2 Protecting the floor

- Any combustible floor beneath a fireplace must have a floor protector that extends 300mm at the front.
- If installed directly on combustible material, the floor protector must be made of a minimum 9mm thick cement sheet. Non-combustible finishes can be applied to the floor protector (tiles, steel sheet, light concrete, etc).
- If the combustible floor is installed on concrete, you can replace the combustible material with non-combustible material laid directly onto the concrete.

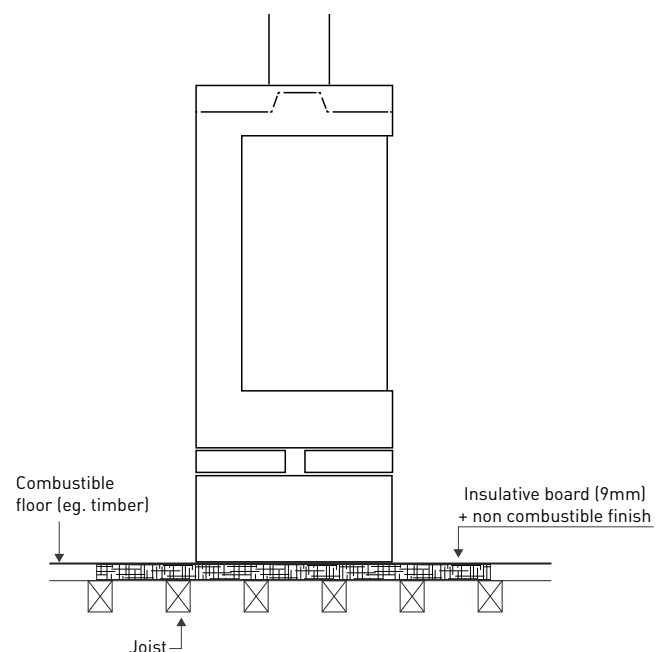
FLOOR PROTECTOR LAID ON TIMBER FLOOR



FLOOR PROTECTOR LAID ON CONCRETE



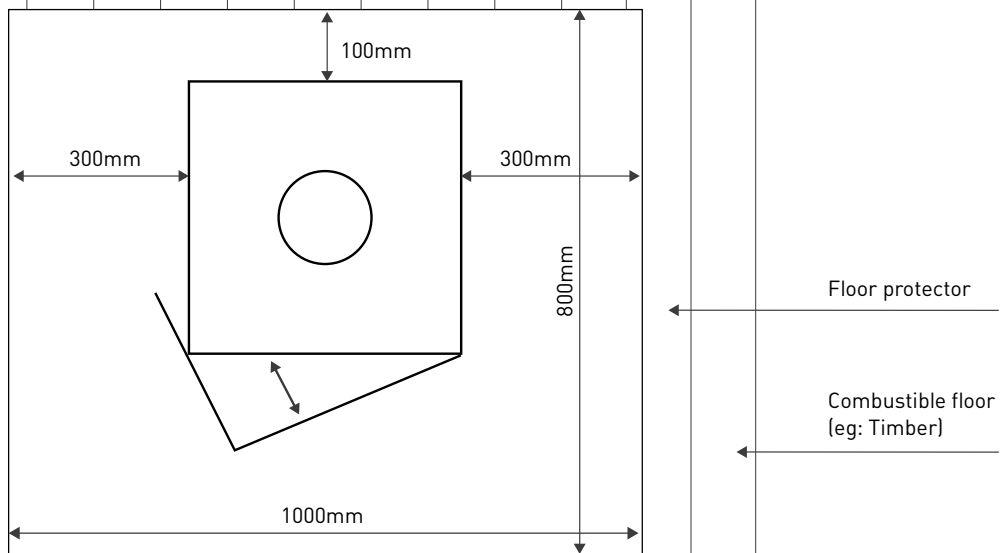
FLOOR PROTECTOR LAID ON JOIST



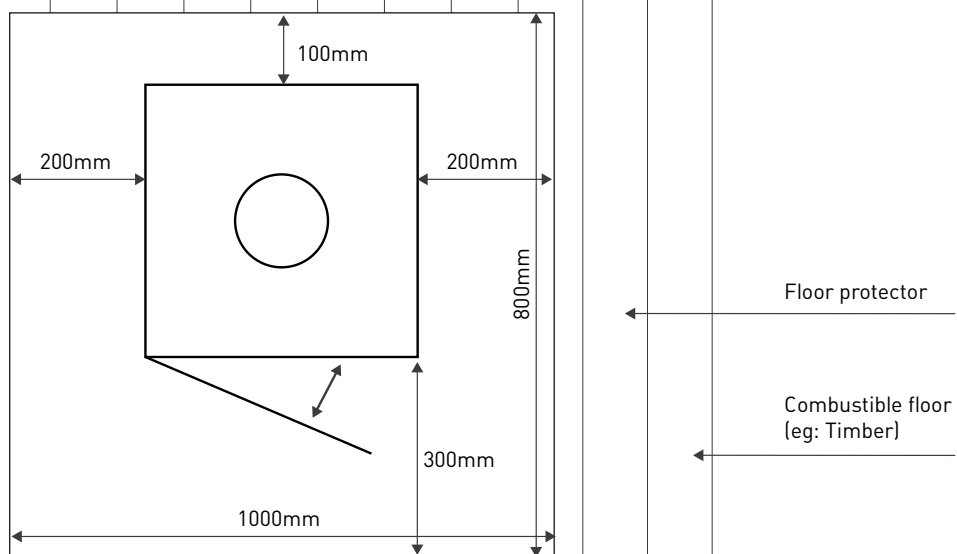
3. INSTALLATION (CONTINUED)

TOP VIEW

400C / 400F



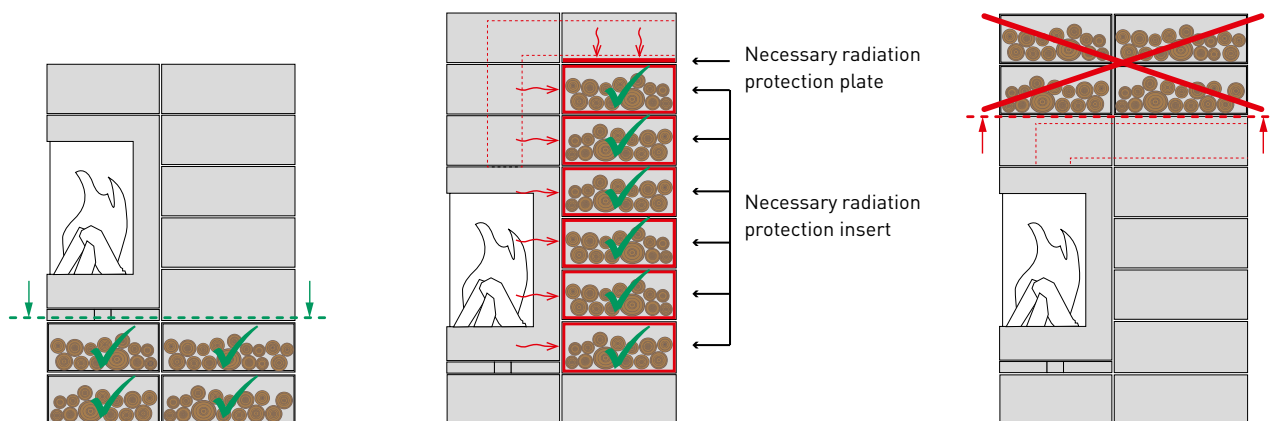
600F / 600T



3. INSTALLATION (CONTINUED)

3.3 Storage of Inflammable Materials (e.g. firewood) in attached Elements

The following prerequisites must be fulfilled if you want to store highly flammable materials such as firewood which are sufficiently ventilated to the front/to the side:



1. The element is located below or below/laterally from the firing chamber. Here, no significant heat transmission takes place. It is also possible to close this element by means of a flap.

2. The element is mounted laterally at the firing chamber and is equipped with a special radiation protection insert against heat transmission. If further extension elements with smoke discharge tubes are provided above this element (for the storage of fuel), these must be equipped additionally with a radiation protection plate on the ground.

3. The storage of flammable materials above extension elements where smoke discharge tubes are fed through is not possible.

Elements above the firing chamber may only be used for storage stones. The storage of objects and in particular of flammable materials is not possible.

For more detailed information please refer to the general assembly and operation instructions.

3. INSTALLATION (CONTINUED)

3.4 Instructions regarding the installation of radiation protection inserts and plates

For fire protection requirements, each element that can be used as a heating box or storage space (e.g. for the storage of flammable materials such as firewood) and which are directly located at the side of the firing chamber or adjacent to an element with a flue tube require the use of an additional radiation protection insert that is inserted into the element.

No radiation protection insert is required below the firing chamber.

Radiation protection insert, 38,0 x 39,0 x 17,7 cm, art. # 8070121

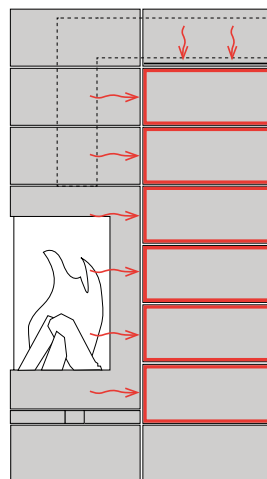
Radiation protection insert, 58,3 x 39,0 x 17,7 cm, art. # 8070122

Should an element with a flue tube be provided above the heating box or a storage place with a flue tube, a radiation protection plate must additionally be inserted into the below element against heat transmission.

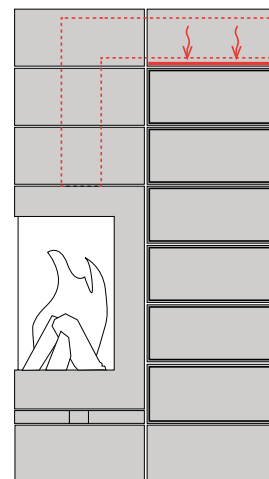
Radiation protection plate, 39,0 x 39,0 x 2,0 cm, art. # 8070224

Radiation protection plate, 59,0 x 39,0 x 2,0 cm, art. # 8070225

Optical boxes with radiation protection insert

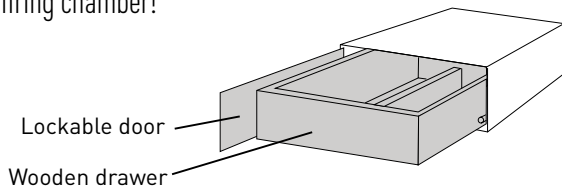


Technical box with radiation protection plate inserted



3.5 Instructions regarding the installation of radiation protection inserts and plates

Due to a possible heat accumulation, the basic boxes with lockable doors must be installed below or below/laterally from the firing chamber!



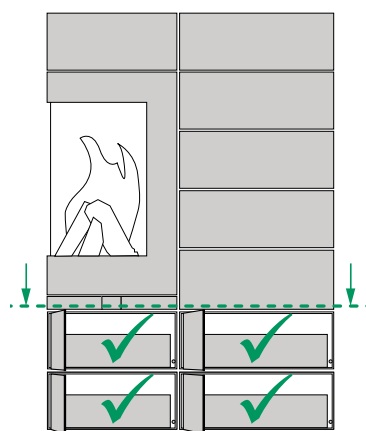
Lockable door, 38,8 x 18,5 cm, art. # 8070123

Lockable door, 58,8 x 18,5 cm, art. # 8070124

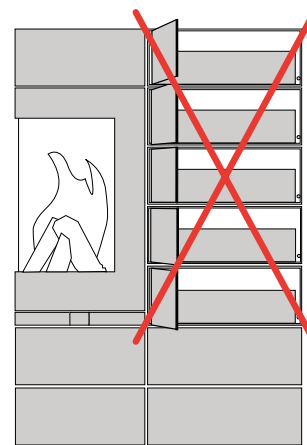
Wooden drawer, 36,0 x 38,5 x 10,0 cm, art. # 8070222

Wooden drawer, 56,0 x 38,5 x 10,0 cm, art. # 8070223

Correct installation:



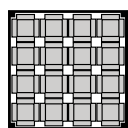
Incorrect installation:



3.6 Instructions regarding skantherm thermostones

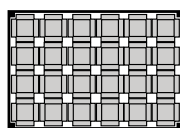
The thermostones can be integrated into an element box of a width of 40,0 cm and 60,3 cm. The weight of a thermostone is approx. 5 kg. Please observe that the total weight of all thermostones in elements lying one above the other must not exceed 160 kg.

Declaration of weight regarding the element boxes with integrated thermostones:

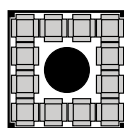


(Top view)

elements box,
40,0 cm wide,
16 thermostones
(approx. 80 kg)

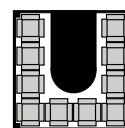


elements box,
60,3 cm wide,
24 thermostones
(approx. 120 kg)

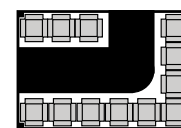


(Top view)

12 thermostones,
approx. 60 kg



10 thermostones,
approx. 50 kg

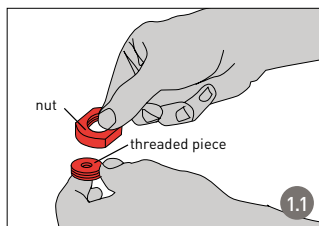


12 thermostones,
approx. 60 kg

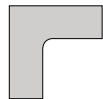
Examples of weight declarations for element boxes with integrated thermostones and flue tube:

3. INSTALLATION (CONTINUED)

3.7 Installation of the extension elements



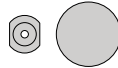
Accessories:



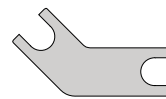
1 pc. wooden positioning bracket (MDF)



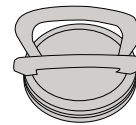
6 pcs. magnet per optical box



Optionally: 4 pcs. adjustment feet, including rubber disk, art. #: 80702111



1 pc. adjustment foot key



1 pc. vacuum lifting tool

1. Installation of the 1st extension elements

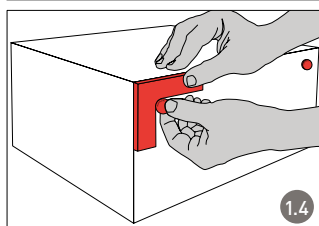
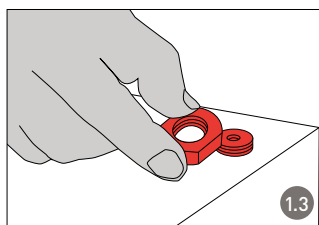
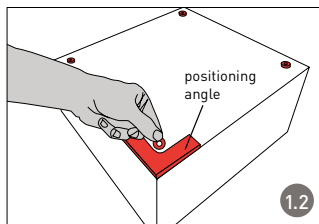
- 1.1 Mounting of the adjustment feet by gluing. An adjustment foot consists of an internal threaded piece and the pertaining nut. The threaded piece is additionally provided with an adhesive layer on one side. Remove the nut from the threaded piece and put it aside.
- 1.2 Place the positioning bracket onto the extension element and align it in accordance with the external edges of the extension element. Remove the paper protection from the adhesive layer. Now, you can position the threaded piece with the adhesive layer carefully into the rounded inner side of the bracket. Press the threaded piece firmly in order to make sure it will stick to the bracket. For the three other adjustment feet of the extension elements, proceed the same way as described above.
- 1.3 Now, screw the nuts on the mounted threaded plates and turn the extension feet upright on its adjustment feet.
- 1.4 Now, using the positioning bracket - position two magnets on the lateral surfaces of the external element that you intend to add to the already existing stove combination. For this purpose, align the positioning bracket at the external edges and position the magnet into the rounded inner side of the bracket. Erect the extension element at a distance of approx. 1.5 to 2 cm to the final position. Push one of the rubber disks under each adjusting leg in order to prevent the extension element from slipping. Now, push the extension element carefully towards the fireplace. The magnets now cling audibly to the combustion chamber. Using the adjustment feet key, you can now align the extension element with regard to its height.

WARNING:

The magnet position determined by the positioning bracket must be observed by all means. Non-observance could lead to an unintended heat transmission to the extension elements.

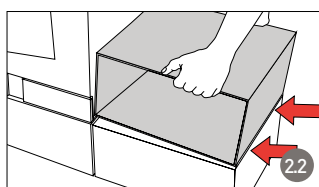
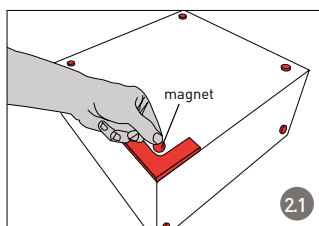
Pace maker

Magnets may have an impact on the function of pace makers and implanted defibrillators. As a person concerned you should keep a sufficient distance to such magnets. Please warn other people wearing such devices before they approach the magnets.



2. Installation of one further extension element

- 2.1 Position the positioning bracket onto the extension element again and carefully position four magnets as described under step.
- 2.2 Now, determine the lateral surface that is to be placed adjacent to the firing chamber or another extension element. Place the magnets in two corners each using the positioning bracket. Make sure the surface is nonmagnetic. Rotate the extension element onto the four magnets. Now, lift the extension element into that position where it is to be mounted. Align one of the outer edges of the extension element in such a way that it is flush with the outer edge of the extension element below and tilt the extension element slowly onto the magnets. It is very important to work with precision since the subsequent alignment is possible only to a small extent.

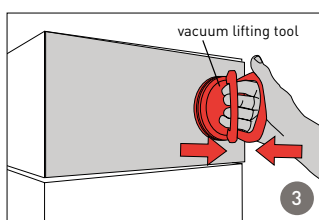


3. Removal of the lid

A lid can be removed using the vacuum lifting tool supplied.

Place the vacuum lifting tool carefully near the external edge of the lid tool.

Press both brackets together. The lid can now be pulled out of the box. **Please loosen the vacuum lifting tool from the lid immediately in order to avoid damage to the paintwork.** The use of a vacuum lifting tool is not needed for the insertion of a lid. The sheet is simply pushed into the open side of the extension element.



4. OPERATION

4.1 What you should burn

- Untreated, air dried hardwood
- Split logs with a humidity content of less than 20%

4.2 Do not burn

- Trash
- Painted plastic
- Coated or preservative treated wood
- Waste or black coal
- Inflammable liquids
- Fire gels
- Moist wood with a residual humidity content of more than 20% (this may cause sooting of the chimney).

IMPORTANT:

- Misuse may lead to unhealthy and environmentally harmful emissions and will void any warranty or guarantee.
- The maximum load capacity for the Elements is 10kg of wood.
- Burning only seasoned hardwood helps to protect the environment and lower emissions.

For details of a wood supplier in your area please call our office on 03 9416 0400 or email info@oblica.com.au.

WARNING:

- Do not use flammable liquids or aerosols to start or rekindle the fire.
- Do not use flammable liquids or aerosols in the vicinity of the fireplace when operating.
- Do not store fuel within prescribed installation clearance distances.
- The use of some types of preservative-treated woods as a fuel can be hazardous.

5. TESTING

TEST REPORT NO HCMG/15/022

TESTING LABORATORY:	HRL Technology
MANUFACTURER:	Skatherm
MODEL:	Elements fireplace
WORK REQUESTED:	Assessment of appliance to AS/NZS 4012:2014 for determination of Power Output and Efficiency and AS/NZS 4013:2014 for Flue Gas Emission using hardwood fuel.
ISSUE DATE:	23/04/2015
INVESTIGATING OFFICER:	Steve Marland
RESULTS:	The appliance particulate emission factor established in testing is 0.6g/kg of dry wood, within the maximum specification of 4.0g/kg of dry wood.
CONCLUSION:	This appliance does comply with the requirements of AS/NZS 4013:2014 for the configuration tested.