



 **REGENCY**
FIREPLACE PRODUCTS

City Series
MODERN FIREPLACES
WITH NO LIMITATIONS

City Series

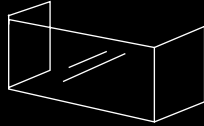
MODERN FIREPLACES WITH NO LIMITATIONS

The Regency City Series of modern gas fireplaces offer unmatched design flexibility, quality, and modern styling. These stunning fireplaces create a unique focal point in your home and provide the calming ambiance of a large fire with just the push of a button.

- TRUE FRAMELESS FIRE & SEAMLESS GLASS BARRIER
- PLACE A TV OR ARTWORK DIRECTLY ABOVE THE FIREPLACE WITH NO LIMITATIONS
- USE ANY MATERIAL RIGHT TO THE EDGE OF THE FIRE, EVEN WOOD OR WALLPAPER
- INDUSTRY'S BEST, MOST COMPREHENSIVE LIMITED LIFETIME WARRANTY



Table of Contents



► **San Francisco Bay**

ACB60E 04

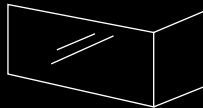
ACB40E 06



► **New York View**

ACV60E 08

ACV40E 10



► **Chicago Corner**

ACB60E with corner installation kit 12

ACC40RE • ACC40LE 14

City Series Features 17

Accessories 22

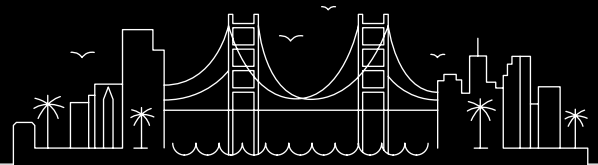
Specifications 24

**NEW
PRODUCT!**



San Francisco Bay 60 shown shown with starfire crystals, volcanic stones & reflective black enamel interior panels.

San Francisco Bay



ACB60E

Create an elegant, stunning focal point with the San Francisco Bay 60. This newest addition to the City Series line is the perfect fit to add the right amount of romance and drama for a medium to large room. The City Series 60" offers a modern, clean design with an impressive 3-sided viewing area that will take your breath away day-after-day.

VIEWING AREA

WIDTH	HEIGHT	DEPTH
1810 mm	457 mm	406 mm

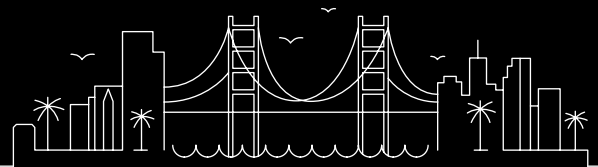


San Francisco Bay 60 shown with black crystals, crushed coal black glass & reflective black enamel interior panels.



San Francisco Bay 40 shown with driftwood log set, black crystals, crushed coal black glass & reflective black enamel interior panels.

San Francisco Bay



ACB40E

Create the look you desire with flexible finishing options, linear design, and stunning log/crystal and flame picture. The San Francisco Bay sparks conversations and welcomes visitors to your home. Enjoy the comfort and ambiance of the unmatched City Series San Francisco 40.

VIEWING AREA

WIDTH	HEIGHT	DEPTH
1194 mm	382 mm	375 mm



San Francisco Bay 40 shown with driftwood log set, black crystals, crushed coal black glass & reflective black enamel interior panels.

**NEW
PRODUCT!**



New York View 60 shown with birch log set, black crystals, crushed coal black glass & matte black interior panels.

New York View



ACV60E

The New York View 60 is a single-sided modern gas fireplace that features Regency's patented Cool Wall System and frameless double glass safety barrier. With a refined flame picture and increased glass viewing area, the CV60 is sure to amaze, offering the ultimate in design flexibility and fire views.

VIEWING AREA

WIDTH	HEIGHT
1534 mm	457 mm



New York View 60 shown with driftwood log set, black crystals, crushed coal black glass & reflective black enamel interior panels.



New York View 40 shown shown with starfire crystals, volcanic stones & reflective black enamel interior panels.

New York View



ACV40E

With its simple, elegant design the New York View 40 brings the flexibility and beauty of the City Series to any home. A frameless design and stunning flame picture are sure to continue grabbing your attention for years to come.

VIEWING AREA

WIDTH	HEIGHT
1016 mm	382 mm



New York View 40 shown with driftwood log set, black crystals, crushed coal black glass & reflective black enamel interior panels.

**NEW
PRODUCT!**



San Francisco Bay 60 shown as a right corner using corner installation kit, black crystals, crushed coal black glass & reflective black enamel interior panels.

Chicago Corner



ACB60E with Corner Installation Kit

Bring the large luxury of the San Francisco Bay 60 to your home with our unique corner installation. With a corner installation kit, the Bay 60 can be transformed into a Chicago Corner, creating a stunning large-faced corner unit, unlike anything you have ever seen before.



San Francisco Bay 60 shown as a right corner using corner installation kit, volcanic stones, black crystals & reflective black enamel interior panels.



Chicago Right Corner 40 shown with black crystals, crushed coal black glass & reflective black enamel interior panels.

Chicago Corner

ACC40LE • ACC40RE

Available as either a Left or Right corner unit with flexible venting options, the Chicago Corner 40 is perfect as a standalone design feature, or as a stunning accent in any room. Flexible installation, unlimited finishing options, and limitless potential is possible with the Chicago Corner 40.

VIEWING AREA

WIDTH	HEIGHT	DEPTH
1092 mm	382 mm	375 mm





*Chicago Left Corner 40 shown with starfire crystals,
& reflective black enamel interior panels.*



San Francisco Bay 40 shown with starfire crystals, volcanic stones & reflective black enamel interior panels.

Unlimited Finishes

NO LIMITS. NO RESTRICTIONS.

Designed to stay cool with Regency's patented Cool Wall System to accommodate custom finishes right to the edge of your fireplace!

ADVANTAGES

- Place a TV above the fireplace without it getting damaged
- Hang artwork without fear of warping
- Paint will not discolor, drywall will not crack
- No internal fans required
- Use any of the examples below to finish right to the edge of the fire, even wood or wallpaper



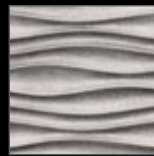
Wood



Wallpaper



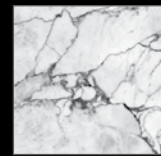
Fabric



Textured Panel



Metal



Marble



Tile



Embossed Panel



Glass



Faux Stone

FRAMELESS FIRE

- An uninterrupted view of the flames
- Seamlessly integrates into any interior
- Patented invisible glass safety barrier
- No frames, mesh or silicone
- Multiple interior liner panel options
- Available in single-sided, two-sided and three-sided designs



New York View 40 shown with black reflective crystals, crushed coal black glass, reflective black enamel interior panels & extended view panels.

Extended View Panels

Flush to the wall and reflective, black glass extended view panels focus the eye, create visual balance, and amplify flames for maximum impact. A literal expansion of City Series' frameless firebox, extended view panels integrate seamlessly for a striking, modern, linear look.

- Create the illusion of a larger fireplace
- Establish balance on a multi-function fireplace feature wall
- Black glass reflective finish amplifies the flame experience
- Can be used on New York 40 & 60 models to extend the length by 610 mm

1



In this photo, the fireplace is overshadowed by a large television, creating a top heavy fireplace feature wall

2



In this photo, the fireplace achieves visual prominence and balance with the addition of black glass extended view panels

Controllable Warmth

FLEXIBLE VENTING OPTIONS

Regency's patented Cool Wall System releases warmth at ceiling level. This system reduces excessive radiant heat in front of the fireplace so you can enjoy your fireplace more often.

- Design your own chase vent solution to suit your home
- Use optional front or left & right side* chase vent grills
- Release warmth into the room discreetly



Front



Side* (left & right)



Top

** When choosing the side venting option, vent grills must be on both sides with a minimum of a 50/50 split. One side cannot be less than the required minimum size of the required ventilation to equal 100%.*

COOL WALL SYSTEM

Cool air is drawn into the system around the floating glass safety barrier. Cooler air is then split between the heat exchanger and the inside wall surface.

The air travelling through the heat exchanger is heated by the fireplace and then directed out the back of the fireplace. The combined warmed air is then vented back into the room.



Create Your Own Fireplace



COMPACT CHASE FRAMING KIT



EXTENDED CHASE & HEARTH FRAMING KIT



CORNER CHASE STARTER KIT

OPTIONAL FRAMING KITS

40" UNITS	WIDTH	DEPTH	HEIGHT (ADJUSTABLE)
Compact chase	1232 mm	475 mm	2032 mm - 3048 mm
Extended chase	1537 mm	475 mm	2032 mm - 3048 mm
Extended hearth	1739 mm	621 mm	216 mm - 292 mm
Corner chase starter kit	1264 mm	457 mm	1597 mm Bottom of unit to top of framing kit

60" UNITS	WIDTH	DEPTH	HEIGHT
Compact chase	1811 mm	518 mm	1994 mm Bottom of unit to top of framing kit

REGENCY STEEL FRAMING KIT



FIREBED OPTIONS



Glass Crystals & Driftwood Log Set



Glass Crystals & Birch Log Set

(BIRCH LOG ONLY AVAILABLE FOR CITY 60 MODELS)

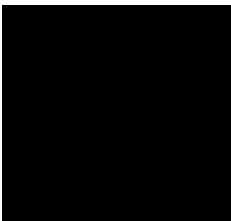


Glass Crystals & Volcanic Stones

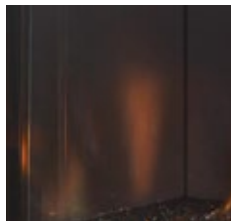


Reflective Black Crystals & Black Coal Crushed Glass

INTERIOR OPTIONS



Matte Black Panels



Reflective Black Enamel Panels



Accent Lights (Standard)

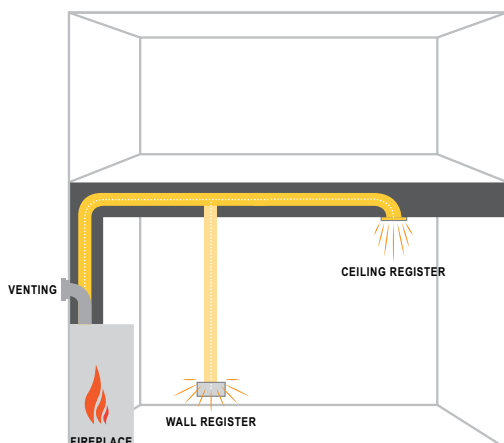
REMOTE



Proflame II

HEAT WAVE™ POWER DUCT SYSTEM

Increase the effectiveness of your fireplace by dispersing warm air from the fireplace to remote locations in the same room or other rooms in your home by using the heat wave power duct system.



CORNER INSTALLATION KIT

The corner installation kit transforms a San Francisco Bay 60 into a Chicago Corner creating a stunning large-faced corner unit unlike anything you have ever seen before.



ACCESSORIES

ACCESSORIES - AT A GLANCE		ACB40E	ACV40E	ACC40RE • ACC40LE	ACB60E	ACV60E	
Clean face design		✓	✓	✓	✓	✓	
Interior options	Firebed	Crystals in various colors	★	★	★	★	
		Sea wool	✓	✓	✓	✓	
	For firebox floor	Black coal crushed glass	★	★	★	★	
		Volcanic stones in various colors	★	★	★	★	
	Log set	Driftwood log set	★	★	★	★	
		Birch log set	•	•	•	★	★
	Inner panels	Matte black	★	★	★	★	★
		Black enamel	★	★	★	★	★
Glass safety barrier		✓	✓	✓	✓	✓	
Finishing trim		•	•	•	•	★	
Extended view panels		•	★	•	•	★	
Framing kits	Compact chase		★	•	•	★	•
	Extended chase		★	•	•	•	•
	Extended hearth		★	•	•	•	•
	Corner chase starter kit		•	•	★	•	•
Chase grills	Front chase grill (304 sq. cm. opening)		★	★	★	•	•
	Front chase grill (1,161 sq. cm. opening)		•	•	•	★	★
	Side chase grill 2pk (304 sq. cm. opening)		★	★	★	•	•
Accent lights		✓	✓	✓	✓	✓	
Controls	Proflame II GTMF		✓	✓	✓	✓	
Venting	Direct vent		✓	✓	✓	✓	
	AstroCap® venting system		★	★	★	★	
	Heat Wave™ power duct system		★	★	★	★	
	Heat Wave adapter		★	★	★	★	
Propane/ULP Conversion kit		★	★	★	★	★	
Corner installation kit		•	•	•	★	•	

- Not available
- ✓ Standard
- ★ Optional

SPECIFICATIONS

► Natural Gas

SPECIFICATIONS - NATURAL GAS		NOMINAL MAX. GAS CONSUMPTION (MJ)	OUTPUT (KW)
San Francisco Bay	ACB60E	41.1 MJ/h	6.15
San Francisco Bay	ACB40E	30 MJ/h	4.54
New York View	ACV60E	41.1 MJ/h	6.15
New York View	ACV40E	30 MJ/h	4.54
Chicago Corner	ACC40RE • ACC40LE	30 MJ/h	4.54

► Propane

SPECIFICATIONS - PROPANE		NOMINAL MAX. GAS CONSUMPTION (MJ)	OUTPUT (KW)
San Francisco Bay	ACB60E	38 MJ/h	5.71
San Francisco Bay	ACB40E	30 MJ/h	4.54
New York View	ACV60E	38 MJ/h	5.71
New York View	ACV40E	30 MJ/h	4.54
Chicago Corner	ACC40RE • ACC40LE	30 MJ/h	4.54

► ULPG

SPECIFICATIONS - ULPG		NOMINAL MAX. GAS CONSUMPTION (MJ)	OUTPUT (KW)
San Francisco Bay	ACB60E	34 MJ/h	5.71
San Francisco Bay	ACB40E	24 MJ/h	4.54
New York View	ACV60E	34 MJ/h	5.71
New York View	ACV40E	24 MJ/h	4.54
Chicago Corner	ACC40RE • ACC40LE	24 MJ/h	4.54

ENJOY YOUR REGENCY — FOR LIFE

You'll be happy with your Regency for years to come, our Limited Lifetime Warranty guarantees it. Not only have we invested in quality workmanship, the finest materials and durable heavy-duty construction but we have carefully selected a dealer network that is committed to your satisfaction. All Regency gas fires pass stringent Australian testing standards. We know that you will be as proud of your Regency as we are.

Limited Lifetime Warranty covers the following components: Combustion chamber, heat exchanger, burner tubes and glass (thermal breakage).

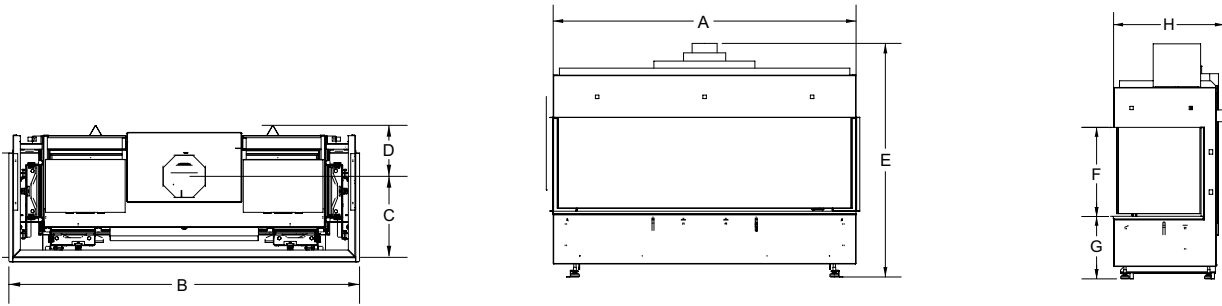
Refer to owner's manual for details.



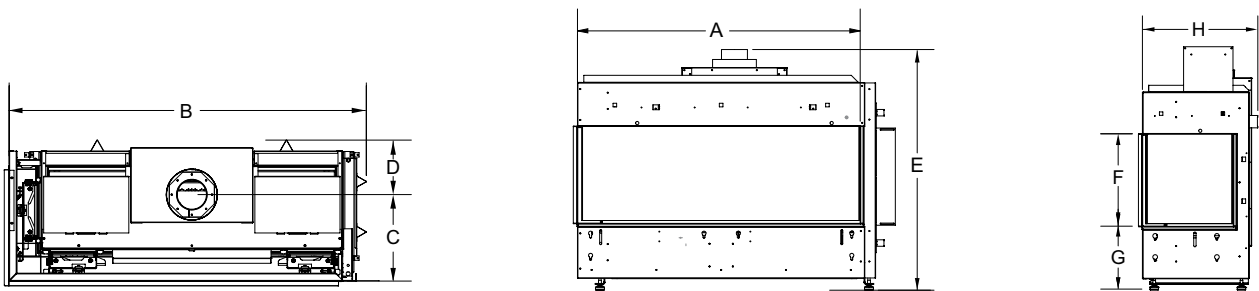
NOTE: All product specifications are subject to change without notice. Before installing refer to the relevant product manual for full and up to date information. Stainless steel inner panels will naturally change tone over time. Heating capabilities of units are affected by: drafts under doorways or through flooring, large glass areas not covered by heavy drapes, ceiling heights greater than 2.4m or cathedral type ceilings, poor or no insulation and geographical locations.

Specifications (mm)

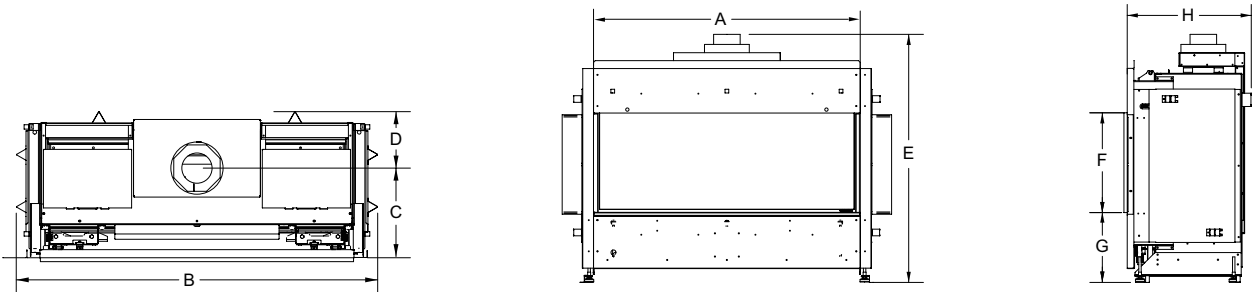
San Francisco Bay units :



Chicago Corner units :



New York View units :

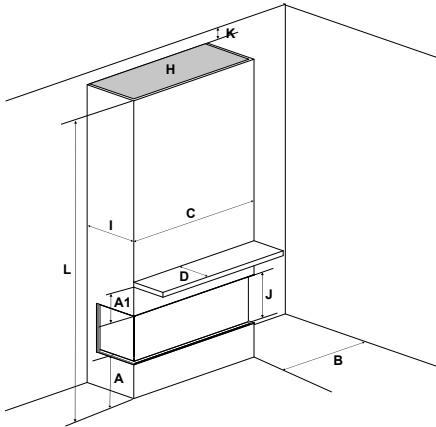


	ACB60E	ACV60E	ACB40E	ACV40E	ACC40RE • ACC40LE
A	1810 mm	1534 mm	1231 mm	1016 mm	1109 mm
B	1837 mm	1666 mm	1261 mm	1175 mm	1219 mm
C	330 mm	344 mm	291 mm	291 mm	291 mm
D	185 mm	185 mm	183 mm	183 mm	183 mm
E	999 mm	999 mm	946 mm	946 mm	946 mm
F	466 mm	457 mm	382 mm	382 mm	382 mm
G	263 mm	257 mm	267 mm	267 mm	267 mm
H	515 mm	529 mm	475 mm	475 mm	475 mm

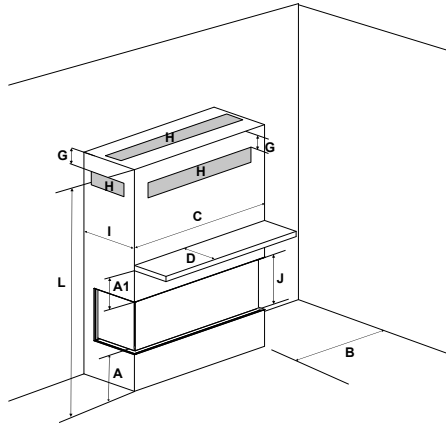
UNITS	VENTING
ACB60E, ACV60E	127 mm x 203 mm
ACB40E, ACC40RE, ACC40LE, ACV40E	102 mm x 168 mm

CLEARANCES (mm)

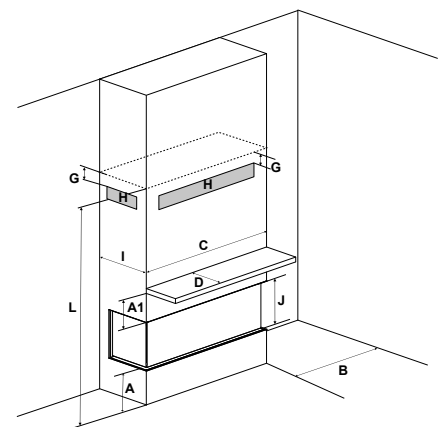
San Francisco Bay units :



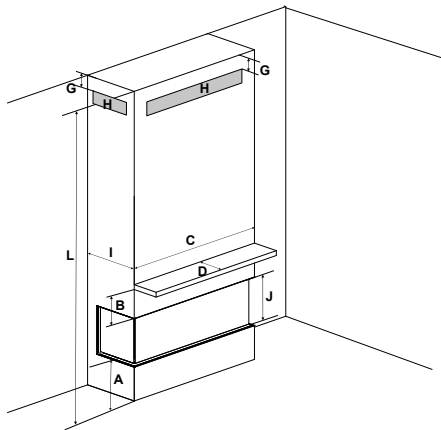
Floor to ceiling with top opening



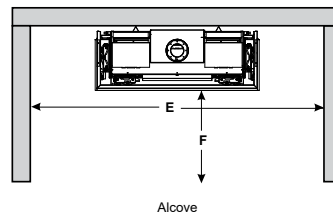
Low framing with vents in front/sides or top



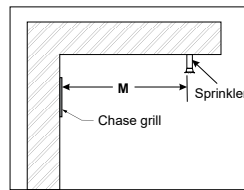
Full framing with low vents in front or sides



Full framing with vents in front or sides



Alcove



Side view

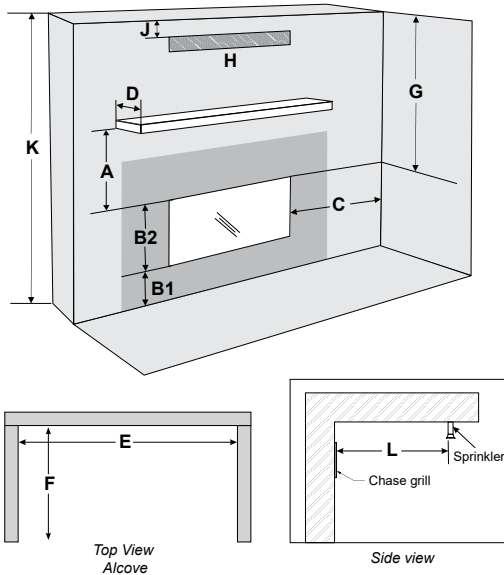
CLEARANCES		ACB60E	ACB40E
A1	From Floor	Min. 260 mm	Min. 0 mm
A	Mantel Height (min.)	**	**
B	Sidewall (on one side)	Min 149 mm	216 mm
C	Enclosure Width (min.)	1810 mm	1230 mm
D	Mantel Depth (max.)	**	**
E	Alcove Width	3035 mm	2134 mm
F	Alcove Depth	889 mm	914 mm
G	To Enclosure Ceiling (min./max.)	0 - 51 mm	0 - 76 mm
H	Convection Air Outlet (min.)	1161 square cm	*
I	Enclosure Depth (min.)	516 mm	483 mm
J	Opening Height	457 mm	383 mm
K	To Ceiling (min.) - All 3 sides	44 mm	38 mm
L	Chase Enclosure (min.)	2064 mm	1600 mm

* A minimum of 774 square centimeters of open area, not lower than 76mm from top of enclosure, required for all installations – this can be achieved by having an open area in front, each side, and/or above as shown in the four diagrams

** See mantel clearances chart in the manual

CLEARANCES (mm)

New York View units :

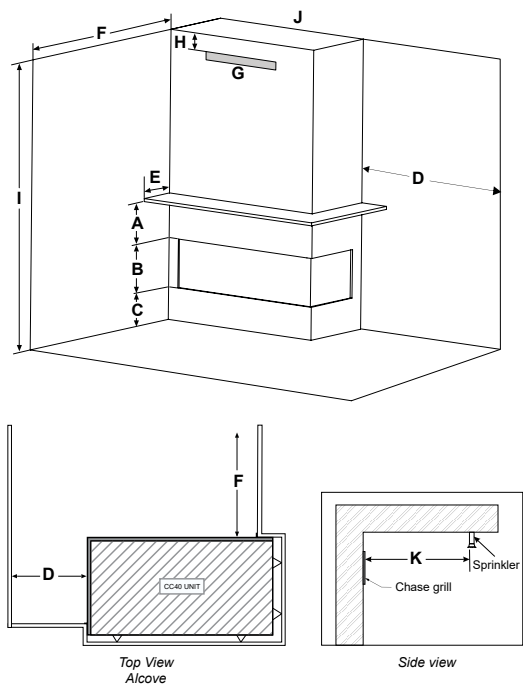


CLEARANCES		ACV60E	ACV40E
A	Mantel Height (min.)	**	**
B1	From Floor	Min. 260 mm	Min. 0 mm
B2	Opening Height	457 mm	383 mm
C	Sidewall (on one side)	203 mm	216 mm
D	Mantel Depth (max.)	**	**
E	Alcove Width	2781 mm	2134 mm
F	Alcove Depth	889 mm	914 mm
G	Ceiling (in front of fireplace)	1350 mm	953 mm
H	Convection Air Outlet (min.)	1161 cm	*
J	Convection Air Outlet Opening Offset	0 - 51 mm	0 - 76 mm
K	Chase Enclosure (min.)	2064 mm	1600 mm

*A minimum of 306 square centimeters of open area, not lower than 152mm from top of enclosure, required for all installations

** See mantel clearances chart in the manual

Chicago Corner units :



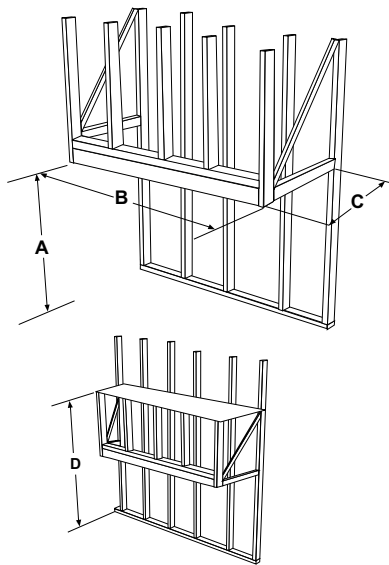
CLEARANCES		ACB60E CORNER INSTALL	ACC40RE • ACC40LE
A	Mantel Height (min.)	**	**
B	Opening Height	457 mm	382 mm
C	From Floor	Min. 260 mm	Min. 0 mm
D	Sidewall (on one side)	Min. 991 mm	Min. 914 mm
E	Mantel Depth (max.)	**	**
F	Alcove Depth	889 mm	Min. 914 mm
G	Convection Air Outlet (min.)	1161 square cm	*
H	Convection Air Outlet Opening Offset	0 - 50 mm	0 - 76 mm
I	Chase Enclosure (min.)	2064 mm	1600 mm

*A minimum of 774 square centimeters of open area, not lower than 76mm from top of enclosure, required for all installations

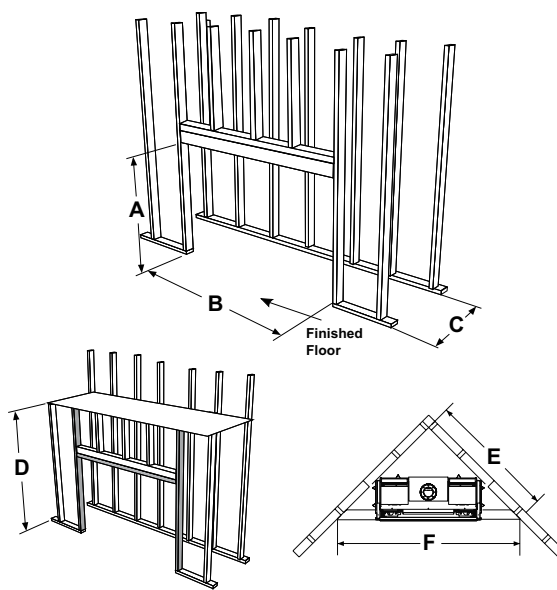
** See mantel clearances chart in the manual

FRAMING (mm)

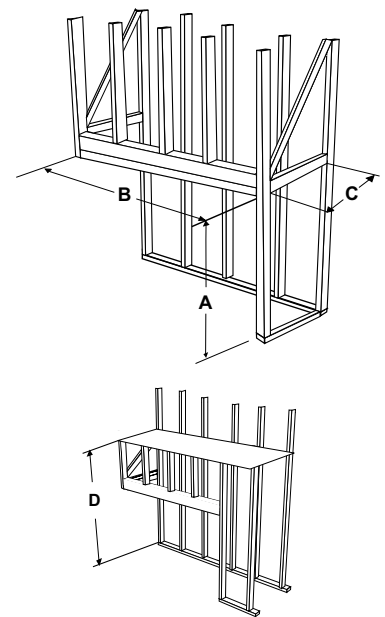
San Francisco Bay units :



New York View units :



Chicago Corner units :



FRAMING	ACB60E • ACB60E CORNER INSTALL	ACV60E	ACB40E	ACV40E	ACC40RE • ACC40LE
A Framing Height	1137 mm	1137 mm	949 mm	949 mm	949 mm
B Framing Width	1810 mm	1668 mm	1232 mm	1187 mm	1226 mm
C Framing Depth	516 mm	516 mm	483 mm	483 mm	483 mm
D Minimum Height to Combustibles	2038 mm	2038 mm	1600 mm	1600 mm	1600 mm
E Corner Wall Depth	-	1866 mm	-	1396 mm	-
F Corner Facing Wall Width	-	2638 mm	-	1974 mm	-

Visit www.regency-fire.com.au for City Series downloads including:

- Specifications
- Detailed drawings
- Manuals
- Framing & clearances



regency-fire.com.au

FIREPLACE PRODUCTS AUSTRALIA PTY LTD.

1 Conquest Way,
Hallam VIC 3803, Australia

Phone: +1800 081 978

Fax: +613 9799 7822

Email: sales@regency-fire.com.au



DISTRIBUTOR WA AIR GROUP AUSTRALIA

28 Division Street,
Welshpool WA 6106, Australia

Phone: +08 9350 2200

DISTRIBUTOR NZ ABER HOLDINGS LTD.

17 Mainstreet Place, PO Box 10095,
Te Rapa Hamilton 3241, New Zealand

Phone: +64 7849 7585

Disclaimer: Appearance of flames varies with installation and fuel type.

Star ratings vary based on flue type and configuration.

©2021 FPI Fireplace Products International Ltd. Regency®,
AstroCap® and Heat Wave™ are registered or proprietary
trademarks of FPI Fireplace Products International Ltd.

All rights reserved (03/21)

Part No. 944-440

Your Regency Dealer