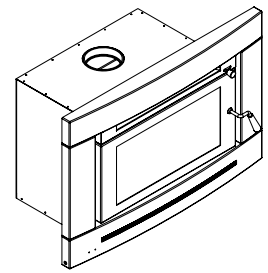
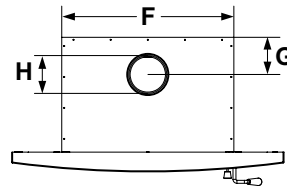
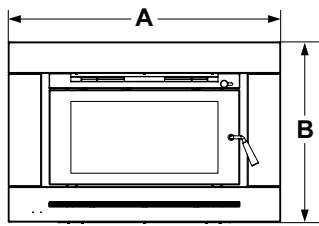
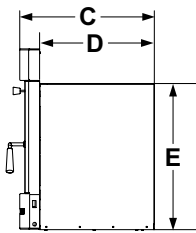


# Specifications (mm)

## BERWICK & BELLERIVE

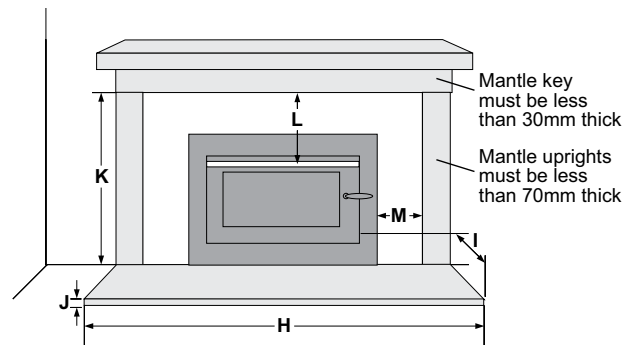


Unit Dimensions	A	B	C	D	E	F	G	H
Bellerive	1100	730	544	464	590	695	150	153
Berwick	940	698	479	415	585	637	177	153

Minimum Fireplace Opening	Width	Height	Depth
Bellerive	699	597	468
Berwick	640	589	420

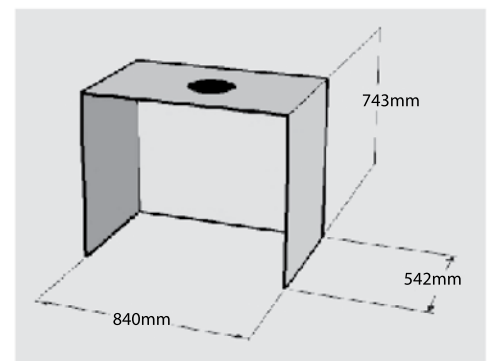
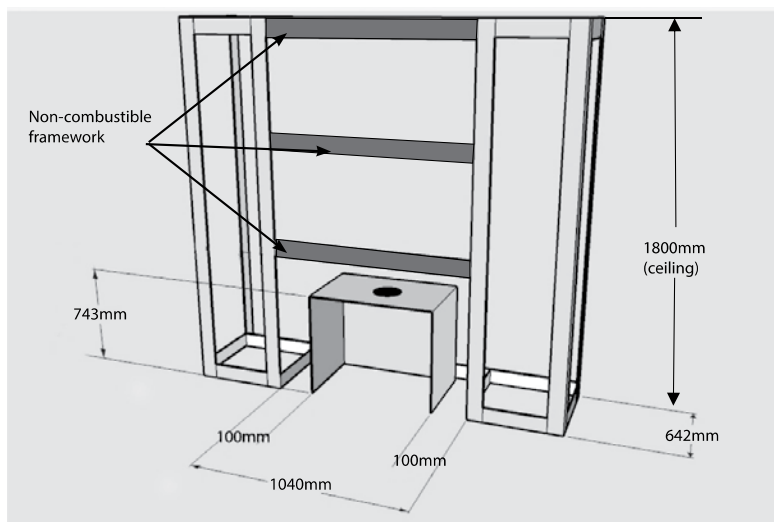
Masonry Chimney Hearth Clearances	H	I	J	K	L	M
Bellerive	1017	400	110	1200	600	30
Berwick	875	350	110	1185	600	30

Zero Clearance Hearth Dimensions	H	I	J
Bellerive	1017	820	30
Berwick	875	570	24



## ZERO CLEARANCE DIMENSIONS TO COMBUSTIBLE MATERIALS

## ZERO CLEARANCE BOX DIMENSIONS



Ceiling requires 100mm airgap where flue penetrates (minimum 450mm diameter cutout).

ALL FRAMING MATERIAL (WHERE SHADED)  
MUST BE NON-COMBUSTIBLE

**IMPORTANT:** Non-combustible sheeting of a minimum thickness of 9mm must be used on the front face of the enclosure.

*Note: The Bellerive and Berwick are approved for zero clearance installations – please see manual for exact instructions. It is important to understand and check local regulations prior to commencing installation.*

*Note: Heating capacity and any burn times are a guide only and can be affected by some or all of the following examples: drafts under doorways or between floorboards, large glass areas not covered by heavy drapes/curtains, green, wet or damp wood, ceiling heights greater than 2.4 metres or cathedral type ceilings, poor or no insulation.*

*All product specifications are subject to change without notice. Before installing refer to the relevant product manual for full and up to date information. Product pictures are a guide only, all wood fires must be installed as per AS 2918:2001. All Regency wood fires exceed stringent joint Australian and New Zealand Standards AS/NZS 4012/4013 (2014). Not all products are available at all outlets.*