

Specifications (mm)

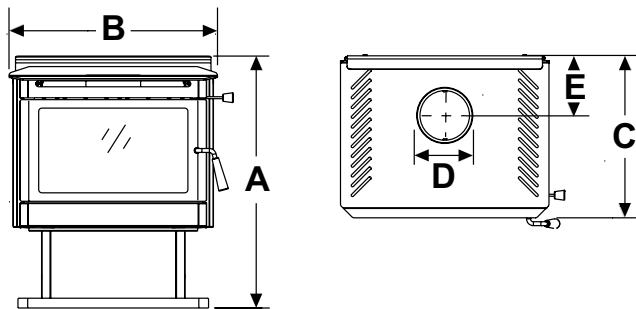
Specifications	Narrabri	Cardinia	Renmark	Alterra	Windsor/ Hamilton	Albany	Hume	Gosford	Kingston
Heating capacity	100-140 m ²	160-200 m ²	180-220 m ²	200-240 m ²	200-240 m ²	200-240 m ²	280-320 m ²	280-320 m ²	180-220 m ²
Efficiency	67%	69%	69%	70%	63%	70%	65%	65%	65%
Emissions (g/kg)	1.4	0.5	0.5	0.5	1.3	0.5	1.5	1.5	0.4
Average heat output (kW)	7.8	10	10	11	9.4	11	13	13	9.7

Where fitted thermostatically controlled fans do not activate until fire heats up and may take 20-30 mins.

NOTE: Heating capacity and any burn times are a guide only and can be affected by some or all of the following examples: drafts under doorways or between floorboards, large glass areas not covered by heavy drapes/curtains, green, wet or damp wood, ceiling heights greater than 2.4 metres or cathedral type ceilings, poor or no insulation.

Heating capacities are based on cooler Australian climate areas – warmer geographical locations within Australia such as Queensland, Northern NSW and Western Australia should factor an increase in unit heating area.

This is a guide - specifications based on the current model at time of publishing. Always refer to the data plate for unit specific details.



Dimensions	A*	B	C**	D	E
Cardinia	692	585	463	152	180
Renmark	712	640	497	152	183
Hamilton / Windsor	879 / 798	610	630	152	163
Albany	792	688	482	152	194
Hume	859	769	539	152	170
Gosford	902	794	570	152	167
Kingston	914	660	768	152	225

*Measured to top of flue collar for height (Kingston, Gosford)

**Including Ash Lip (Kingston)