

# Owners & Installation



## Zero Clearance Room Sealed Gas Fireplace



**FireGenie™**

STYLE	MODEL	
See Thru	PG121-NG1	PG121-LPG1
Left Corner	PG121LC-NG1	PG121LC-LPG1
Right Corner	PG121RC-NG1	PG121RC-LPG1
Pier	PG131-NG1	PG131-LPG1

### PLEASE KEEP THESE INSTRUCTIONS FOR FUTURE REFERENCE

**WARNING:**

Improper installation, adjustment, alteration, service or maintenance can cause injury or property damage. Refer to this manual. For assistance or additional information consult an authorized installer, service agency or the gas supplier.

**FOR YOUR SAFETY**

Do not store or use gasoline or other flammable vapours and liquids in the vicinity of this or any other appliance.

Installation and service must be performed by an authorized installer, service agency or the gas supplier.

**FOR YOUR SAFETY**

What to do if you smell gas:

- Do not try to light any appliance
- Do not touch any electrical switch: do not use any phone in your building.
- Immediately call your gas supplier from a neighbour's phone. Follow the gas supplier's instructions.
- If you cannot reach your gas supplier, call the fire department.

# Manual

**LISTINGS AND CODE APPROVALS**

These gas appliances have been tested in accordance with AS4553, NZS 5262 and have been certified by the Australian Gas Association for installation and operation as described in these Installation and Operating Instructions.

Your unit should be serviced annually by an authorised service person.

---

**To the New Owner:**

**Congratulations!**

You are the owner of a state-of-the-art Gas Fireplace by REGENCY. The PG121-1 / PG121LC-1 / PG121RC-1 / PG131-1 has been designed to provide you with all the warmth and charm of a wood fireplace at the flick of a switch. The model PG121-1 / PG121LC-1 / PG121RC-1 / PG131-1 has been approved by the Australian Gas Association for both safety and efficiency. As it also bears our own mark, it promises to provide you with economy, comfort and security for many trouble free years to follow. Please take a moment now to acquaint yourself with these instructions and the many features of your Regency Fireplace.

**IMPORTANT:**

If the unit is to be installed into a bathroom, optional Neo ceramic glass Part# 360-946 (Front) or Part# 360-948 (Side) must be purchased and installed in place of the tempered glass supplied with the unit.



# TABLE OF CONTENTS

## DATA BADGE

Data Badge.....	4
-----------------	---

## INSTALLATION

Important Message.....	5
Before You Start .....	5
General Safety Information.....	5
Installation Checklist.....	5
Specifications .....	6
Locating Your Fireplace .....	8
Clearances .....	9
Combustible Mantel Clearances .....	9
Framing and Finishing.....	10
Facing and Finishing Requirements.....	11
Unit Assembly Prior to Installation	
Top Standoff Assembly.....	11
Flueing Introduction.....	11
Exterior Flue Termination Locations .....	12
Flueing: Direct Vent System (Flex).....	13
Flueing: Simpson Dura-Vent Direct Vent GS .....	14
Flueing: Simpson Dura-Vent Components List.....	14
Flueing Arrangements	
Horizontal Terminations .....	15
Vertical Terminations.....	17
Flueing - Dura-Vent Horizontal Installations .....	19
Flueing - Dura-Vent Vertical Termination.....	20
Flueing - Installation Procedures for Direct Vent	
System (Flex).....	21
Conversion from NG to LPG.....	22
System Data .....	23
Gas Line Installation .....	24
Pilot Adjustment.....	24
Gas Pipe Pressure Test.....	24
SIT Valve Description .....	24
Log Set Installation .....	25
Glass Door Removal .....	27
Finishing Trim .....	27
Louvers and Grills.....	27
Remote Control (optional) .....	28
Remote Wall Switch (optional) .....	28
Wall Thermostat (optional).....	28
Wiring Diagram.....	28

## OPERATING INSTRUCTIONS

Operating Instructions .....	30
Lighting Procedure .....	30
Shutdown Procedure.....	30
First Fire .....	30
Normal Operating Sounds of	
Gas Appliances .....	30
Aeration Adjustment .....	30
Lighting Plate Instructions .....	31

## MAINTENANCE

Maintenance Instructions .....	31
General Flue Maintenance .....	31
Log Replacement .....	32
Thermopile/Thermocouple.....	32
Glass Gasket .....	32
Door Glass.....	32
Gold-Plated Accessories .....	32
Valve Tray Replacement.....	32
Manual Control Replacement.....	34

## PARTS LIST

Electronic Components List.....	35
Replacement/Spare Parts List.....	36

## WARRANTY

Warranty .....	43
----------------	----

# SAFETY LABEL

This is a copy of the label that accompanies each PG121-1/PG121LC-1/PG121RC-1/PG131-1 Zero Clearance Room Sealed Gas Fireplace. We have printed a copy of the contents here for your review. The safety label is located on the front inside base of the unit, visible when the bottom louver is open.

**NOTE:** Regency units are constantly being improved. Check the label on the unit and if there is a difference, the label on the unit is the correct one.

## Regency Gas Fireplace

Model	○	○	○	○
Gas Type	NG	LPG	NG	LPG
Model	PG121-NG	PG121-LPG	PG131-NG	PG131-LPG
Gas Consumption	41mj.	38mj.	41mj.	38mj.
Manifold Pressure	1.00kPa	2.65kPa	1.00kPa	2.65kPa
Injector Size	1x#31 3.05mm	1x#50 1.78mm	1x#31 3.05mm	1x#50 1.78mm
	AGA 6379 G		AGA 6379 G	
AS 4553				

Distributed by:

Western Australia:  
**Air Group Australia**  
28 Division St  
Welshpool WA 6106

Eastern Australia:  
**Fireplace Products**  
Australia Pty. Ltd.  
1 Conquest Way  
Hallam, VIC 3803

To be installed by an authorised person in accordance with installation instructions provided with the appliance.

Electrical: 240VAC 50Hz 1.0 amp max.

**N2134**

Serial Number 268

918-321d

**DO NOT** OPERATE THIS APPLIANCE BEFORE READING THE INSTRUCTIONS BOOKLET.  
**DO NOT** PLACE ARTICLES ON OR AGAINST THIS APPLIANCE  
**DO NOT** STORE CHEMICALS OR FLAMMABLE MATERIALS NEAR THIS APPLIANCE.  
**DO NOT** SPRAY AEROSOLS IN THE VICINITY OF THIS APPLIANCE WHILE IN OPERATION.  
**DO NOT** OPERATE WITH PANELS, COVERS OR GUARDS REMOVED FROM THIS APPLIANCE.  
**DO NOT** ENCLOSE THIS APPLIANCE.  
**DO NOT** MODIFY THIS APPLIANCE.

908-602a

## IMPORTANT: SAVE THESE INSTRUCTIONS

The Regency PG121/PG121LC/PG121RC/PG131-NG1 or PG121/PG121LC/PG121RC/PG131-LPG1 Room Sealed Gas Fireplace must be installed in accordance AG601 and NZS 5261 and with these instructions. Carefully read all the instructions in this manual first. Consult the "authority having jurisdiction" to determine the need for a permit prior to starting the installation. It is the responsibility of the installer to ensure this fireplace is installed in compliance with manufacturer's instructions and all applicable codes.

## BEFORE YOU START

Safe installation and operation of this appliance requires common sense, however, we are required to make you aware of the following:

**INSTALLATION AND REPAIR SHOULD BE DONE BY A AUTHORIZED SERVICE PERSON. THE APPLIANCE SHOULD BE INSPECTED BEFORE USE AND AT LEAST ANNUALLY BY A AUTHORIZED SERVICE PERSON. MORE FREQUENT CLEANING MAY BE REQUIRED DUE TO EXCESSIVE LINT FROM CARPETING, BEDDING MATERIAL, ETC. IT IS IMPERATIVE THAT CONTROL COMPARTMENTS, BURNERS AND CIRCULATING AIR PASSAGEWAYS OF THE APPLIANCE BE KEPT CLEAN.**

**DUE TO HIGH TEMPERATURES, THE APPLIANCE SHOULD BE LOCATED OUT OF TRAFFIC AND AWAY FROM FURNITURE AND DRAPERIES.**

**WARNING: FAILURE TO INSTALL THIS APPLIANCE CORRECTLY WILL VOID YOUR WARRANTY AND MAY CAUSE A SERIOUS HOUSE FIRE.**

**CLOTHING OR OTHER FLAMMABLE MATERIAL SHOULD NOT BE PLACED ON OR NEAR THE APPLIANCE.**

**CHILDREN AND ADULTS SHOULD BE ALERTED TO THE HAZARDS OF HIGH SURFACE TEMPERATURES, ESPECIALLY THE FIREPLACE GLASS, AND SHOULD STAY AWAY TO AVOID BURNS OR CLOTHING IGNITION.**

**YOUNG CHILDREN SHOULD BE CAREFULLY SUPERVISED WHEN THEY ARE IN THE SAME ROOM AS THE APPLIANCE.**

## GENERAL SAFETY INFORMATION

- 1) The appliance shall be installed in accordance with the manufacturer's installation instructions, local gas fitting regulations, municipal building codes, water supply regulations, electrical wiring regulations, with AS5601-2004 (AGA gas installation code) NZS 5261 (New Zealand)
- 2) See general construction and assembly instructions. The appliance and flue should be enclosed.
- 3) This appliance must be connected to the specified flue and termination cap to the outside of the building envelope. Never flue to another room or inside a building. Make sure that the flue is fitted as per Flueing instructions.
- 4) Inspect the flueing system annually for blockage and any signs of deterioration.
- 5) Flueing terminals shall not be recessed into a wall or siding.
- 6) Any safety glass removed for servicing must be replaced prior to operating the appliance.
- 7) To prevent injury, do not allow anyone who is unfamiliar with the operation to use the fireplace.
- 8) Wear gloves and safety glasses for protection while doing required maintenance.
- 9) Be aware of electrical wiring locations in walls and ceilings when cutting holes for termination.
- 10) Under no circumstances should this appliance be modified. Parts that have to be removed for servicing should be replaced prior to operating this appliance.
- 11) Installation and any repairs to this appliance should be done by a authorized service person. A authorized service person should be called to inspect this appliance annually. Make it a practice to have all of your gas appliances checked annually.
- 12) Do not slam shut or strike the glass door.
- 13) Under no circumstances should any solid fuels (wood, paper, cardboard, coal, etc.) be used in this appliance.
- 14) The appliance area must be kept clear and

free of combustible materials, (gases and other flammable vapours and liquids).

Emissions from burning wood or gas could contain chemicals known to the State of California to cause cancer, birth defects or other reproductive harm.

## INSTALLATION CHECKLIST

**NOTE:  
Not intended for  
fireplace insert.  
  
These units are  
non-load bearing.**

- 1) Locate appliance;
  - a) Room location
  - b) Clearances to Combustibles
  - c) Mantle Clearances
  - d) Framing & Finishing Requirements
  - e) Flueing Requirements
- 2) Assemble Top Standoffs. (NOTE: must be done before installing unit into fireplace.)
- 3) Install flue.
- 4) Make gas connections. Test the pilot. Must be as per diagram in "Pilot Adjustment" section.
- 5) Install log set.
- 6) Install Glass Door, Louvers or Grills , and Finishing Trim.
- 7) Final check.

Before leaving this unit with the customer, the installer must ensure that the appliance is firing correctly and operation fully explained to customer.

This includes:

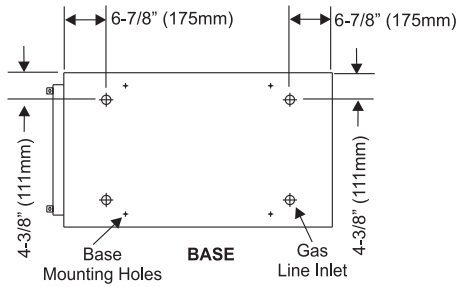
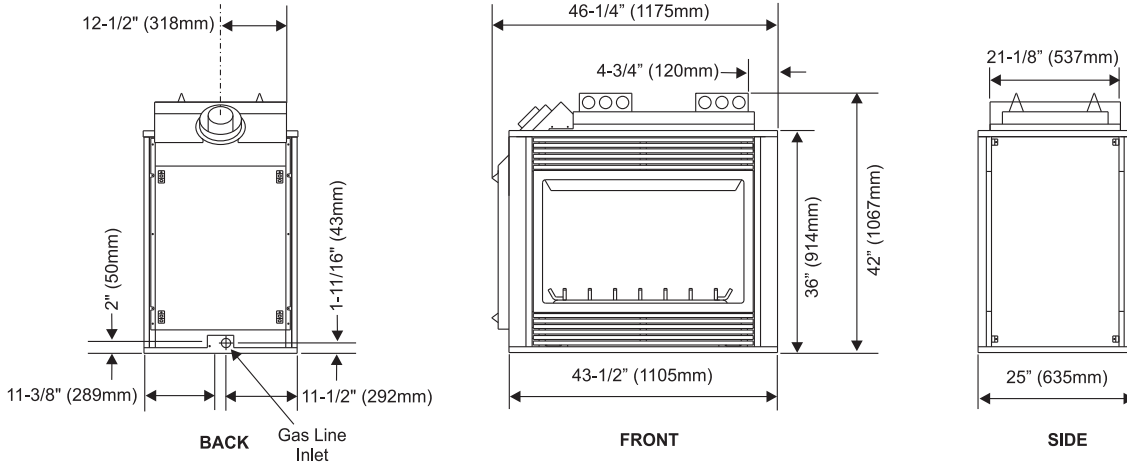
- 1) Clocking the appliance to ensure the correct firing rate (rate noted on label 40,000 Btu/h NG, and 39,000 Btu/h LPG) after burning appliance for 15 minutes.
- 2) If required, adjusting the primary air to ensure that the flame does not carbon. First allow the unit to burn for 15-20 min. to stabilize.

**CAUTION: Any alteration to the product that causes sooting or carboning that results in damage is not the responsibility of the manufacturer.**

# INSTALLATION

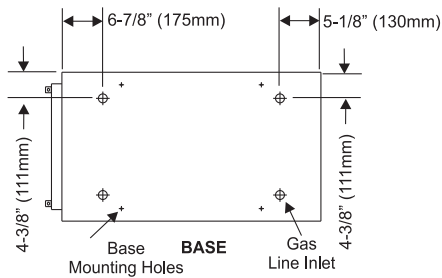
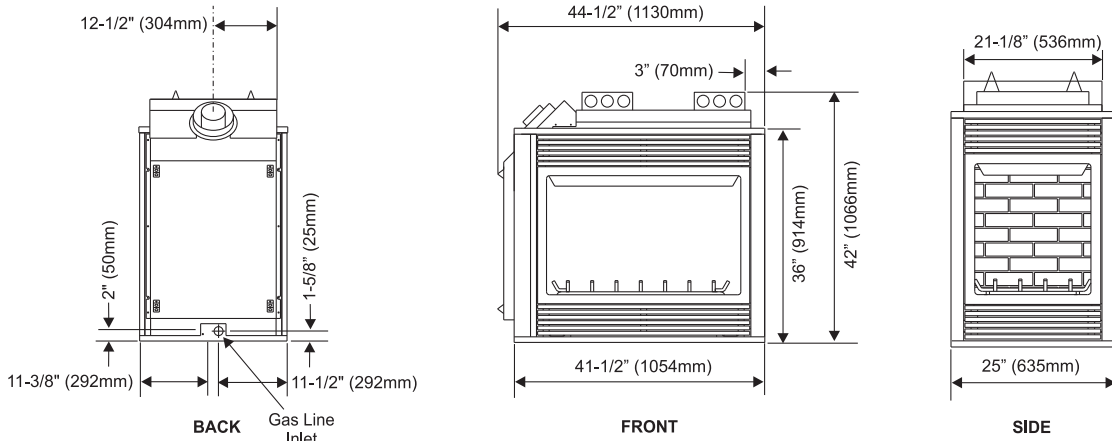
## SPECIFICATIONS

### PG121-1 - See Thru

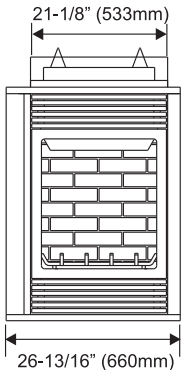


**Note: These units are non-load bearing.**

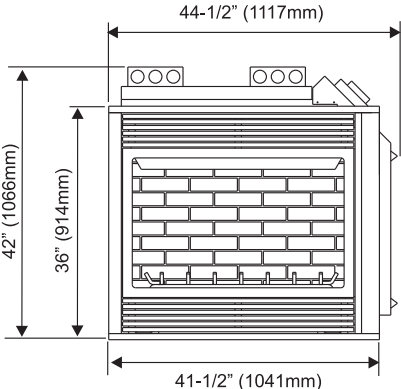
### PG131-1 - Pier



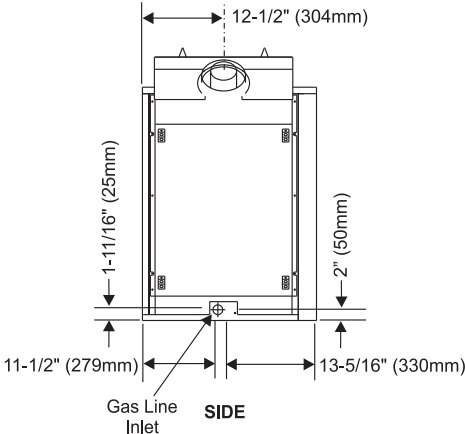
## PG121LC-1 - Left Corner Unit



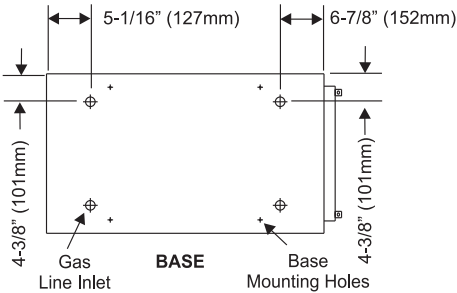
BACK



FRONT



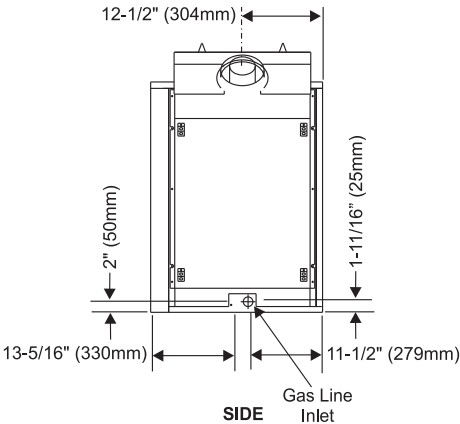
SIDE



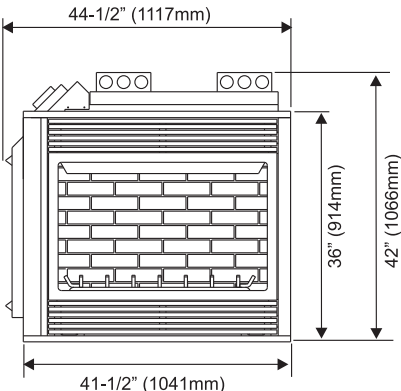
BASE

**Note: These units are non-load bearing.**

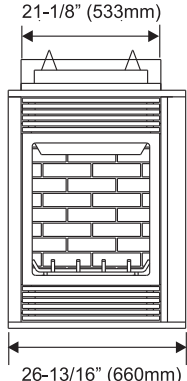
## PG121RC-1 - Right Corner Unit



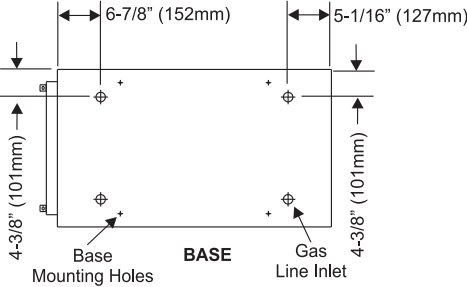
SIDE



FRONT



BACK



BASE

# INSTALLATION

## LOCATING YOUR GAS FIREPLACE

- 1) When selecting a location for your stove, ensure that the clearances are met as outlined in the "Clearances" section.
- 2) Provide adequate clearances for servicing.
- 3) The appliance must be installed on a flat, solid, continuous surface (e.g. wood, metal, concrete). This may be the floor, or raised up on a platform to enhance its visual impact. If the appliance is going to be installed on carpeting, combustible linoleum tile or other combustible material other than wood flooring, the appliance must be installed on a metal or wood panel extending the full width and depth of the appliance.

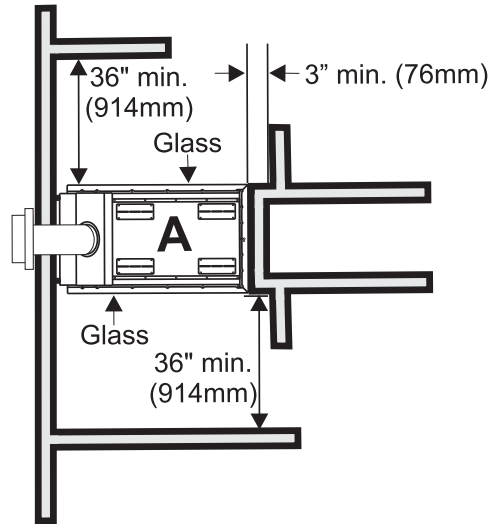
4) The Room Sealed Gas Fireplace can be installed as follows:

Model #	Position
A)	PG121-1: See Thru
B)	PG131-1: Pier
C)	PG121LC-1: Left Corner
D)	PG121RC-1: Right Corner

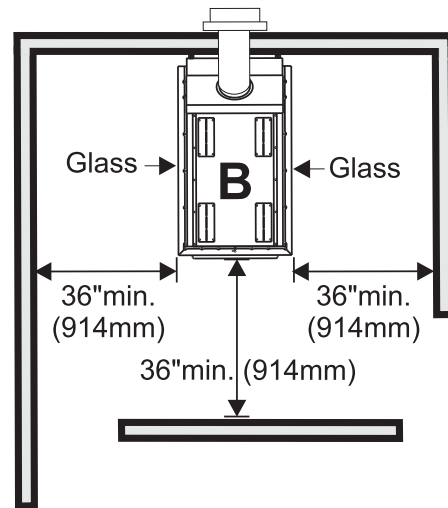
- 5) This appliance is Listed for bedroom installations when used with a Listed Millivolt Thermostat. Some areas may have further requirements, check local codes before installation.
- 6) The PG121-1 / PG121LC-1 / PG121RC-1 / PG131-1 Room Sealed Gas Fireplace is approved for alcove installations, which meet the clearances listed on this page.
- 7) We recommend that you plan your installation on paper using exact measurements for clearances and floor protection before actually installing this appliance. Have a authorized inspector, dealer, or installer review your plans before installation.

**Note:** For Exterior Flue Termination Locations see "Exterior Flue Termination" section.

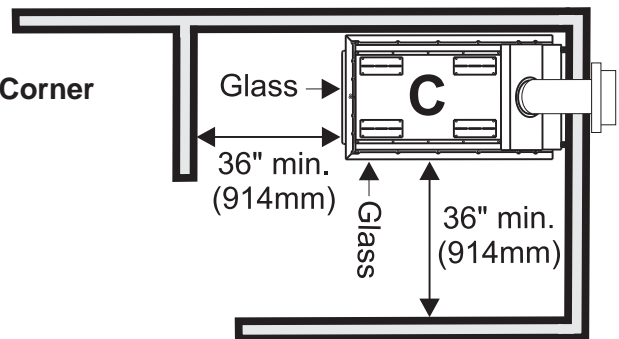
**A) PG121-1 - See Thru**



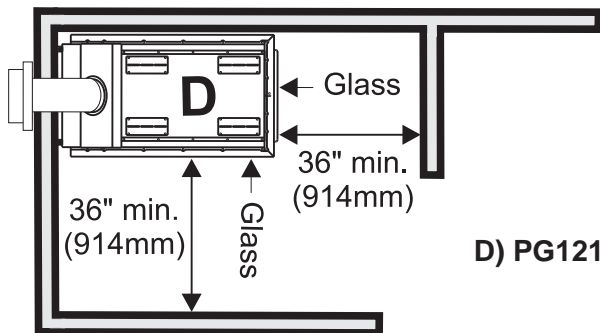
**B) PG131-1 - Pier**



**C) PG121LC-1 - Left Corner**



**D) PG121RC-1 - Right Corner**





## CLEARANCES

The clearances listed below are Minimum distances unless otherwise stated (refer to diagrams in "Locating Your Gas Fireplace" section):

**Clearance to Combustibles from:**

<b>Back</b>	0"	(0mm)
<b>Side</b>	0"	(0mm)
<b>Floor</b>	0"	(0mm)

**CAUTION REQUIREMENTS:** The top, back and sides of the fireplace are defined by standoffs. The metal ends of the standoffs may **NOT** be recessed into combustible construction.

Determine the total thickness of the finished floor (eg. tile, carpet, slate) to allow the finished surface to be flush with the base of the unit.

**Ceiling Height from Floor** 72" (1828mm)

**Mantel Height from Base of Unit:**  
39" min. (991mm)

**Horizontal Flue Clearances:**

<b>Top</b>	2-1/2"	(64mm)
<b>Side</b>	1-1/2"	(38mm)
<b>Bottom</b>	1-1/2"	(38mm)

**Vertical Flue Clearances** 1-1/4" (32mm)

**WARNING:**  
Fire hazard is an extreme risk if these clearances (air space) to combustible materials are not adhered to. It is of greatest importance that this fireplace and flue system be installed only in accordance with these instructions.

## COMBUSTIBLE MANTELS

Due to the extreme heat this fireplace emits, the mantel clearances are critical. Combustible mantel clearances from top of unit are shown in Diagram to the right.

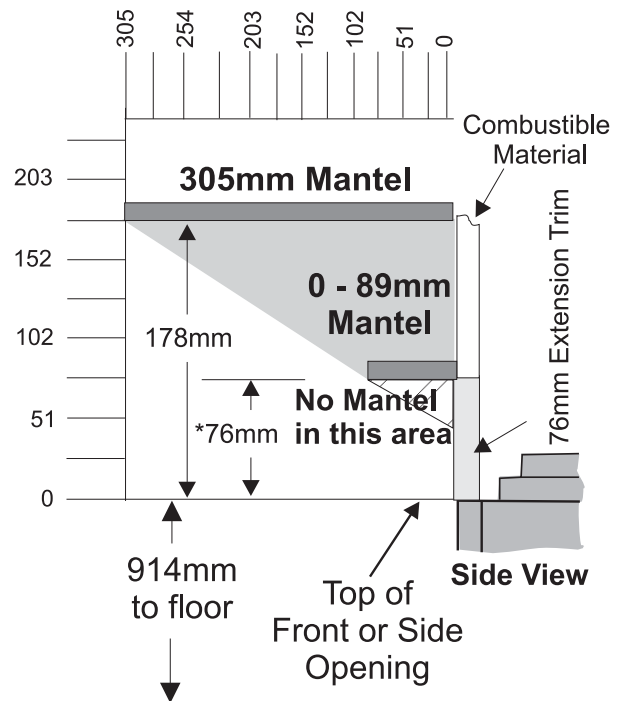
**Note:** A non-combustible mantel may be installed at a lower height if the framing is made of metal studs covered with a non-combustible board.

This drawing is to scale at 1:6 (one inch = 6 inches)  
Mantel can be installed anywhere in shaded area or higher using this scale.

**Caution:** Ensure the paint that is used on the mantel and the facing is "heat resistant" or the paint may discolour.

\* If the 3" (76mm) metal extension trim is removed it must be replaced with a 8" (203mm) non-combustible material.

**Mantel Clearances**



# INSTALLATION

## FRAMING AND FINISHING

- 1) For ease of installation, frame your fireplace after it is positioned and the flue system is installed. Remember to install the top standoffs. Use 2x4's and frame to local building codes.

**CAUTION:** Verify your fireplace dimensions, framing methods and finished wall facing details before framing. Determine the total thickness of facing material - drywall plus ceramic tiles, slate, etc. Allow the finish surface to be flush with the front or side of the unit. Total facing thickness can vary from 1/2" (13mm) to 1-1/4" (32mm) thick.

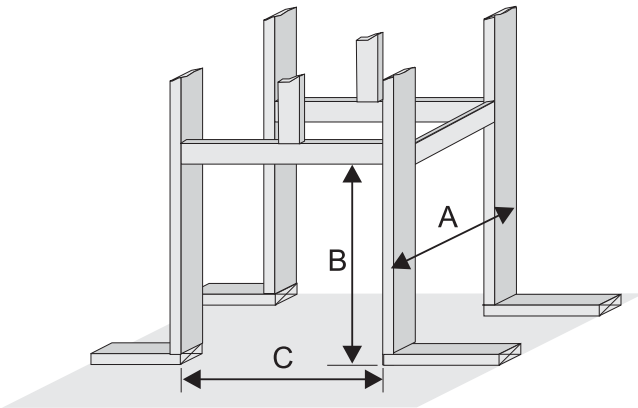
- 2) When locating your appliance on an exterior wall or in a chase, apply a vapour barrier and drywall, as per local building codes. **DO NOT INSULATE THE FIREPLACE ITSELF.**

**CAUTION:** The unit does not have to be completely enclosed in a chase. The clearance on top of the unit is 0" to the standoffs so combustible building materials can be laid directly on top of the standoffs. You must maintain clearance from the flue to combustible materials for both rigid and flex.

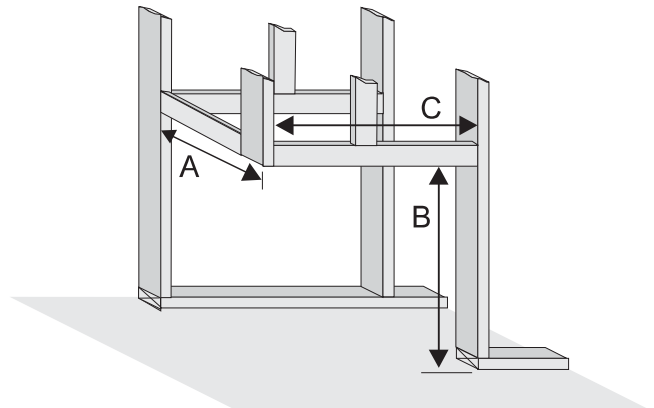
Framing Dimensions			
	PG121 (See Thru)	PG131 (Pier)	PG121LC / PG121RC (Corner Unit)
<b>A</b>	25"(635mm) minus two times the finishing material thickness*	25"(635mm) minus two times the finishing material thickness*	26-13/13"(660mm) minus two times the finishing material thickness*
<b>B</b>	42-1/2"(1080mm)	42-1/2"(1080mm)	42-1/2"(1080mm)
<b>C</b>	46-3/4"(1187mm)	45" (1143mm) minus one time the finishing material thickness*	45"(1143mm) minus one time the finishing material thickness*

\* Finish material thickness includes: drywall, ceramic tile, slate, etc.

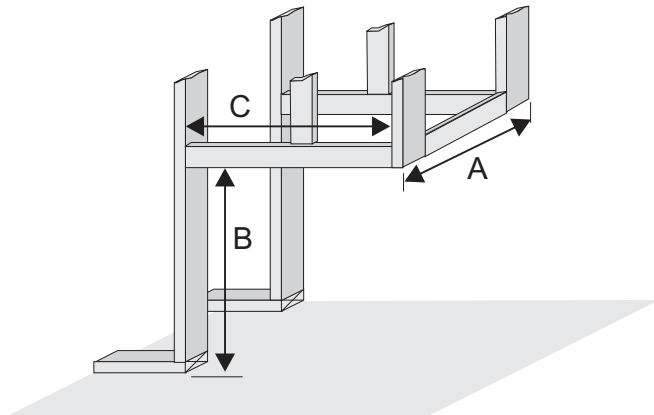
PG121-1 - See Thru



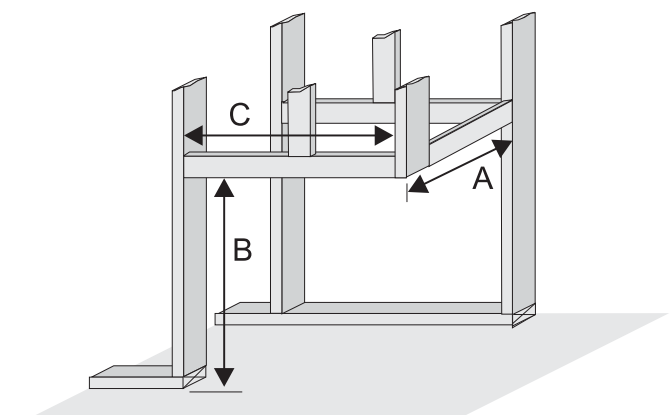
PG121LC-1 - Corner Unit



PG131-1 - Pier



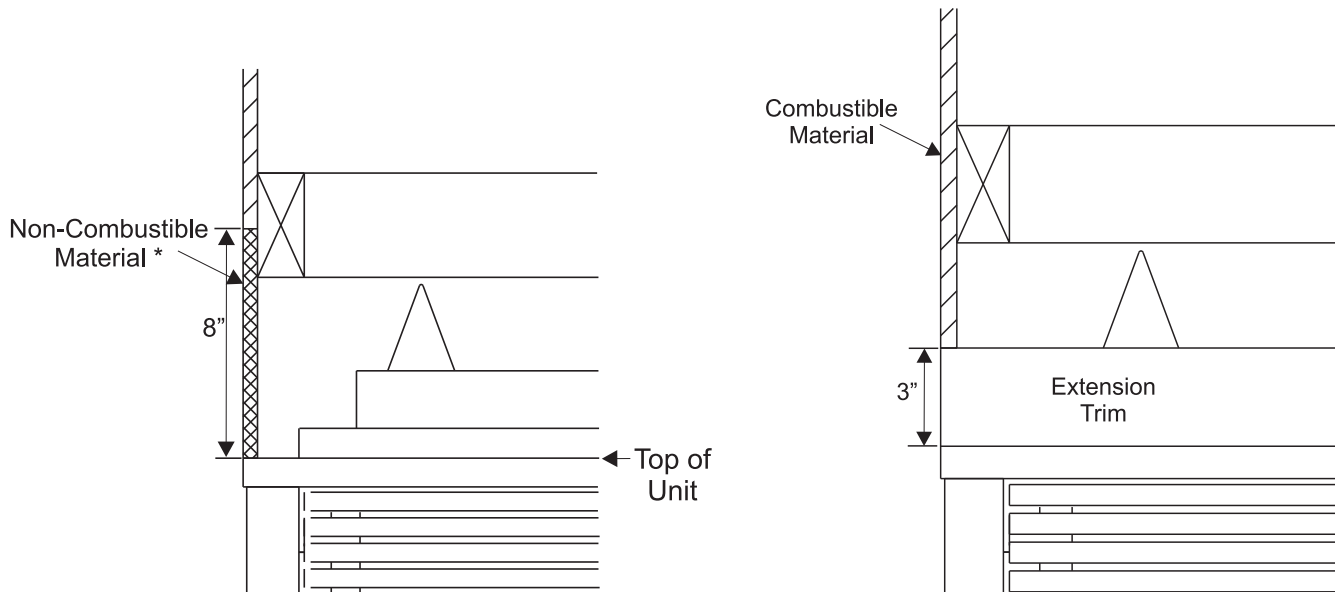
PG121RC-1 - Corner Unit



**Note:** These units are non-load bearing.

## FACING & FINISHING REQUIREMENTS

This fireplace is supplied with a 3" metal extension trim above the fireplace. The extension trim may be replaced if the framing is faced with a non-combustible material placed flush with the front and side face of the unit and extending from the top of the unit. (ie. tile, slate, etc.)



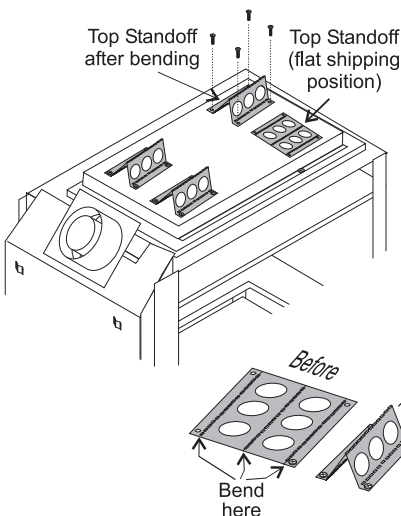
## UNIT ASSEMBLY PRIOR TO INSTALLATION

The 4 Top Standoffs must be correctly positioned and attached to the top before unit is slipped into position.

### Top Standoff Assembly

The top standoffs are shipped in a flat position and must be folded into shape and attached.

- 1) Remove the standoffs from the fireplace top.
- 2) Take each standoff and bend into the correct shape. Bend up at the bend lines until the screw holes in the standoff and the pre-punched screw holes on the fireplace top line up.
- 3) Attach the standoff securely to the top with 4 screws per standoff (on opposite corners).



## FLUEING INTRODUCTION

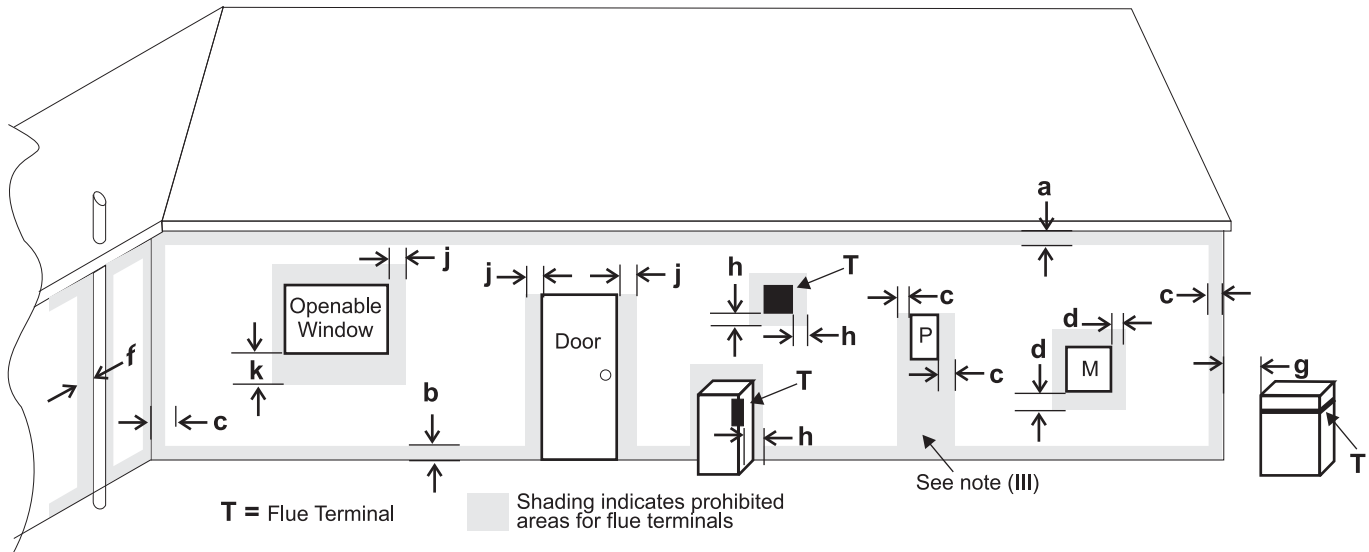
The PG121-1 / PG121LC-1 / PG121RC-1 / PG131-1 uses the "balanced flue" technology CoAxial system. The inner liner flue products of combustion to the outside while the outer liner draws outside combustion air into the combustion chamber thereby eliminating the need to use heated room air for combustion and losing warm room air up the chimney.

**Note:** *These flue pipes must not be connected to any other appliance.*

The gas appliance and flue system must be flueed directly to the outside of the building, and never be attached to a chimney serving a separate solid fuel or gas burning appliance. Each direct flue gas appliance must use its own separate flue system. Common flue systems are prohibited.

# INSTALLATION

## EXTERIOR FLUE TERMINATION LOCATIONS



**Minimum clearances required for balanced flue terminals or the flue terminals of outdoor appliances according to AS5601-2004 (AGA gas installation code) or NZS 5261 (New Zealand)**

	Minimum Clearance (mm)
a Below eaves, balconies or other projections:	
- Appliances up to 50 MJ/h input	300
- Appliances over 50 MJ/h input	500
b From the ground or above a balcony	300
c From a return wall or external corner	500
d From a gas meter (M)	1000
e From an electricity meter or fuse box (P)	500
f From a drain or soil pipe	150
g Horizontal from any building structure (unless appliance is approved for closer installation) or obstruction facing a terminal	500
h From any other flue terminal, cowl or combustion air intake	500
j Horizontally from an openable window, door, or non-mechanical air inlet, or any other opening into a building, with the exception of sub-floor ventilation (see also Note (I)):	
- Appliances up to 150 MJ/h input	500
- Appliances over 150 MJ/h input	1500
k Vertically below an openable window, door, or non-mechanical air inlet, or any other opening into a building, with the exception of sub-floor ventilation (see also Note (I)): see table below	

Clearance 'k' in mm			
Space Heaters	All Other Appliances		
Up to 50 MJ/h input	Up to 50 MJ/h input	Over 50 MJ/h input to 150 MJ/h input	Over 150 MJ/h input
150	500	1000	1500

**NOTES:**

- (I) For mechanical air inlets, including spa blowers, the clearance 'j' and 'k' shall be 1500 mm in all cases.
- (II) All distances shall be measured vertically or horizontally along the wall to a point in line with the nearest part of the terminal.
- (III) Prohibited area below electricity meter or fuse box extends to ground level.
- (IV) A flue terminal of this type shall not be located under a roofed area unless the roofed area is fully open on at least two sides and a free flow of air at the appliance is achieved.

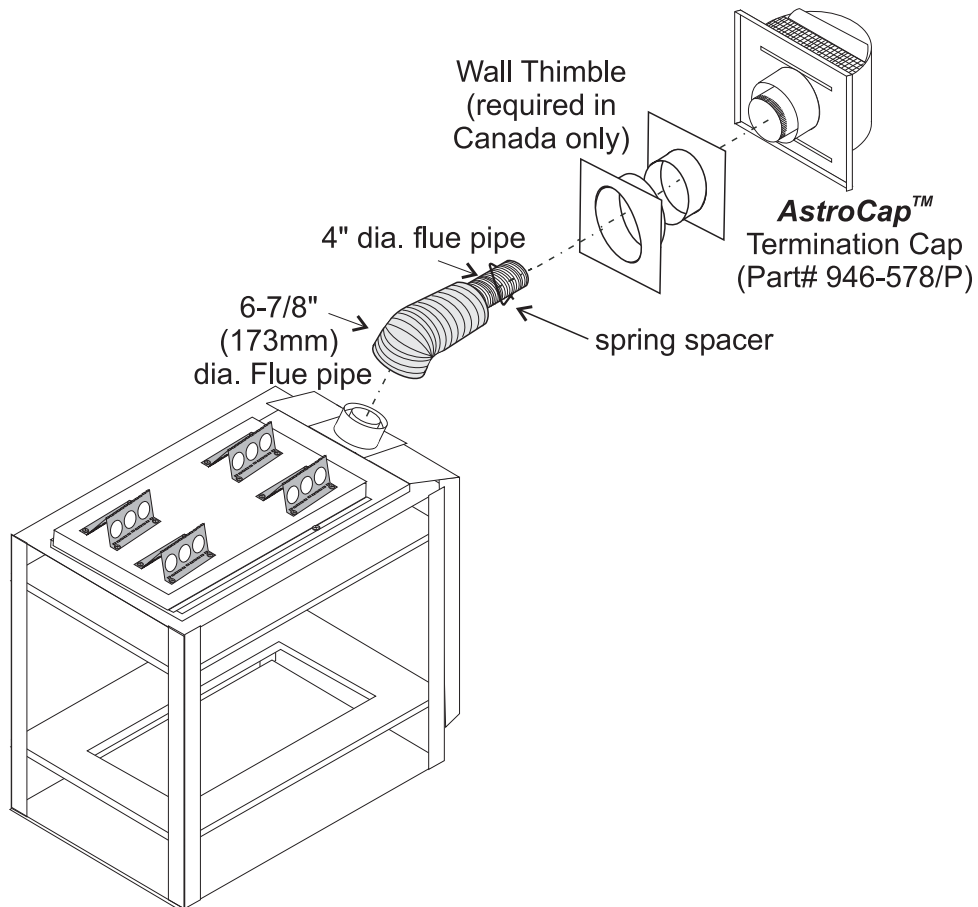
## FLUEING ARRANGEMENT - HORIZONTAL TERMINATIONS

### *Regency Direct Vent System (Flex) Horizontal Terminations Only*

These flueing systems, in combination with the PG121-1 / PG121LC-1 / PG121RC-1 / PG131-1 Direct Vent Gas Fireplace, have been tested and listed as a direct flue heater system by Warnock Hersey. The location of the termination cap must conform to the requirements in the Flue Terminal Locations diagram.

**Regency Direct Vent (Flex) System Termination Kit (Part# 946-513)** includes all the parts needed to install the PG121-1 / PG121LC-1 / PG121RC-1 / PG131-1 with a maximum run of 2 feet.

- 1) 6-7/8" dia. flexible liner (2 ft. length)
- 2) 4" dia. flexible liner (2 ft. length)
- 3) spring spacers (3)
- 4) thimble (2)
- 5) **AstroCap** termination cap (1)
- 6) screws (12)
- 7) tube of Mill Pac (1)
- 8) plated screws (8)
- 9) screws #8 x 1-1/2" drill point, stainless steel (4)



#### Notes:

- 1) Liner sections should be continuous without any joints or seams.
- 2) Only Flex pipe purchased from Regency may be used for Flex installations.
- 3) Regency Direct Vent System (Flex) is only approved for horizontal terminations.

# INSTALLATION

## SIMPSON DURA-VENT FLUEING *Horizontal or Vertical Terminations*

The Simpson Dura-Vent Direct Vent System offers a complete line of component parts for installation of both horizontal and vertical installations. Many items are offered in decorative black, as well as galvanized finish. We recommend using the galvanized finish for installation with the PG121-1 / PG121LC-1 / PG121RC-1 / PG131-1.

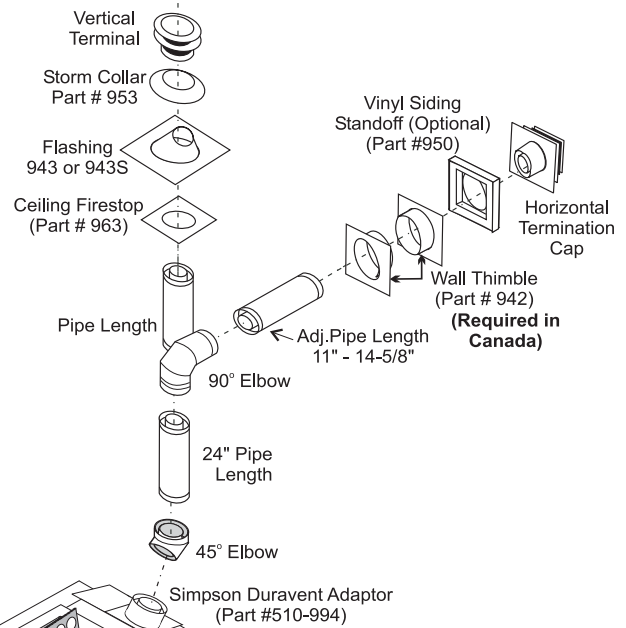
The minimum components required for a basic horizontal termination are:

- 1 Simpson Duravent Adaptor
- 1 Horizontal Termination Cap
- 1 45° Elbow
- 1 Flue Adaptor
- 1 Wall Thimble
- 1 Length of pipe to suit wall thickness (see chart)

Wall thickness is measured from the back standoffs to the inside mounting surface of termination cap. For siding other than

vinyl furring strips may be used, instead of the vinyl siding standoff, to create a level surface to mount the vent terminal. The Terminal must not be recessed into siding. Measure the wall thickness including furring strips.

If a Vinyl Siding Standoff is required (it must be used with vinyl siding), measure to outside surface of wall without siding and add 2 inches.

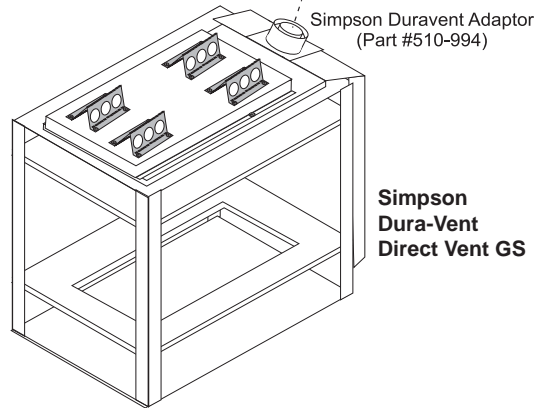


Flat Wall Installation	
Wall Thickness (mm)	Vent Length Required (mm)
102 - 140	152
178 - 216	229
254 - 292	305
229 - 368	279 - 356 Adj. Pipe
381 - 597	432 - 610 Adj. Pipe

The Regency AstroCap™ is certified for installations using FPI venting systems as well as Simpson Dura-Vent® and Direct Vent GS.

Regency™, and Regency AstroCap™ are the proprietary trademarks of FPI Fireplace Products International Ltd.

Dura-Vent® and Direct Vent GS are registered and/or proprietary trademarks of Simpson Dura-Vent Co. Inc.



## SIMPSON DURA-VENT FLUEING COMPONENTS LIST

All Simpson Dura-Vent components are available directly from Regency.

Part #	Description	Part #	Description	Part #	Description
971	Horiz. Termination Kit includes: 90° black elbow, wall thimble cover, horiz. square termination cap, 24" black pipe, and 11" -14" 5/8" adjustable black pipe	90248"	Pipe Length - Galv.	940	Wall Thimble - Support/Box
970	Basic Horiz. Termination. Kit includes: 90° black elbow, wall thimble cover, horiz. square termination cap	902B	48" Pipe Length - Black	941	Cathedral/Ceiling - Support/Box
978	Vert. Termination Kit includes 0/12 - 6/12 pitch adjustable flashing, storm collar, low profile term. cap	911B	11"-14 5/8" Adjustable Pipe Length - Black	3951	Brass Trim for Wall Thimble/Ceiling Sup.
908B	6" Pipe Length - Black	917B	17"- 24" Adjustable Length - Black	963	Firestop Spacer
907B	9" Pipe Length - Black	94545°	Elbow - Galv.	943	Flashing 0/12-6/12
90612"	Pipe Length - Galv.	945B	45° Elbow - Black	943S	Flashing 7/12-12/12
906B	12" Pipe Length - Black	945G	45° Elbow - Swivel - Galv.	953	Storm Collar
90424"	Pipe Length - Galv.	945BG	45° Elbow - Swivel - Black	950	Vinyl Siding Standoff
904B	24" Pipe Length - Black	99090°	Elbow - Galv.	988	Wall Strap
90336"	Pipe Length - Galv.	990B	90° Elbow - Black	942	Wall Thimble
903B	36" Pipe Length - Black	990G	90° Elbow - Swivel - Galv.	<b>Parts not supplied by Dura-Vent</b>	
		990BG	90° Elbow - Swivel - Black	946-506/P	Vent Guard (Optional)
		991	High Wind Termination Cap (Vertical)	510-994	Dura-Vent Flue Adaptor
		980	Vertical Termination Cap	640-530/P	Riser Vent Terminal
		984	Horizontal Square Termination Cap	946-205	Vinyl Siding Shield for Riser Vent Terminal
		985	Horiz. Square High Wind Termination Cap	946-206	AstroCap Standoff
		982	Snorkel - 14" Rise Termination Cap		
		981	Snorkel - 36" Rise Termination Cap		

## FLUEING ARRANGEMENTS - HORIZONTAL TERMINATIONS SIMPSON DURA-VENT DIRECT VENT GS SYSTEM

The diagram below shows examples of horizontal termination arrangements using one, two, or three 90° elbows (two 45° elbows equal one 90° elbow).

**Note:**

- 1) A maximum of three 90° elbows are permitted.
- 2) Minimum distance between elbows is 1 ft. (305mm).

- Maintain clearances to combustibles.
- Horizontal flue must be supported every 3 feet.
- Firestops are required at each floor level and whenever passing through a wall.
- Must use optional flue adapter (Part# 510-994) when using Simpson Dura-Vent pipe.
- A vent guard should be used whenever the termination is lower than the specified minimum or as per local codes.

**Simpson Dura-Vent**  
4" inner diameter  
6-5/8" outer diameter

### Straight Out Horizontal Flueing

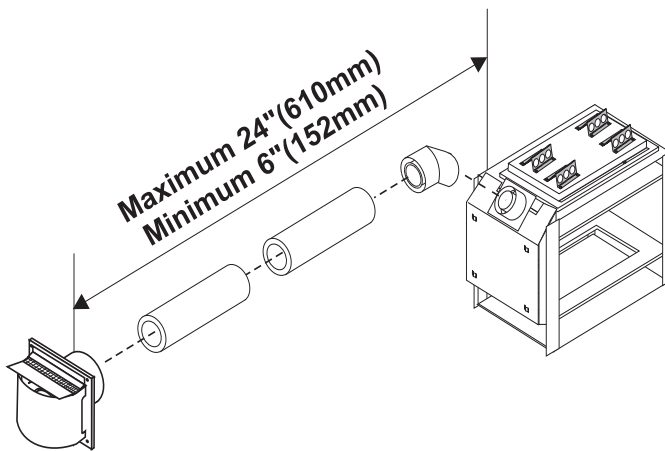
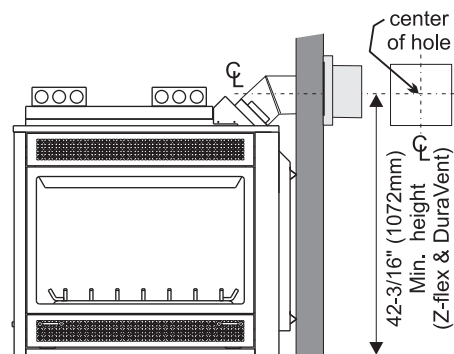


Diagram 1



**Please note the minimum centerline for basic install shown above.**

### Horizontal Flueing with One (1) 90° Elbow

Option	V	H
A)	1' (305mm) Minimum	3' (914mm) Maximum
B)	2' (610mm) Minimum	6' (1.86m) Maximum
C)	3' (914mm) Minimum	9' (2.7m) Maximum
D)	4' (1.22m) Minimum	12' (3.6m) Maximum
E)	5' (1.5m) Minimum	15' (4.5m) Maximum
F)	6' (1.86m) Minimum	17' (5.1m) Maximum

With the above options, maximum total pipe length is 37 feet with minimum of 6 feet total vertical and maximum 17 feet total horizontal.  
**Please note minimum 1 foot between 90° elbows is required.**

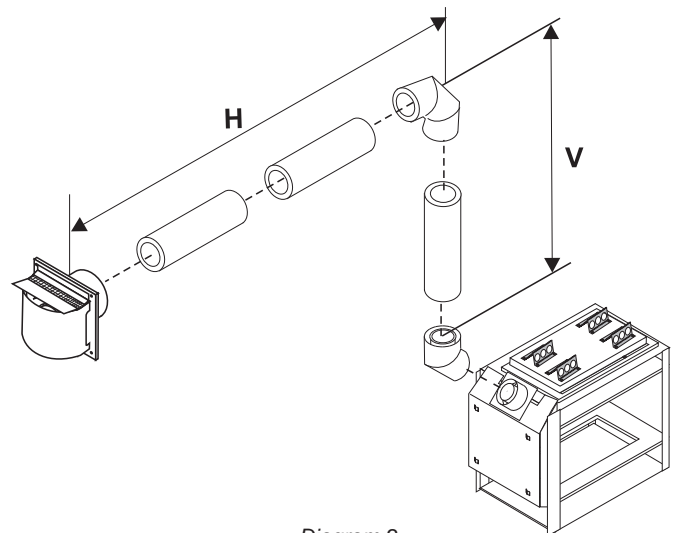


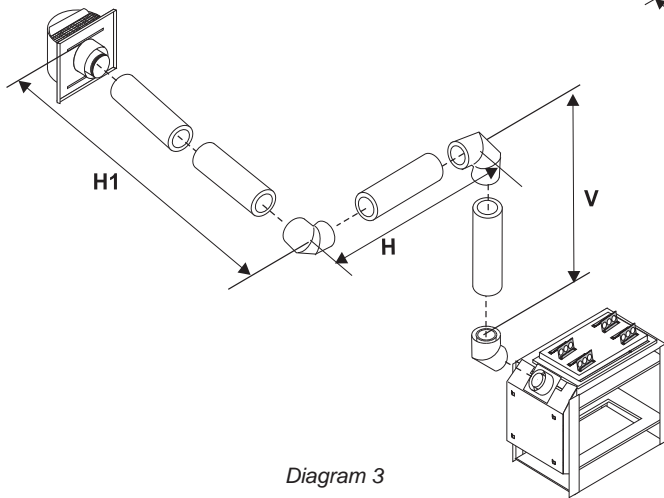
Diagram 2

# INSTALLATION

## Horizontal Flueing with Two (2) 90° Elbows

Option	V	H + H1
A)	1' (305mm) Minimum	2' (610mm) Maximum
B)	2' (610mm) Minimum	5' (1.5m) Maximum
C)	3' (914mm) Minimum	8' (2.4m) Maximum
D)	4' (1.22m) Minimum	11' (3.35m) Maximum
E)	5' (1.5m) Minimum	14' (4.27m) Maximum
F)	6' (1.86m) Minimum	15' (4.5m) Maximum

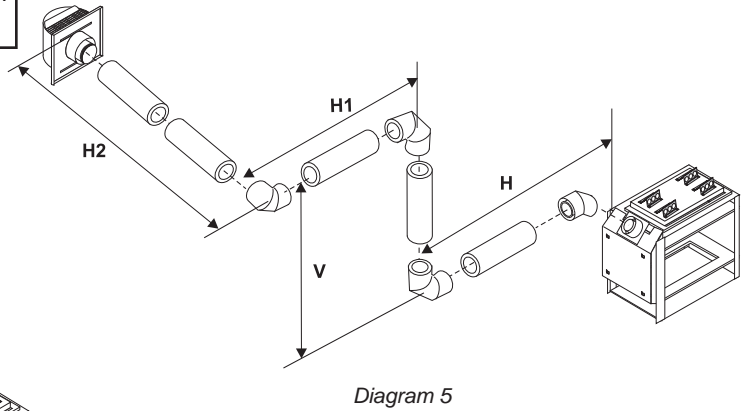
With the above options, maximum total pipe length is 37 feet with minimum of 6 feet total vertical and maximum 15 feet total horizontal.  
**Please note minimum 1 foot between 90° elbows is required.**



## Horizontal Flueing with Three (3) 90° Elbows

Option	V	H	H + H1 + H2
A)	2' (610mm) Min.	1' (305mm) Max.	3' (914mm) Max.
B)	3' (914mm) Min.	3' (914mm) Max.	6' (1.86m) Max.
C)	4' (1.22m) Min.	5' (1.5m) Max.	9' (2.7m) Max.
D)	5' (1.5m) Min.	7' (2.13m) Max.	12' (3.6m) Max.

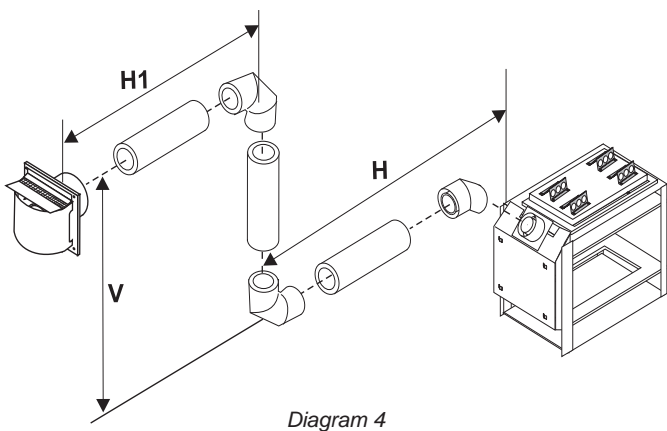
With the above options, maximum total pipe length is 37 feet with minimum of 5 feet total vertical and maximum 12 feet total horizontal.  
**Please note minimum 1 foot between 90° elbows is required.**



## Horizontal Flueing with Two (2) 90° Elbows

Option	V	H	H + H1
A)	1' (305mm) Min.	1' (305mm) Max.	3' (914mm) Max.
B)	2' (610mm) Min.	3' (0.91m) Max.	6' (1.86m) Max.
C)	3' (914mm) Min.	5' (1.5m) Max.	9' (2.7m) Max.
D)	5' (1.5m) Min.	8' (2.4m) Max.	12' (3.6m) Max.

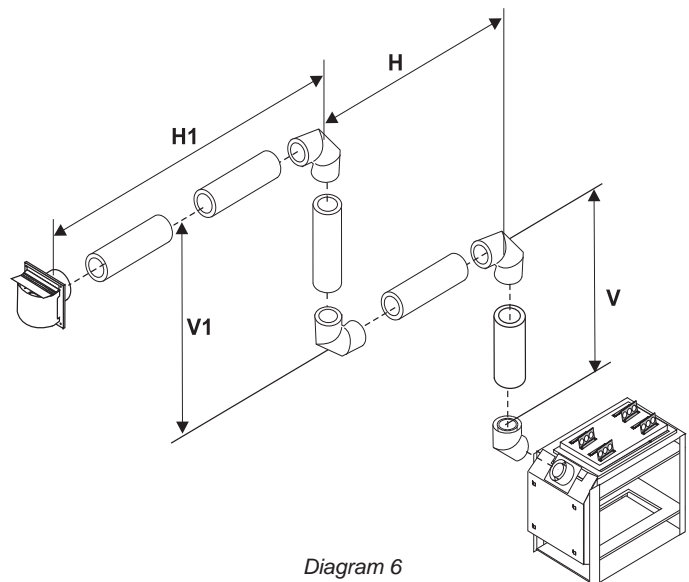
With the above options, maximum total pipe length is 37 feet with minimum of 5 feet total vertical and maximum 12 feet total horizontal.  
**Please note minimum 1 foot between 90° elbows is required.**



## Horizontal Flueing with Three (3) 90° Elbows

Option	V + V1	H + H1
A)	2' (610mm) Minimum	3' (914mm) Maximum
B)	3' (914mm) Minimum	6' (1.86m) Maximum
C)	4' (1.22m) Minimum	9' (2.7m) Maximum
D)	5' (1.5m) Minimum	12' (3.6m) Maximum

With the above options, maximum total pipe length is 37 feet with minimum of 5 feet total vertical and maximum 12 feet total horizontal.  
**Please note minimum 1 foot between 90° elbows is required.**





## FLUEING ARRANGEMENTS - VERTICAL TERMINATIONS SIMPSON DURA-VENT DIRECT VENT GS SYSTEM

- Flue must be supported at offsets
- Maintain clearances to combustibles.
- Firestops are required at each floor level and whenever passing through a wall.
- Must use optional flue adapter when using Simpson Dura-Vent pipe (Part# 510-994).

The PG121-1 / PG121LC-1 / PG121RC-1 / PG131-1 is approved for a maximum 35 ft. (10.7m) straight vertical, with Simpson Dura-Vent Direct Vent GS flue systems for LPG and NG.

### Straight Up Vertical Flueing

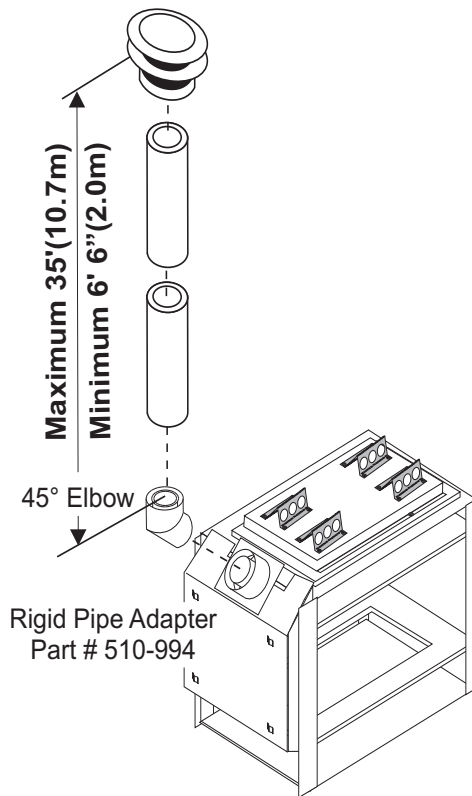


Diagram 7

### Vertical Flueing with One (1) 90° Elbow

Option	V	H
A)	1' (305mm) Minimum	2' (610mm) Maximum
B)	2' (610mm) Minimum	4' (1.22m) Maximum
C)	3' (914mm) Minimum	6' (1.86m) Maximum
D)	4' (1.22m) Minimum	8' (2.4m) Maximum

With the above options, maximum total pipe length is 37 feet with minimum of 4 feet total vertical and maximum 8 feet total horizontal.  
**Please note minimum 1 foot between 90° elbows is required.**

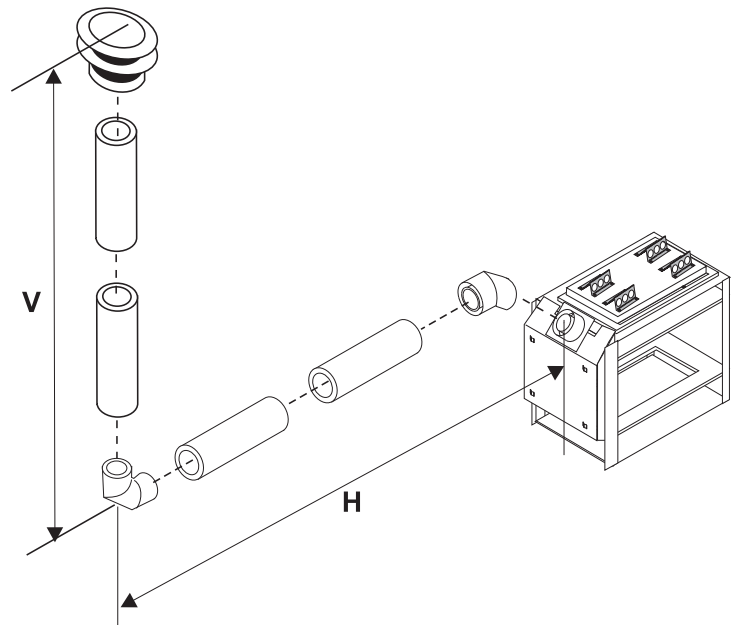


Diagram 8

# INSTALLATION

## Vertical Flueing with Two (2) 90° Elbows

Option	V	H
A)	1' (305mm) Minimum	4' (1.22m) Maximum
B)	2' (610mm) Minimum	6' (1.86m) Maximum
C)	3' (914mm) Minimum	9' (2.7m) Maximum
D)	4' (1.22m) Minimum	12' (3.6m) Maximum
E)	5' (1.5m) Minimum	15' (4.5m) Maximum
F)	6' (1.86m) Minimum	17' (5.1m) Maximum

With the above options, maximum total pipe length is 37 feet with minimum of 6 feet total vertical and maximum 17 feet total horizontal.  
**Please note minimum 1 foot between 90° elbows is required.**

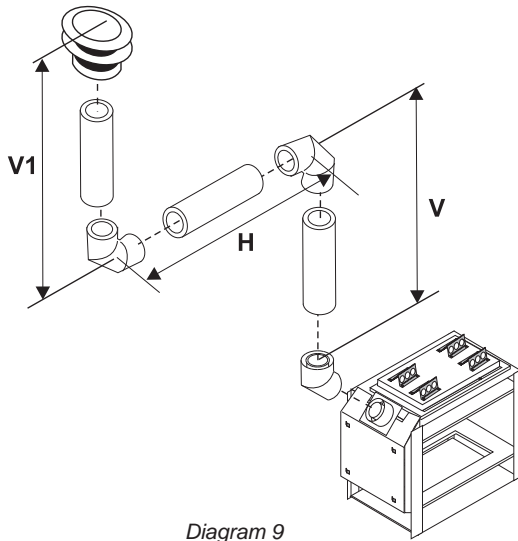


Diagram 9

## Vertical Flueing with Two (2) 90° Elbows

Option	V	H + H1
A)	1' (305mm) Minimum	2' (610mm) Maximum
B)	2' (610mm) Minimum	4' (1.22m) Maximum
C)	3' (914mm) Minimum	6' (1.86m) Maximum
D)	4' (1.22m) Minimum	8' (2.4m) Maximum

With the above options, maximum total pipe length is 37 feet with minimum of 4 feet total vertical and maximum 8 feet total horizontal.  
**Please note minimum 1 foot between 90° elbows is required.**

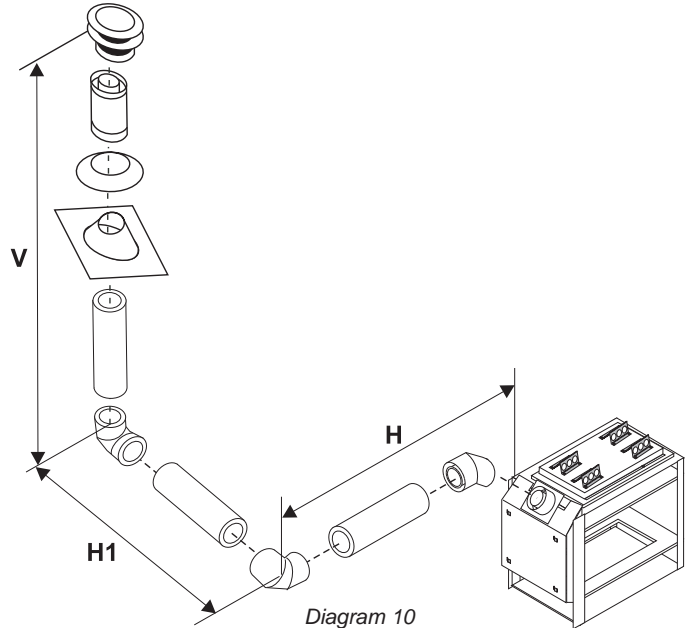


Diagram 10

## Vertical Flueing with Three (3) 90° Elbows

Option	V + V1	H	H + H1
A)	2' (610mm) Min.	1' (305mm) Max.	2' (610mm) Max.
B)	3' (914mm) Min.	4' (1.22m) Max.	5' (1.5m) Max.
C)	4' (1.22m) Min.	6' (1.86m) Max.	8' (2.4m) Max.
D)	5' (1.5m) Min.	8' (2.4m) Max.	12' (3.6m) Max.

With the above options, maximum total pipe length is 37 feet with minimum of 5 feet total vertical and maximum 12 feet total horizontal.  
**Please note minimum 1 foot between 90° elbows is required.**

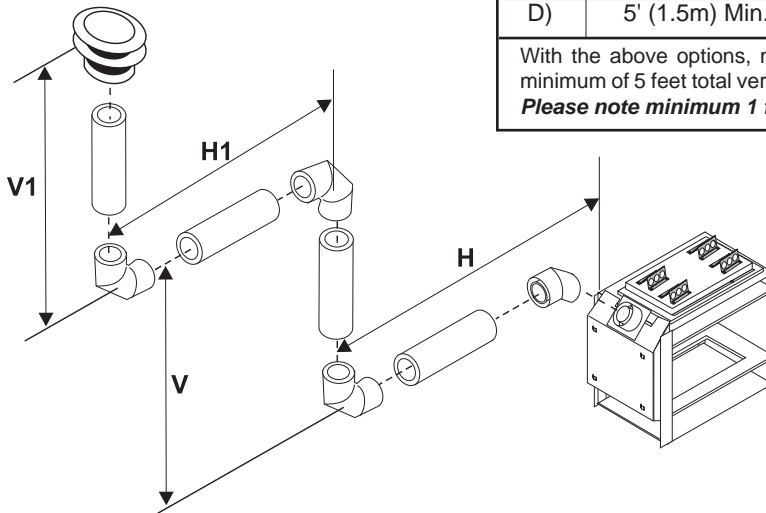


Diagram 11

## Vertical Flueing with Three (3) 90° Elbows

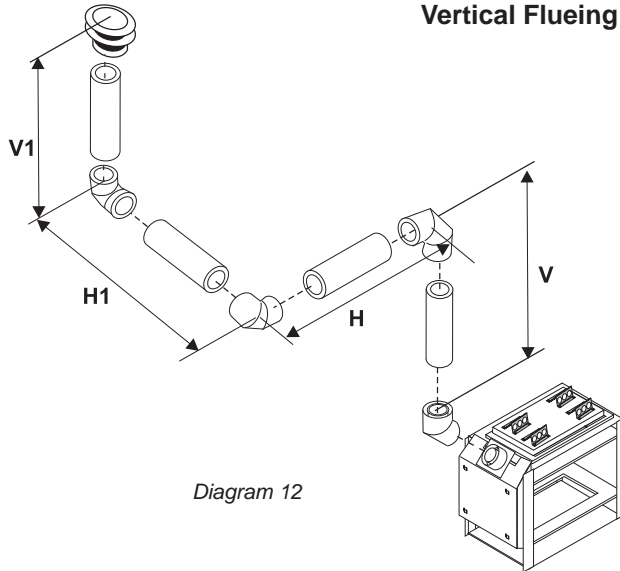


Diagram 12

Option	V + V1	H + H1
A)	2' (610mm) Minimum	3' (914mm) Maximum
B)	3' (914mm) Minimum	6' (1.86m) Maximum
C)	4' (1.22m) Minimum	9' (2.7m) Maximum
D)	5' (1.5m) Minimum	12' (3.6m) Maximum

With the above options, maximum total pipe length is 37 feet with minimum of 5 feet total vertical and maximum 12 feet total horizontal.  
**Please note minimum 1 foot between 90° elbows is required.**

## HORIZONTAL INSTALLATIONS

Install the flue system according to the manufacturer's instructions included with the components.

- 1) Set the unit in its desired location. Check to determine if wall studs or roof rafters are in the way when the flueing system is attached. If this is the case, you may want to adjust the location of the unit. Rough in the gas.
- 2) Direct Flue pipe and fittings are designed with special twist-lock connections to connect the flueing system to the appliance flue outlet. A twist-lock appliance adaptor is an available option that must be used in conjunction with the Simpson Dura-Vent Direct Vent GS system.
- 3) Put a bead of silicone inside the outer section of the adapter and a bead of Mill Pac on the inner collar. Slip the adapter over the existing inner and outer flue collar and fasten to the outer collar only with the 3 supplied screws (drilling pilot holes will make this easier). Level the fireplace and fasten it to the framing using nails or screws through the nailing strips.
- 4) Assemble the desired combination of pipe and elbows to the appliance adaptor and twist-lock for a solid connection.

### Note:

- a) Twist-lock procedure: Four indentations, located on the female ends of pipes and fittings, are designed to slide straight onto the male ends of adjacent pipes and fittings, by orienting the four pipe indentations so they match and slide in to the four entry slots on the male ends, Diagram 1. Push the pipe sections completely together, then twist-lock

one section clockwise approximately one-quarter turn, until the two sections are fully locked. The female locking lugs will not be visible from the outside, on the Black Pipe or fittings. They may be located by examining the inside of the female ends.

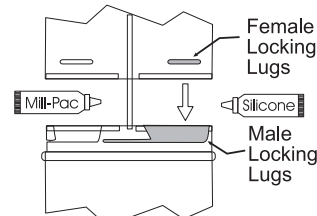


Diagram 1

**Note: Apply sealant "Mill-Pac" to inner pipe and high temperature silicone sealant to outer pipe on every twist-lock joint.**

- a) The horizontal run of flue must be level, or have a 1/4 inch rise for every 1 foot of run towards the termination. Never allow the flue to run downward. This
- b) Horizontal runs of flue must be supported every three feet. Wall straps are available for this purpose.
- 5) Mark the wall for a 10" x 10" square hole. The center of the square hole should line up with the centerline of the horizontal pipe. Cut and frame the 10 inch square hole in the exterior wall where the flue will be terminated. If the wall being penetrated is constructed of non-combustible material, i.e. masonry block or concrete, a 7" (178mm) dia. (7-1/2" (191mm) dia. for flex) hole is acceptable.

**Note: With Dura-Vent, the minimum height is achieved by installing a 45° elbow directly to the flue adaptor.**

### Note:

- a) The horizontal run of flue must be level, or have a 1/4 inch rise for every 1 foot of run towards the termination. Never allow the flue to run downward. This

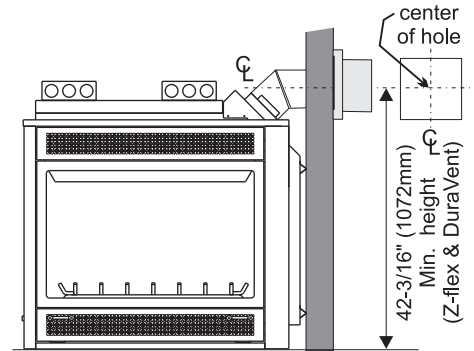


Diagram 2

could cause high temperatures and may present the possibility of a fire.

- b) The location of the horizontal flue termination on an exterior wall must meet all local and national building codes, and must not be blocked or obstructed. For External Flue Terminal Locations, see diagram on page 12.
- 6) **The arrow on the flue cap should be pointing up.** Insure that the 1-1/2" clearances to combustible materials are maintained (Diagram 3 on page 16). Install the termination cap.

The four wood screws provided should be replaced with appropriate fasteners for stucco, brick, concrete, or other types of sidings.

**Note: If installing termination on a siding covered wall, a vinyl siding standoff or furring strips must be used to ensure that the termination is not recessed into the siding.**

- 7) Before connecting the horizontal run of flue

# INSTALLATION

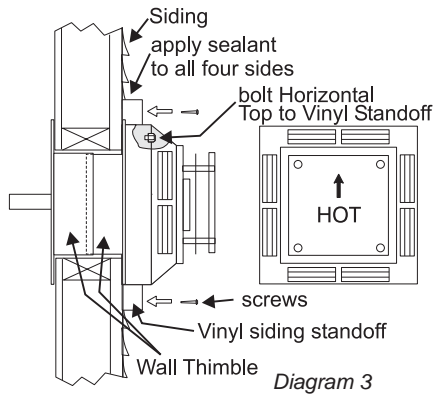


Diagram 3

pipe to the flue termination, slide the Wall Thimble (Part # 942) over the flue pipe.

- 8) Slide the appliance and flue assembly towards the wall carefully inserting the flue pipe into the flue cap assembly. It is important that the flue pipe extends into the flue cap sufficient distance so as to result in a minimum pipe overlap of 1-1/4 inches. Secure the connection between the flue pipe and the flue cap by attaching the two sheet metal strips extending from the flue cap assembly into the outer wall of the flue pipe. Use the two sheet metal screws provided to connect the strips to the pipe section. See Diagram 4.
- 9) Install wall thimble in the center of the 10" square and attach with wood screws (Diagram 5).

## VERTICAL

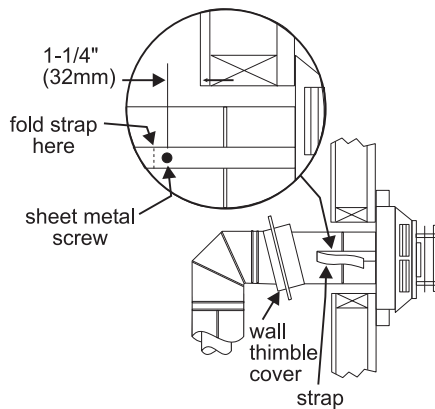


Diagram 4

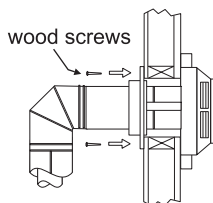


Diagram 5

## TERMINATION

- 1) Maintain the 1-1/4" clearances (air spaces) to combustibles when passing through ceilings, walls, roofs, enclosures, attic rafter, or other nearby combustible surfaces. Do not pack air spaces with insulation. Check pages 17-19 for the maximum vertical rise of the flueing system and the maximum horizontal offset limitations.
- 2) Set the gas appliance in its desired location. Drop a plumb bob down from the ceiling to the position of the appliance flue exit, and mark the location where the flue will penetrate the ceiling. Drill a small hole at this point. Next, drop a plumb bob from the roof to the hole previously drilled in the ceiling, and mark the spot where the flue will penetrate the roof. Determine if ceiling joists, roof rafters or other framing will obstruct the flueing system. You may wish to relocate the appliance or to offset, as shown in Diagram 2 to avoid cutting load bearing members.

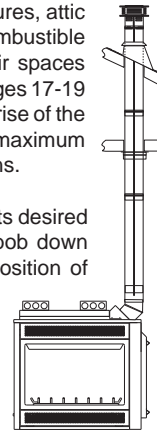


Diagram 1

- 3) A Firestop spacer must be installed in the floor or ceiling of every level. To install the Firestop spacer

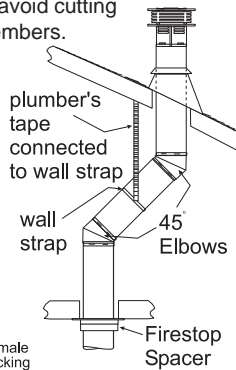
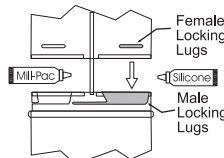


Diagram 2



**Note: Apply sealant "Mill-Pac" to inner pipe and high temperature silicone sealant to outer pipe on every twist-lock joint.**

in a flat ceiling or wall, cut a 10 inch square hole. Frame the hole as shown in Diagram 3 and install the firestop.

- 4) Assemble the desired lengths of pipe and elbows. Ensure that all pipes and elbow con-

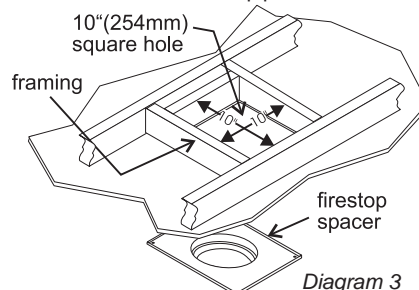


Diagram 3

nections are in the fully twist-locked position and sealed.

- 5) Cut a hole in the roof centered on the small drilled hole placed in the roof in Step 2. The hole should be of sufficient size to meet the minimum requirements for clearance to combustibles of 1-1/4". Slip the flashing under the shingles (shingles should overlap half the flashing) as per Diagram 4.
- 6) Continue to assemble pipe lengths.

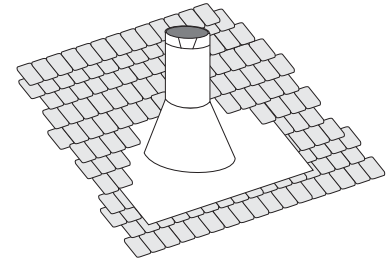


Diagram 4: The upper half of the flashing is installed under the roofing material and not nailed down until the chimney is installed. This allows for small adjustments.

**Note: If an offset is necessary in the attic to avoid obstructions, it is important to support the flue pipe every 3 feet, to avoid excessive stress on the elbows, and possible separation. Wall straps are available for this purpose (Diagram 2).**

Galvanized pipe is desirable above the roofline due to its higher corrosion resistance. Continue to add pipe sections through the flashing until the height of the flue cap meets the minimum height requirements specified in Diagram 5 or local codes. Note that for steep roof pitches, the vertical height must be increased. A poor draft, or down drafting

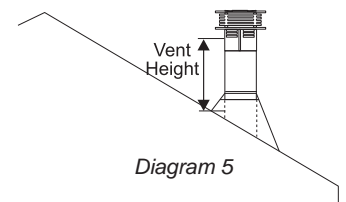


Diagram 5

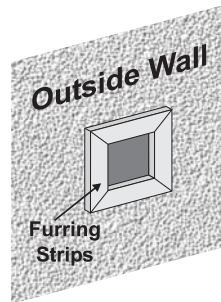
Roof Pitch	Minimum Vent Height	
	Feet	Meters
flat to 7/12	2	0.61
over 7/12 to 8/12	2	0.61
over 8/12 to 9/12	2	0.61
over 9/12 to 10/12	2.5	0.76
over 10/12 to 11/12	3.25	0.99
over 11/12 to 12/12	4	1.22
over 12/12 to 14/12	5	1.52
over 14/12 to 16/12	6	1.83
over 16/12 to 18/12	7	2.13
over 18/12 to 20/12	7.5	2.29
over 20/12 to 21/12	8	2.44

can result from high wind conditions near big trees or adjoining roof lines, in these cases, increasing the flue height may solve the problem.

- 7) Ensure flue is vertical and secure the base of the flashing to the roof with roofing nails, slide storm collar over the pipe section and seal with a mastic.
- 8) Install the vertical termination cap by twist-locking it.

**Note:** Any closets or storage spaces, which the flue passes through must be enclosed.

**Note:** To make the installation more aesthetically pleasing, we recommend framing out a square to mount the terminal to.



- 2) Level the fireplace and fasten it to the framing using nails or screws through the nailing strips.
- 3) Assemble the flue assembly by applying Mill Pac to the 4" (100mm) inner collar of the termination and slipping the 4" (100mm) liner over it at least 1-3/8" (35mm). Fasten with the 3 screws (drilling pilot holes will make this easier). Apply Mill Pac or high temperature silicone to the 6-7/8" (175mm) flex pipe and slip it over the 6-7/8" outer collar of the flue terminal at least 1-3/8" (35mm) and fasten with the 3 screws.

**NOTE:** Horizontal sections must be supported at intervals not exceeding 3 feet (0.9 meter). (Flame picture and performance will be affected by sags in the liner).

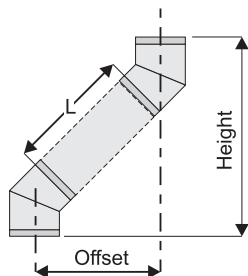
- 4) Separate the 2 halves of the wall thimble and securely fasten the one with the tabs to the outside wall making sure that the tabs are on top and bottom. Fasten the other thimble half to the inside wall. The thimble halves slip inside each other and can be adjusted for 2 x 4 or 2 x 6 walls. **The liners must slip over the collars a minimum of 1-3/8".**

- 5) Slip the assembled liner and termination assembly through the thimble making sure the termination cap faces up (there are markings on the cap that show which way is up). This will position the termination cap with proper down slope for draining water. Fasten the cap to the outer wall with the 4 supplied screws.
- 6) Pull the centre 4" (100mm) liner and outer 6-7/8" (175mm) liner out enough to slip over the flue collars of the fireplace. (You may wish to cut the liner shorter to make it more workable.) Do not bend liner more than 45°.
- 7) Apply Mill Pac over the fireplace inner collar and slip the 4" (100mm) liner down over it and attach with 3 supplied screws.
- 8) Do the same with the 6-7/8" (175mm) liner.
- 9) Apply a bead of silicone between the thimble and termination and around the outer edge of the terminal at the wall in order to keep the water out.

**IMPORTANT:** Do not locate termination hood where excessive snow or ice buildup may occur. Be sure to check flue termination area after snow falls, and clear to prevent accidental blockage of flueing system. When using snow blowers, make sure snow is not directed towards flue termination area.

## Offset Chart

GS 6" (152mm) Nominal Diameter ID					
Offset		Pipe Length (L)		Height	
inches	mm	inches	mm	inches	mm
4 3/4	121	0	0	13 1/4	337
9	229	6	152	17 1/2	445
11 1/4	286	9	229	19 1/2	495
13 1/4	337	12	305	21 3/4	552
21 3/4	552	24	610	30 1/4	768
30 1/4	768	36	914	39	991
38	965	48	1219	47	1194



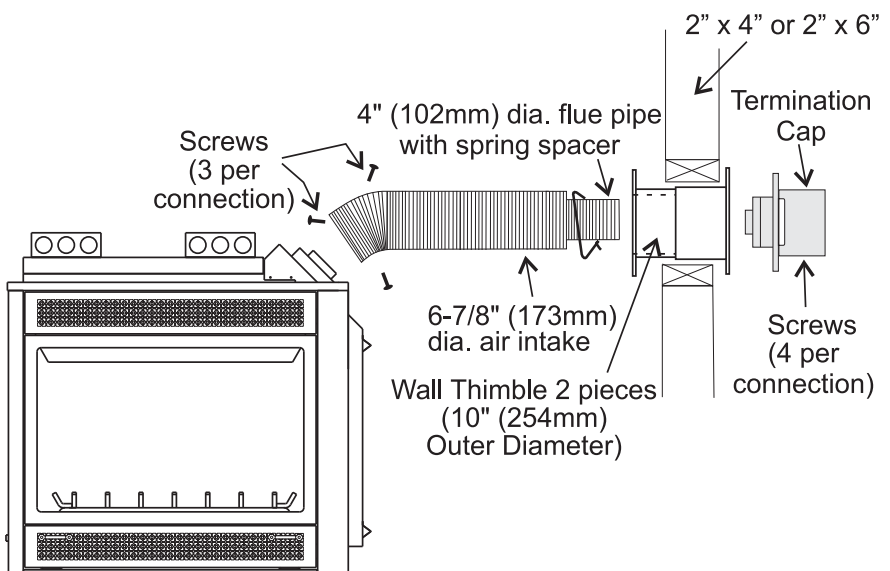
## INSTALLATION PROCEDURES

### for Regency AstroCap™ Direct Flue System (Flex)

- 1) Locate the unit in the framing, rough in the gas. Locate the centerline of the termination and mark wall accordingly. Cut a 10" (254mm) hole in the wall (inside dimension).

**Note:** A 1-1/2" (38mm) clearance around the liner must be maintained except that only a 1" (25mm) clearance is needed at the termination end. We recommend framing a 10" (254mm) x 10" (254mm) (inside dimensions) hole to give structural rigidity for mounting the termination.

**Note:** If installing termination on a siding covered wall, furring strips must be used to ensure that the termination is not recessed into the siding.



# INSTALLATION

## Conversion Kit# 360-968 from NG to LPG

**THIS CONVERSION MUST BE DONE BY A QUALIFIED GAS FITTER IF IN DOUBT DO NOT DO THIS CONVERSION !!**

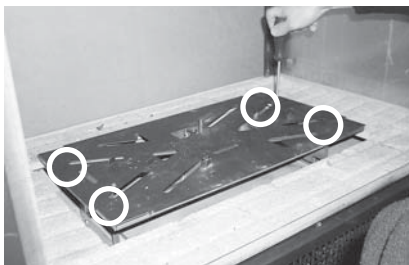
### Conversion Kit contains:

Qty.	Part #	Description
1	904-529	5/32" Allen Key
1	904-641	Burner Orifice #50
1	918-590	"Converted to LPG" label
1	908-528	Red "LPG" label
1	910-037	#30 ULPG Pilot Orifice
1	918-578	Instruction Sheet

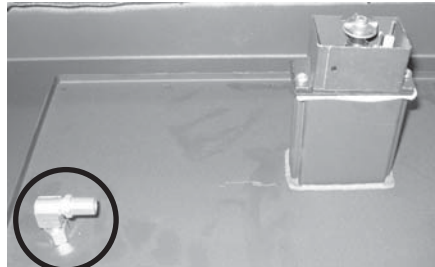
- 1) Shut off the gas supply and unplug the power cord.
- 2) Remove louvers and trim.
- 3) Carefully remove the glass, logs and lava rock.
- 4) Remove the grate by lifting straight up. Remove the side brick panels (if installed). The **brick panel is very fragile - handle with care.**



- 5) Remove the burner assembly by removing the 4 Phillips head screws and then slide the burner assembly away from the orifice and lift out.



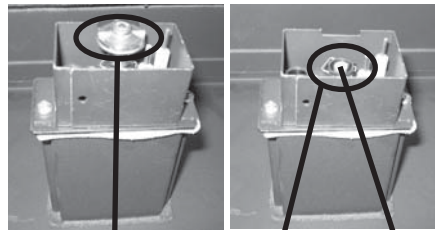
- 6) Remove burner orifice with a 1/2" spanner and discard. Use another spanner to hold on to the elbow behind the orifice.



Burner Orifice

- 7) Reinstall new burner orifice LPG stamped #50 and tighten.

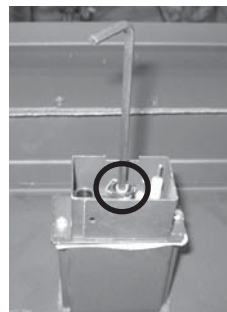
- 8) Pull out the pilot hood by hand.



Pilot Hood

Pilot Hood Removed  
Pilot Orifice

- 9) Remove the pilot orifice with the allen key.

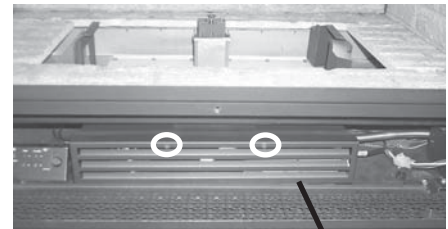


- 10) Put in the new LPG orifice with the allen key. Then put back the pilot hood.



- 11) Check the aeration (10mm open) for the LPG burner and install the burner, grate and logs.

- 12) Remove the front cover by undoing the 2 screws.



Front Cover

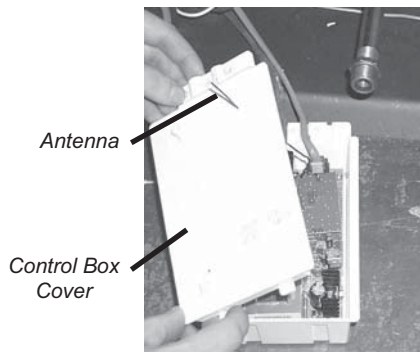
- 13) Stick the conversion label "This unit has been converted to LPG" over top of the serial number decal.

- 14) Replace the yellow "NG" label with the red "LPG" label.

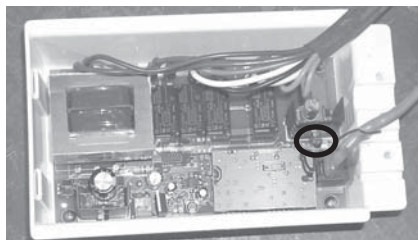
- 15) Carefully pull out the control box from underneath the firebox.

**Note:** The control box is held in place with velcro.

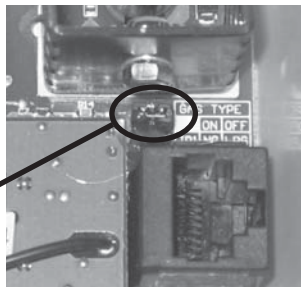
- 16) Remove the control box cover by undoing the 3 screws. Maneuver through antenna.



- 17) Remove the jumper using pliers.



Jumper Location



- 18) Stick the conversion label "This unit has been converted to LPG" on the control box cover.

- 19) Reverse steps 16 and 15.

- 20) Turn on gas supply and plug in power cord.

## 21) Adjusting the Outlet Pressure

All the adjustments must be carried out in the following order:

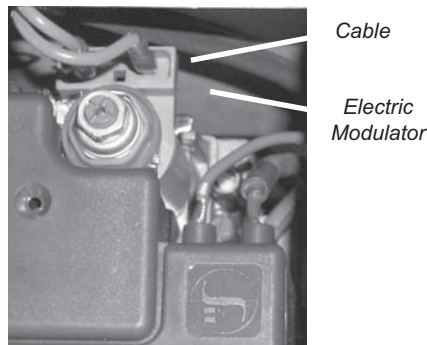
Remove the modulator plastic cap (A) using needle nose pliers.

**Maximum pressure:** Turn the unit ON to its highest input rating. Screw in the nut (B) to increase the outlet pressure and screw it out to decrease it. Use a 10 mm wrench.

**NOTE:** The outlet pressure must be set to maximum 2.65 kPa.

**Minimum pressure:** Remove one of the cables connected to the electric modulator. Keeping the nut (B) blocked, screw in the screw (C) to increase the pressure and screw it out to decrease it. Use a screwdriver 6 x 1 blade.

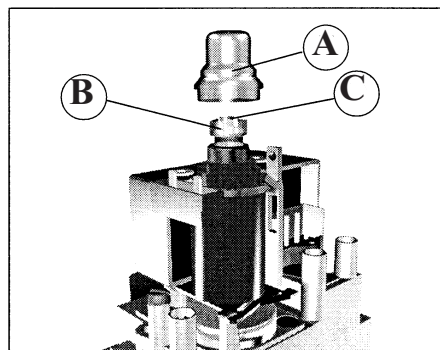
**NOTE:** The outlet pressure must be set to minimum 0.74 kPa.



After carrying out all adjustments, block the setting screws with paint, taking care not to obstruct the breather orifice of the pressure.

Put back the modulator plastic cap.

**WARNING:** To ensure the correct operation of the modulator it is necessary that the plastic cap (A) is returned to its original location.



- 22) At the end of all setting and adjustment operations, check electrical insulation and gas leaks.

- 23) Re-install the glass, louvers and trims.

- 24) Check operation of flame control.

- 25) Check for proper flame appearance and glow on logs.

**Installer Notice:**  
**These instructions must be left with the appliance.**

# INSTALLATION

## PG121/PG121LC/PG121RC/ PG131-NG1 System Data

For 0 to 4500 feet altitude  
**Burner Inlet Orifice Sizes:** #31  
**Pilot Orifice NG**

**Max. Input Rating** 41 mj.  
**Min. Input Rating** 22 mj.

**Supply Pressure** min. 1.13 kPa

**Manifold Pressure (High)** 1.00 kPa

**Log Set:** Ceramic fibre, 8 per set.  
**Flue System:** RegencyAstrocap™, Regency Direct Vent System (Flex) and Simpson Dura-Vent Direct Flue System

## PG121/PG121LC/PG121RC/ PG131-LPG1 System Data

For 0 to 4500 feet altitude  
**Burner Inlet Orifice Sizes:** #50  
**Pilot Orifice LPG**

**Max. Input Rating** 38 mj.  
**Min. Input Rating** 22 mj.

**Supply Pressure** min. 3.00 kPa

**Manifold Pressure (High)** 2.65 kPa

**Log Set:** Ceramic fibre, 8 per set.  
**Flue System:** RegencyAstrocap™, Regency Direct Vent System (Flex) and Simpson Dura-Vent Direct Flue System

## GAS LINE INSTALLATION

The gas line can be brought through either the right, the left side or the bottom of the appliance. The gas valve is situated on the bottom of the unit.

The gas line connection may be made of rigid pipe, copper pipe or an approved flex connector. (If you are using rigid pipe, ensure that the valve can be removed for servicing.) Since some municipalities have additional local codes it is always best to consult with your local authorities and AS5601-2004 (Australian Installation Code) NZS 5261 (New Zealand Installation Standard).

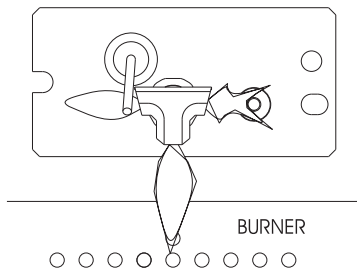
When using copper or flex connectors use only approved fittings. Always provide a union so that gas lines can be easily disconnected for servicing. Flare nuts for copper lines and flex connectors are usually considered to meet this requirement.

**Important: Always check for gas leaks with**

a soap and water solution or gas leak detector. Do not use open flame for leak testing.

Periodically check the pilot flames. Correct

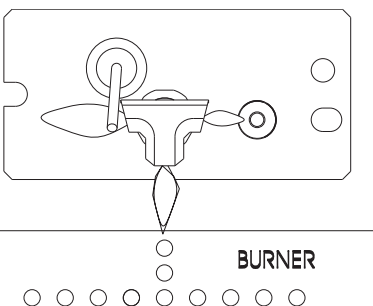
## PILOT ADJUSTMENT



flame pattern has three strong blue flames: 1 flowing around the thermopile, 1 around the thermocouple and 1 flowing across the burner (it does not have to be touching the burner).

**Note:** If you have an incorrect flame pattern, contact your Regency dealer for further instructions.

Incorrect flame pattern will have small, probably yellow flames, not coming into proper contact with the rear burner or thermopile or thermocouple.



## GAS PIPE PRESSURE TESTING

The appliance must be isolated from the gas supply piping system by closing its individual manual shut-off valve during any pressure testing of the gas supply piping system at test pressures equal to or less than 3.45 kPa. Disconnect piping from valve at pressures over 3.45 kPa.

The manifold pressure is controlled by a regulator built into the gas control, and should be checked at the pressure test point.

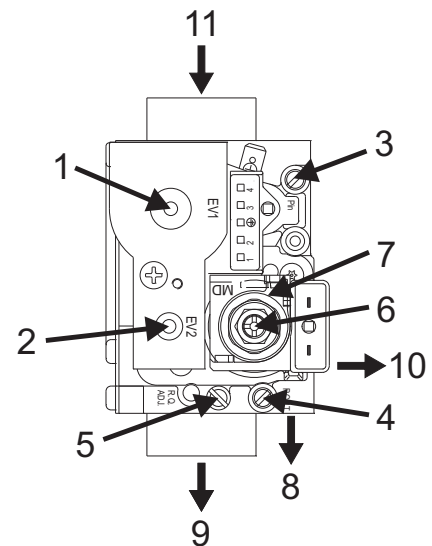
**Note:** To properly check gas pressure, both

inlet and manifold pressures should be checked using the valve pressure ports on the valve.

- 1) Make sure the valve is in the "OFF" position.
- 2) Loosen the "IN" and/or "OUT" pressure tap(s), turning counterclockwise with a 1/8" wide flat screwdriver.
- 3) Attach manometer to "IN" and/or "OUT" pressure tap(s) using a 5/16" ID hose.
- 4) Light the unit.
- 5) The pressure check should be carried out with the unit burning and the setting should be within the limits specified on the safety label.
- 6) When finished reading manometer, turn off the unit, disconnect the hose and tighten the screw (clockwise) with a 1/8" flat screwdriver. **Note: Screw should be snug, but do not over tighten.**

## SIT 845 VALVE DESCRIPTION

- 1) On-Off Solenoid Valve EV1
- 2) On-Off Solenoid Valve EV2
- 3) Inlet Pressure Test Point
- 4) Outlet Pressure Test Point
- 5) Connection for Pressure Regulator / Combustion Chamber Compensation
- 6) Pressure Regulator for Minimum and Maximum Outlet Pressure
- 7) Gas Outlet Pressure Electric Modulator
- 8) Pilot Outlet
- 9) Main Gas Outlet
- 10) Side Outlet
- 11) Main Gas Inlet





## LOG SET INSTALLATION

Read the instructions below carefully and refer to the diagrams. If logs are broken do not use the unit until they are replaced. Broken logs can interfere with the pilot operation.

Log Kit # 360-930 contains the following pieces:

- a) 326 Front Right Log
- b) 327 Front Left Log
- c) 328 Middle Right Log
- d) 329 Middle Left Log
- e) Embers (902-154)
- f) Platinum Embers (946-669) - supplied with packaged manual

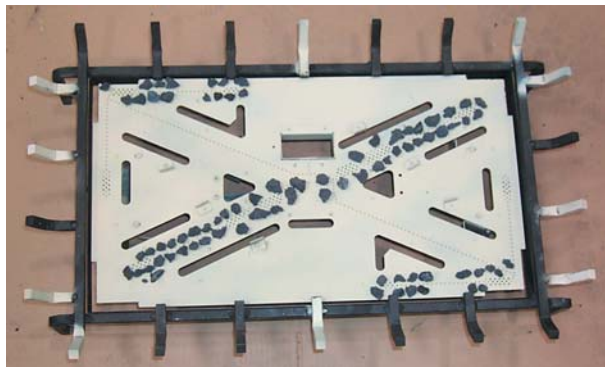
Please note that there are 2 of each log. This log set is mirrored front and back.



The 3-digit numbers (ie. 327) are molded into the rear of each log.

- 1) Carefully remove the logs from the box and unwrap them. The logs are fragile, handle with care - **do not force into position**.
- 2) Place embers on the burner as shown below.

Separate platinum embers and place on the burner over top of and around embers. Platinum embers can cover burner ports. Avoid stacking platinum embers.



**IMPORTANT**  
When placing Embers, do not block burner ports as this can cause an incorrect flame pattern, carbon deposits and delayed ignition.

- 3) Place Log 326 on the front right side of the burner. Ensure that the notches on the far right side of the log fit into the grate posts. Push back side of the left end of the log up against the tab on the burner.

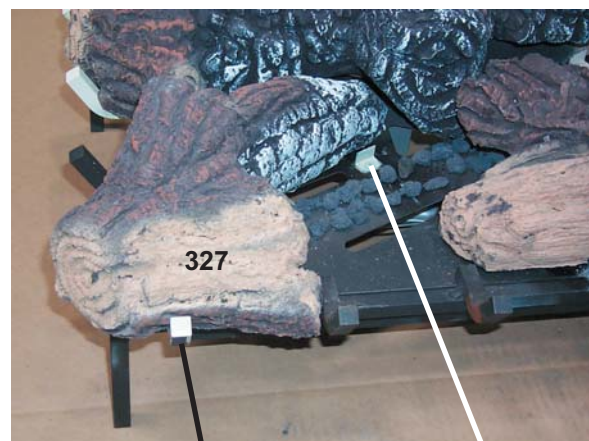


Push back side of the left end of the log up against the tab on the burner.

Repeat step 3 on the opposite side of the burner.



- 4) Place Log 327 on the front left side of the burner. Position the right end of the log in between the two tabs and the left end of the log into the grate post.



Grate Post

Tab on Burner

# INSTALLATION

Repeat step 4 on the opposite side of the burner.



- 5) Place Log 329 on the middle left side of the burner. Rest the bottom of the Log onto the second grate post from the left. Ensure that the log fits into a pin that is on Log 326.



Grate Post

Pin

Repeat step 5 on the opposite side of the burner.



- 6) Place Log 328 on the middle right side of the burner. Ensure that the log fits over the 2nd grate post from the right.

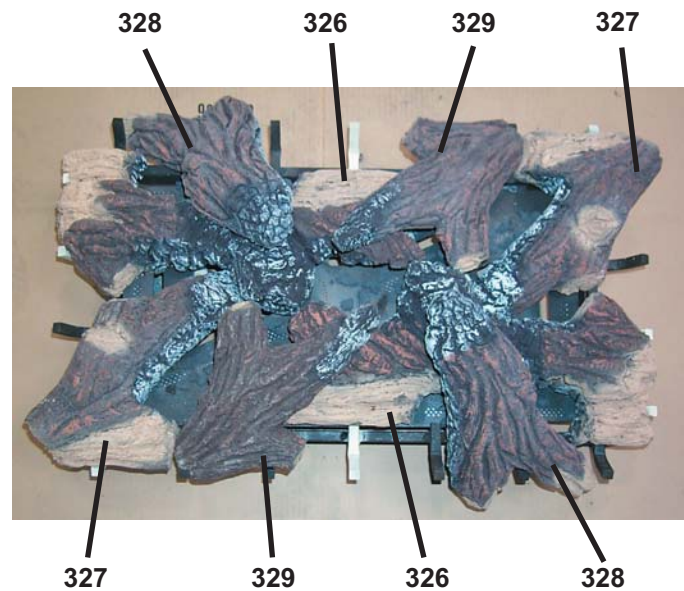


Grate Post

Repeat step 6 on the opposite side of the burner.

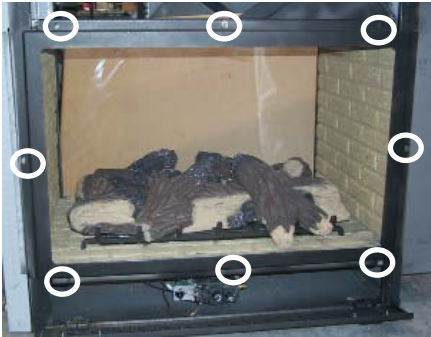


Completed Log Set Installation:



## GLASS DOOR REMOVAL

- 1) Remove the 8 screws that secure the glass door.



- 2) Pull the door slightly out on an angle and then lift up and pull completely out.



- 3) PG131-1 & PG121LC-1/PG121RC-1 Corner Model: Remove the 6 screws that secure the glass door and repeat step 2.

## FINISHING TRIM

- 1) Slide the Side Finishing Trim up into the slot in the top flange of the fireplace. Push tight against the magnet at the base of the unit.



*Slide Trim into slot.*



*Push trim tight against magnet.*

- 2) Slide the Corner Finishing Trim up into the slot in the top flange of the fireplace. Push tight against the magnet at the base of the unit.



*Slide Trim into slot.*

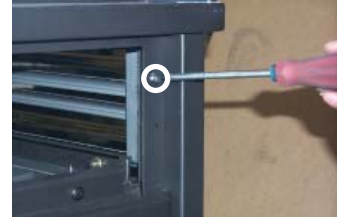


*Push trim tight against magnet.*

## LOUVERS & GRILLS

- 1) Attach the screws provided to the top left and right corners.

**NOTE: Do not tighten the screw entirely, ensure that some room is left to be able to hang the grill or louver over the screw.**



- 2) Hang the Top Louver or Grill onto the 2 screws in the top fireplace opening.



- 3) Attach the Bottom Louver or Grill to the hinges on the bottom flange of the fireplace. **PG121-1 & PG131-1 Corner Models**



- 4) Attach the screws provided to the top and bottom, left and right corners similar to step 1.

- 5) Hang the top and bottom louver or grill onto the screws in the top and bottom, left and right sides of the fireplace opening.



*The Top and Bottom Side Louver or Grill is installed the same way.*

# INSTALLATION

## REMOTE CONTROL

Use the Regency Remote Control Kit approved for this unit. Use of other systems may void your warranty.

The remote control kit comes with a hand held transmitter and a wall mounting plate.

1) Choose a convenient location to mount the hand held transmitter, protection from extreme heat is very important.

The remote can also be used as a wall thermostat.

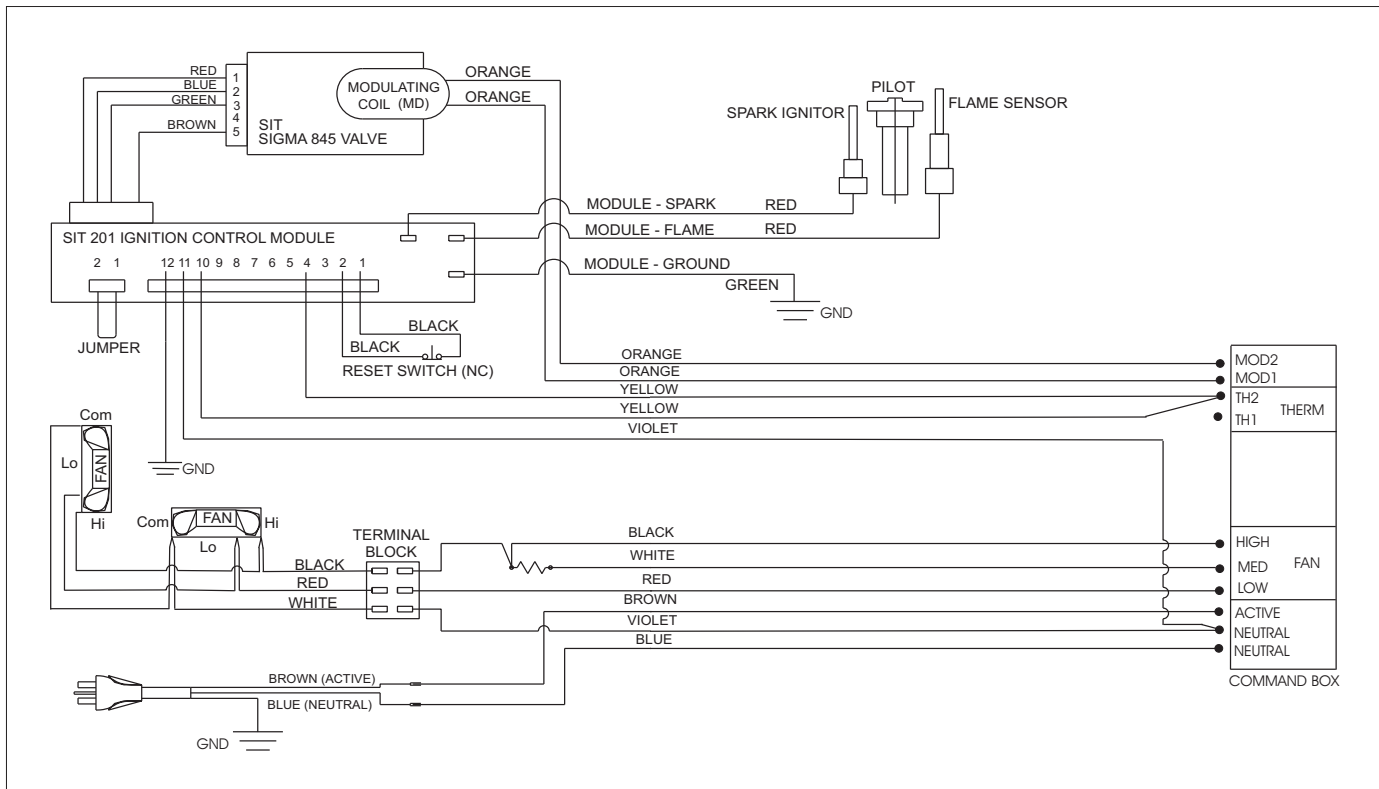


## WIRING DIAGRAM

This heater requires a 240V A.C. supply for the gas control to operate. A 240V A.C. power supply is needed for the fan/blower operation.

**Caution:** Ensure that the wires do not touch any hot surfaces and are away from sharp edges.

**CAUTION:** Label all wires prior to disconnection when servicing controls. Wiring errors can cause improper and dangerous operation.



# OPERATING INSTRUCTIONS

## OPERATING INSTRUCTIONS

Before operating this appliance, proceed through the following check list.

- 1) Read and understand these Instructions before operating this appliance.
- 2) Check to see that all wiring is correct and enclosed to prevent possible shock.
- 3) Check to ensure there are no gas leaks.
- 4) Make sure the three pieces of door glass are properly positioned. Never operate the appliance with any of the glass removed or with the door open.
- 5) Verify that all flueing and the cap is unobstructed.
- 6) Verify log placement.

## LIGHTING INSTRUCTIONS

- 1) Plug the power cord into a power outlet.
- 2) Press and release the ON/OFF button once to start the unit.
- 3) After approximately 3 seconds the spark ignition system will spark for 40 seconds to light the main burner.
- 4) If the main burner does not light, reset the unit.

## RESETTING THE UNIT

- 1) Open the bottom louver of the unit.
- 2) Press and release the reset button, located on the unit's control panel once.
- 3) Wait for approximately 3 seconds and the pilot sparks can be heard and seen. It would take 2 to 3 seconds for the flame to be lit.

**NOTE:** A period of 30 seconds must pass before another reset is attempted.

## SHUTDOWN INSTRUCTIONS

- 1) Press the ON/OFF button once.
- 2) Turn off all electric power to the appliance if service is to be performed.

## FAN OPERATION

Set the fan speed on the control panel located in behind the bottom louver.

Pressing and releasing the plus (+) FAN button will change the fan speed as follows:

OFF -> LOW -> MEDIUM -> HIGH -> OFF, etc.

Pressing and releasing the minus (-) FAN button will be the reverse of the above.



## ADJUSTING FLAME HEIGHT

There are six flame settings that can be adjusted by pressing and releasing the plus (+) and minus (-) FLAME button.

The FLAME setting button is located on the control panel in behind the pedestal door.

# OPERATING INSTRUCTIONS

---

## FIRST FIRE

**DO NOT BURN THE APPLIANCE WITHOUT THE GLASS FRONT IN PLACE.**

The first fire in your stove is part of the paint curing process. To ensure that the paint is properly cured, it is recommended that you burn your fireplace for at least four (4) hours the first time before you use it with the fan on.

When first operated, the unit will release an odour caused by the curing of the paint, the burning off of any oils remaining from manufacturing. Smoke detectors in the house may go off at this time. Open a few windows to ventilate the room for a couple of hours.

**Note: When the glass is cold and the appliance is lit, it may cause condensation and fog the glass. This condensation is normal and will disappear in a few minutes as the glass heats up.**

**During the first few fires, a white film may develop on the glass front as part of the curing process. The glass should be cleaned after the unit has cooled down or the film will bake on and become very difficult to remove. Use a non-abrasive cleaner and DO NOT ATTEMPT TO CLEAN THE GLASS WHILE IT IS HOT.**

## NORMAL OPERATING SOUNDS OF GAS APPLIANCES

It is possible that you will hear some sounds from your gas appliance. This is perfectly normal due to the fact that there are various gauges and types of steel used within your appliance. Listed below are some examples. All are **normal operating sounds** and should not be considered as defects in your appliance.

### Blower:

Regency gas appliances use high tech blowers to push heated air farther into the room. It is not unusual for the fan to make a "whirring" sound when ON. This sound will increase or decrease in volume depending on the speed setting of your fan speed control.

### Burner Tray:

The burner tray is positioned directly under the burner tube(s) and logs and is made of a different gauge material from the rest of the firebox and body. Therefore, the varying thicknesses of steel will expand and contract at slightly different rates which can cause "ticking" and "cracking" sounds. You should also be aware that as there are temperature changes within the unit these sounds will likely re-occur. Again, this is normal for steel fireboxes.

### Gas Control Valve:

As the gas control valve turns ON and OFF, a dull clicking sound may be audible, this is normal operation of a gas regulator or valve.

### Unit Body/Firebox:

Different types and thicknesses of steel will expand and contract at different rates resulting in some "cracking" and "ticking" sounds will be heard throughout the cycling process.

## AERATION ADJUSTMENT

The burner aeration is factory set. Adjustment may be needed due to the local gas supply or altitude. As a general rule if the flame is too yellow open up the air shutter, if it is too blue close the air shutter.

**NG        10mm open**  
**LPG      10mm open**

### NOTE:

**This adjustment is only to be made by an authorised person.**

**Carbon deposits are a possibility on appliances incorporating live fuel effect flames.**

## COPY OF THE LIGHTING PLATE INSTRUCTIONS

### FOR YOUR SAFETY READ BEFORE LIGHTING

This appliance must be installed in accordance with local codes, if any; if not, follow the current CAN1-B149/ANSI Z 223.1 (Australia: AS5601-2004, New Zealand: NZS 5261)

**WARNING: If you do not follow these instructions exactly, a fire or explosion may result causing property damage, personal injury or loss of life. Improper installation, adjustment, alteration, service or maintenance can cause injury or property damage. Refer to the owner's information manual provided with this appliance. For assistance or additional information consult a qualified installer, service agency or gas supplier.**

A) BEFORE LIGHTING smell all around the appliance area for gas. Be sure to smell next to the floor because some gas is heavier than air and will settle on the floor.

#### WHAT TO DO IF YOU SMELL GAS

- Do not try to light any appliance
- Do not touch any electric switch, do not use any phone in your building
- Immediately call your gas supplier from a neighbors phone. Follow the gas supplier's instructions.
- If you cannot reach your gas supplier, call the fire department.

B) Do not use this appliance if any part has been under water. Immediately call a qualified service technician to inspect the appliance and to replace any part of the control system and any gas control which has been under water.

This appliance needs fresh air for safe operation and must be installed so there are provisions for adequate combustion and ventilation air.

**CAUTION: Hot while in operation. Do not touch. Severe Burns may result. Due to high surface temperatures keep children, clothing and furniture, gasoline and other liquids having flammable vapors away. Keep burner and control compartment clean. See installation and operating instructions accompanying appliance.**

### LIGHTING INSTRUCTIONS

STOP! Read the safety information above on this label.

- 1) Plug the power cord into a power outlet.
- 2) Press and release the ON/OFF button once to start the unit.
- 3) After approximately 3 seconds the spark ignition system will spark for 25 seconds to light the main burner.
- 4) If the main burner does not light, check the gas and reset the unit.

### TO TURN OFF GAS APPLIANCE

- 1) Press the ON/OFF button once.
- 2) Turn off all electric power to the unit if service is to be performed.

**DO NOT REMOVE THIS INSTRUCTION PLATE**

918-332a

## MAINTENANCE INSTRUCTIONS

Any maintenance required accessing the glass door of the unit must be performed by an authorized service person.

- 1) Always unplug the power cord before cleaning. For relighting, refer to lighting instructions. Keep the burner and control compartment clean by brushing and vacuuming at least once a year. When cleaning the logs, use a soft clean brush as the logs are fragile and easily damaged.
- 2) Clean glass (never when unit is hot), appliance, louvres, and door with a damp cloth. Never use an abrasive cleaner. The gold louvres (and optional gold door) may be scratched if abrasives are used to clean them.

The heater is finished in a heat resistant paint and should only be refinished with heat resistant paint (not with wall paint). Regency uses StoveBright Paint - Metallic Black #6309.

- 3) Make a periodic check of burner for proper position and condition. Visually check the flame of the burner periodically, making sure the flames are steady; not lifting or floating. If there is a problem, call an authorized service person.
- 4) The appliance and flueing system must be inspected before use, and at least annually, by an authorized field service person, to ensure that the flow of combustion and ventilation air is not obstructed.

During the annual service call, the burners should be removed from the burner tray and cleaned. Replace the embers - do not block the pilot or burner ports.

- 5) Keep the area near the appliance clear and free from combustible materials, gasoline and other flammable vapours and liquids.

### General Flue Maintenance

Conduct an inspection of the flueing system semi-annually. Recommended areas to inspect as follows:

- 1) Check the Flueing System for corrosion in areas that are exposed to the elements. These will appear as rust spots or streaks, and in extreme cases, holes. These components should be replaced immediately.
- 2) Remove the Cap, and shine a flashlight down the Flue. Remove any bird nests, or other foreign material.

# MAINTENANCE

- 3) Check for evidences of excessive condensation, such as water droplets forming in the inner liner, and subsequently dripping out the joints. Continuous condensation can cause corrosion of caps, pipe, and fittings. It may be caused by having excessive lateral runs, too many elbows, and exterior portions of the system being exposed to cold weather.
- 4) Inspect joints, to verify that no pipe sections or fittings have been disturbed, and consequently loosened. Also check mechanical supports such as Wall Straps, or plumbers' tape for rigidity.

## LOG REPLACEMENT

The unit should never be used with broken logs. Turn off the gas valve and allow the unit to cool before opening door and carefully remove the logs. (The pilot light generates enough heat to burn someone.) If for any reason a log should need replacement, you must use the proper replacement log. The position of these logs must be as shown in the diagrams under Log Installation.

**Note:** Improper positioning of logs may create carbon build-up and will severely alter the unit's performance which is not covered under warranty.

## GLASS GASKET

If the glass gasket requires replacement use a tadpole glass gasket (Part # 936-155).

## DOOR GLASS

Your Regency fireplace is supplied with high temperature 5mm-Tempered glass & 5mm-Ceramic glass. If your glass requires cleaning, we recommend using an approved glass cleaner available at all authorized dealers. Do not use abrasive materials.

### CAUTION & WARNINGS:

- \* Do not clean when the glass is hot.
- \* The use of substitute glass will void all product warranties.
- \* Care must be taken to avoid breakage of the glass.
- \* Do not strike or abuse the glass.
- \* Do not operate this fireplace without the glass front or with a cracked or broken glass front.
- \* Wear gloves when removing damaged or broken glass.
- \* Replacement of the glass panels should be done by a licensed or authorized service person.

### GLASS REPLACEMENT

In the event that you break your glass by impact, purchase your replacement from an authorized Regency dealer only. Replacement glass is shipped already installed into the door frame.

### REPLACEMENT PARTS:

- Front Door - Tempered (Part# 360-528/P)
- Side Door - Tempered (Part# 360-529/P)
- Front Door - Ceramic (Part# 360-946)
- Side Door - Ceramic (Part# 360-948)

## GOLD-PLATED ACCESSORIES

The 24 carat gold-plated finish requires little maintenance, and need only be cleaned with a damp cloth. DO NOT use abrasive materials or chemical cleaners, as they may harm the finish and void the warranty. **Clean any fingerprints off before turning the unit on.**

## VALVE TRAY REPLACEMENT

- 1) Shut off the gas supply.
- 2) Remove the louvers and trim kit. Remove the front door.
- 3) Remove the logs, embers.
- 4) Remove the grate by lifting straight up.

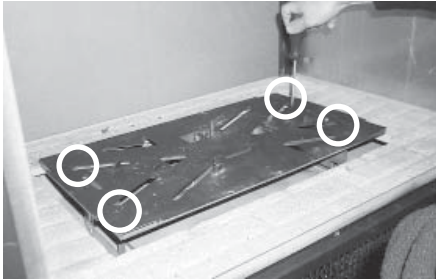


- 5) Remove the side brick clip in the top of the firebox and then slide the Side Brick Panel out. **The brick panels are very fragile - handle with care.**





- 6) Remove the burner by removing the 4 screws.



- 7) Slide the burner assembly away from the orifice and lift out.



- 8) Remove the Side Base Brick Panels and finally the Long Base Brick Panels.

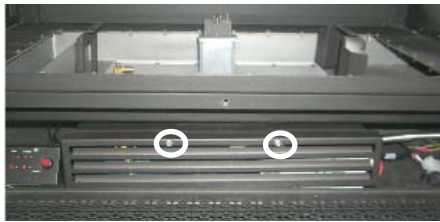


*Remove Left & Right Side Base Brick Panels*

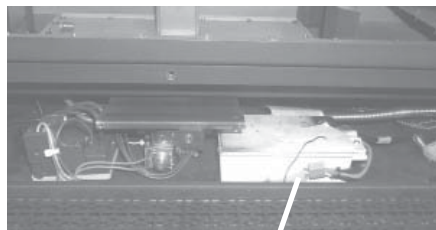


*Remove the 2 Long Base Brick Panels*

- 9) Open the bottom louvre and remove the 2 screws which secure the front cover to the valve tray.



- 10) Unplug the 5 pin Molex Connector and carefully pull out the control box.



*5 Pin Molex Connector*

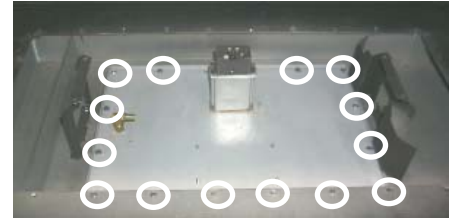
- 11) Disconnect the inlet gas line.  
 12) Unplug the 2 orange wires from the Gas Pressure Electronic Modulator.  
 13) Unplug the 5 pin Molex Connector from the valve.  
 14) Unplug the igniter and the flame cables from the module.



*Igniter and Flame Cables*

*5 Pin Molex Connector from the Valve.*

- 15) Remove the 16 screws that secure the valve tray.



- 16) Lift the entire assembly out.



- 17) To replace the burner tray assembly, reverse these instructions.

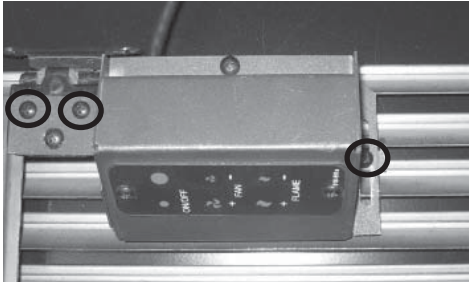
- 18) Check for any gas leaks.

- 19) Check for proper flame appearance and glow on logs.

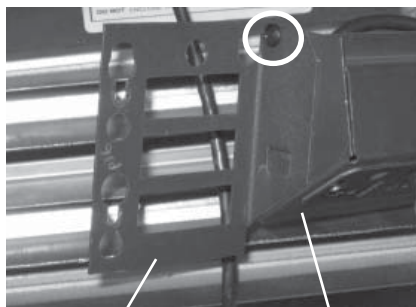
# MAINTENANCE

## MANUAL CONTROL REPLACEMENT

- 1) **Unplug the power source.**
- 2) Open the bottom louver.
- 3) Undo the 3 screws to remove the manual control box from the louver.

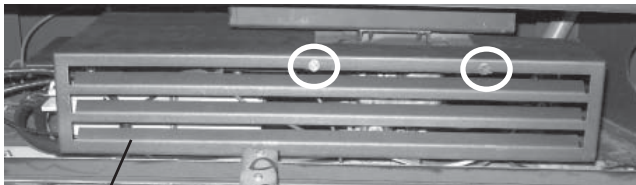


- 4) Remove the louver bracket from the manual control box by undoing one screw.



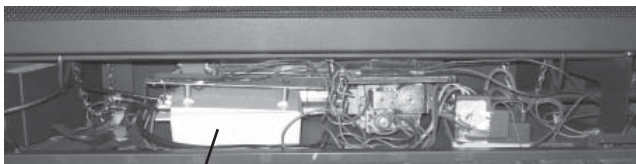
Louver Bracket      Manual Control Box

- 5) Remove the valve heat shield by undoing the 2 screws.



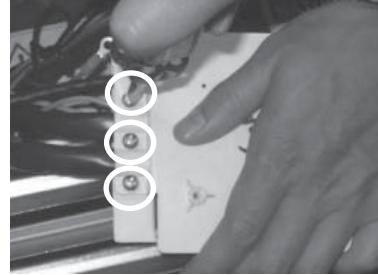
Valve Heat Shield

- 6) Pull out the ECS box by carefully lifting it up off the velcro.

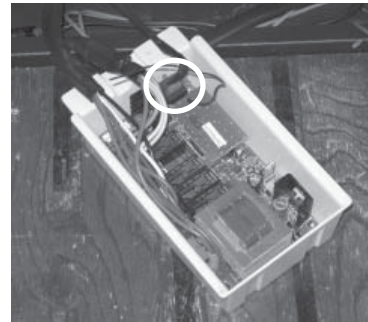


ECS Box

- 7) Remove the ECS box cover by undoing the 3 screws.



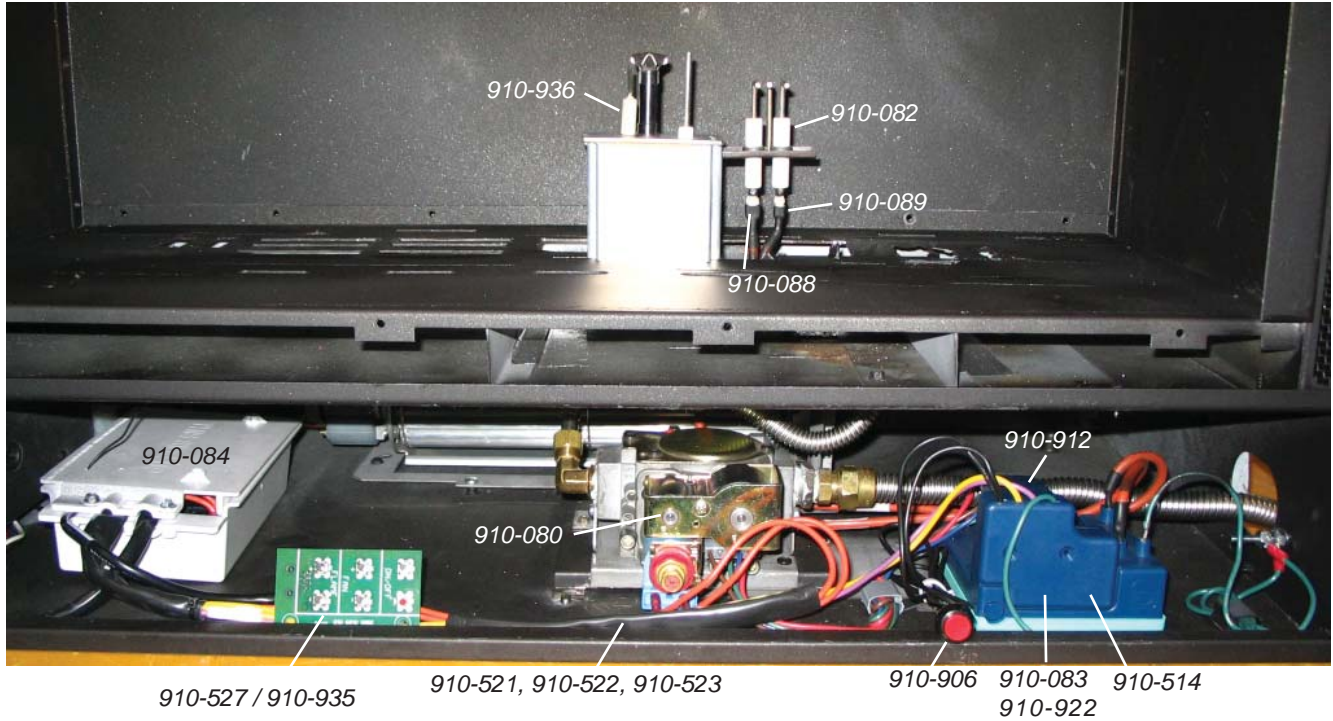
- 8) Unplug in the CAT5 cable of the manual control box from the connector in the ECS box.



- 9) Plug the replacement manual control switch CAT5 cable into the connector in the ECS box.
- 10) Re-install the cover on the ECS box. Ensure to fit the rest of the cable into the groove in the ECS box.
- 11) Put the ECS box back in place under the firebox.
- 12) Reverse steps 5 to 1.

## ELECTRONIC COMPONENTS PARTS LIST

**Note:** Depending on the model, the diagram below may not be exactly as shown - for reference purposes only.

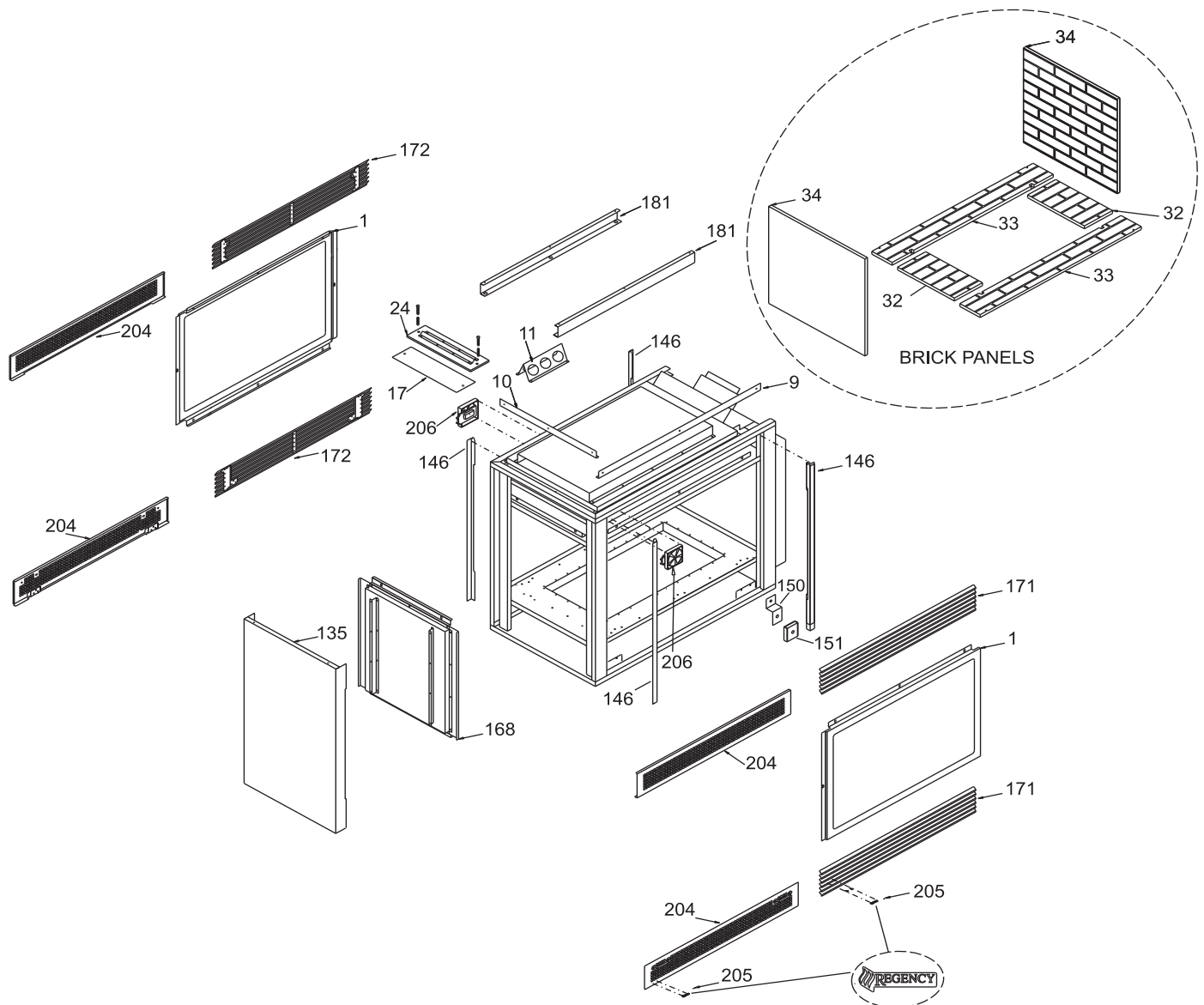


	FG37	FG38	FG39	PG33	PG36 / PG36D	HG35	PG121/ PG131	IG35	IG34
<b>910-909</b> Fan Resistor	✓	✓	✓	✓	✓	✓	✓	✓	✓
<b>910-936</b> Intermittent Pilot	✓	N/A	✓	✓	✓	✓	✓	N/A	✓
<b>910-082</b> Direct Spark Ignitor	N/A	✓	N/A	N/A	N/A	N/A	N/A	✓	N/A
<b>910-089</b> Flame Cable	N/A	✓	N/A	N/A	N/A	N/A	N/A	✓	N/A
<b>910-088</b> Spark Cable	N/A	✓	N/A	N/A	N/A	N/A	N/A	✓	N/A
<b>910-084</b> Control Box	✓	✓	✓	✓	✓	✓	✓	✓	✓
<b>910-527</b> Manual Control Switch	✓	✓	✓	N/A	N/A	✓	N/A	N/A	✓
<b>910-080</b> Valve	✓	✓	✓	✓	✓	✓	✓	✓	✓
<b>910-521</b> Control Box Cable (1)					(1)				
<b>910-522</b> Control Box Cable (2)	(2)	*N/A	(2)	(2)				N/A*	(2)
<b>910-523</b> Control Box Cable (3)							(3)		
<b>910-525</b> Control Box Cable (4)						(4)			
<b>910-912</b> Ignition Module to Valve Cable	N/A	N/A	N/A	✓	✓	✓	✓	✓	✓
<b>910-906</b> Reset Switch	✓	N/A	✓	✓	✓	✓	✓	N/A	✓
<b>910-083</b> Ignition Module (1)		(1)						(1)	
<b>910-922</b> Ignition Module (2)	(2)	(2)	(2)	(2)	(2)	(2)	(2)		(2)
<b>910-514</b> Jumper Wire	✓	N/A	✓	✓	✓	✓	✓		
<b>910-527</b> Manual Control Switch	✓	✓	✓	N/A	N/A	✓	N/A	N/A	✓
<b>910-935</b> Manual Control Switch	N/A	N/A	N/A	✓	✓	✓	✓	✓	✓
**Note: The Control Box Cable wires for the FG38 come separately: 910-502, 910-505, 910-506, 910-507, 910-509 The Control Box Cable wires for the IG35 come separately: 910-530, 910-504, 910-528									

# PARTS LIST

## PG121-1 (SEE THRU) MAIN ASSEMBLY

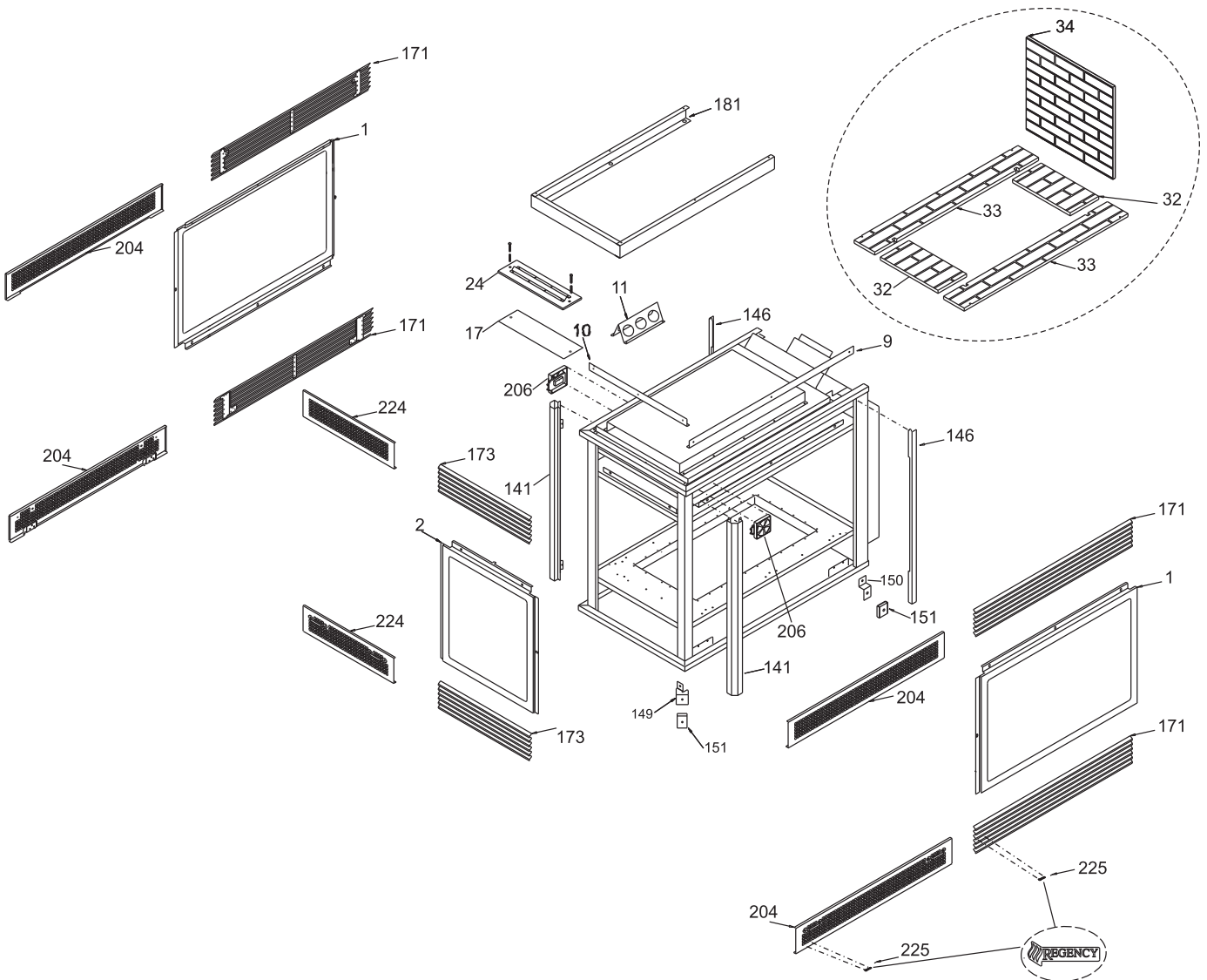
Part #	Description	Part #	Description	Part #	Description
1)	360-528/P Door Assy Front - Tempered 360-946 Door Assy Front - Ceramic (Optional)	135)	360-069 Heat Shield - Side	181)	* Extension Trim - See Thru
9)	360-046 Nailing Strip - Top - Front	146)	360-035 Finishing Trim	204)	360-940 Dec. Grill Front - Black (set)
10)	360-047 Nailing Strip - Top - Side	150)	360-123 Magnet Bracket - Front	205)	948-216 Regency Logo Plate
11)	430-001 Standoff - Top	151)	904-258 Magnet	206)	910-172 Fan Axial 240V
17)	360-086 Gasket - Relief Door	168)	360-068 Door Cover Assembly - Side	918-648	Manual
24)	* Relief Door Assembly	171)	360-920 Louver Front - Black (set)		
32)	362-528 Brick Panel - Base - Front	360-922	Louver Front - Black/Gold (set)		*Not available as a replacement part.
33)	362-528 Brick Panel - Base - Side	360-924	Louver Front - Black/Steel (set)		
34)	902-603 Brick Panel - Side	360-926	Louver Front - Black/Brass (set)		



## PG131-1 (PIER) MAIN ASSEMBLY

Part #	Description	Part #	Description	Part #	Description
1)	360-528/P Door Assy Front - Tempered	146)	360-035 Finishing Trim	181)	* Extension Trim - Pier
	360-946 Door Assy Front - Ceramic (Optional)	149)	360-122 Magnet Bracket - Corner	204)	360-940 Dec. Grill Front - Black (set)
2)	360-529/P Door Assy Side - Tempered	150)	360-123 Magnet Bracket - Front	206)	910-172 Fan Axial 240V
	360-948 Door Assy Side- Ceramic (Optional)	151)	904-258 Magnet	224)	360-942 Dec. Grill Side - Black (set)
9)	360-046 Nailing Strip - Top - Front	171)	360-920 Louver Front - Black (set)	225)	948-216 Regency Logo Plate
10)	360-047 Nailing Strip - Top - Side		360-922 Louver Front - Black/Gold (set)	918-648	Manual
11)	430-001 Standoff - Top		360-924 Louver Front - Black/Steel (set)		
			360-926 Louver Front - Black/Brass (set)		
17)	360-086 Gasket - Relief Door	173)	360-932 Louver Side - Black (set)		
24)	* Relief Door Assembly		360-934 Louver Side - Black/Gold (set)		
			360-936 Louver Side - Black/Steel (set)		
			360-938 Louver Side - Black/Brass (set)		
32)	362-528 Brick Panel - Base - Side				
33)	362-528 Brick Panel - Base - Front				
34)	902-603 Brick Panel - Side				
141)	360-031 Column Finishing Trim				

\*Not available as a replacement part.

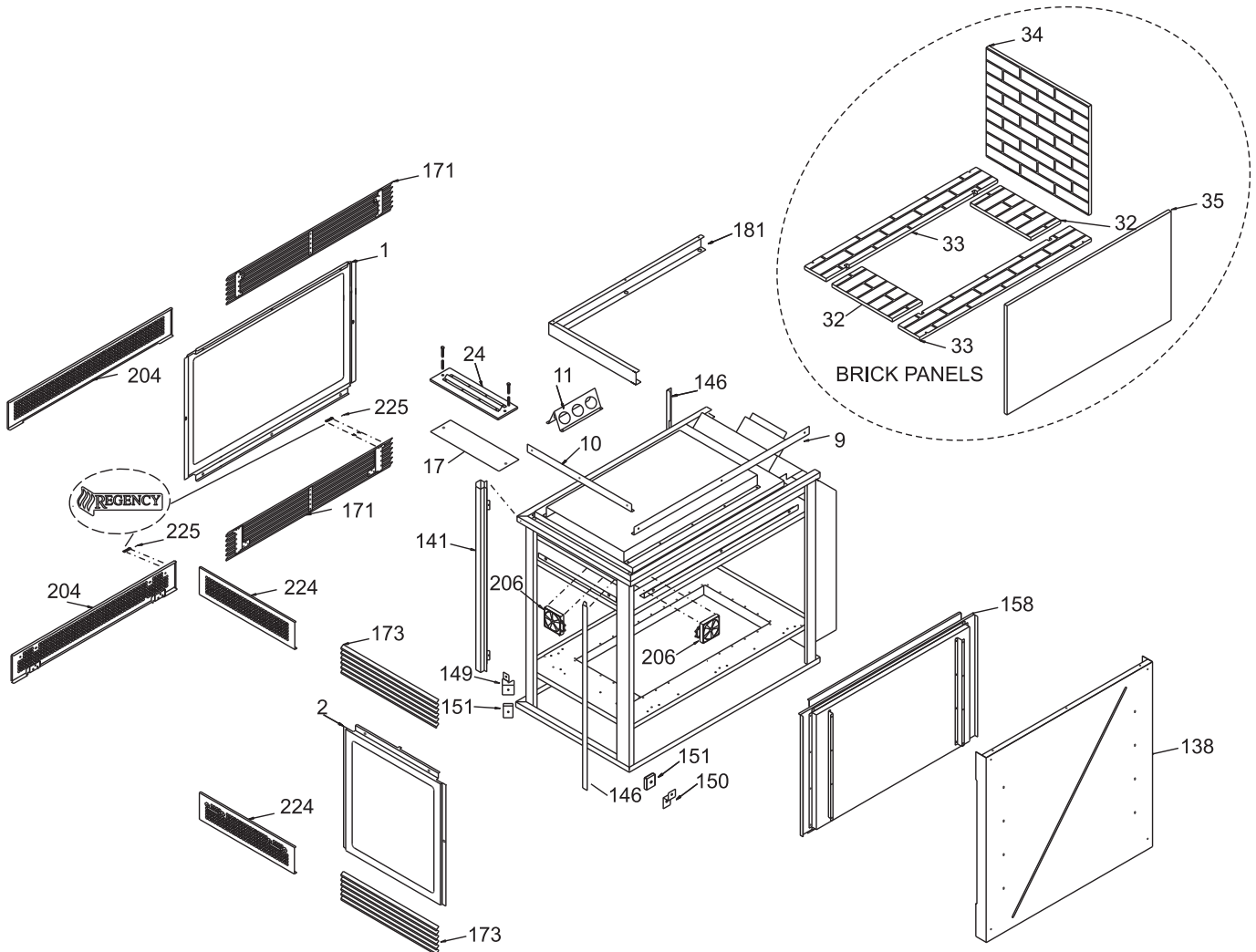


# PARTS LIST

## PG121RC-1 (RIGHT CORNER) MAIN ASSEMBLY

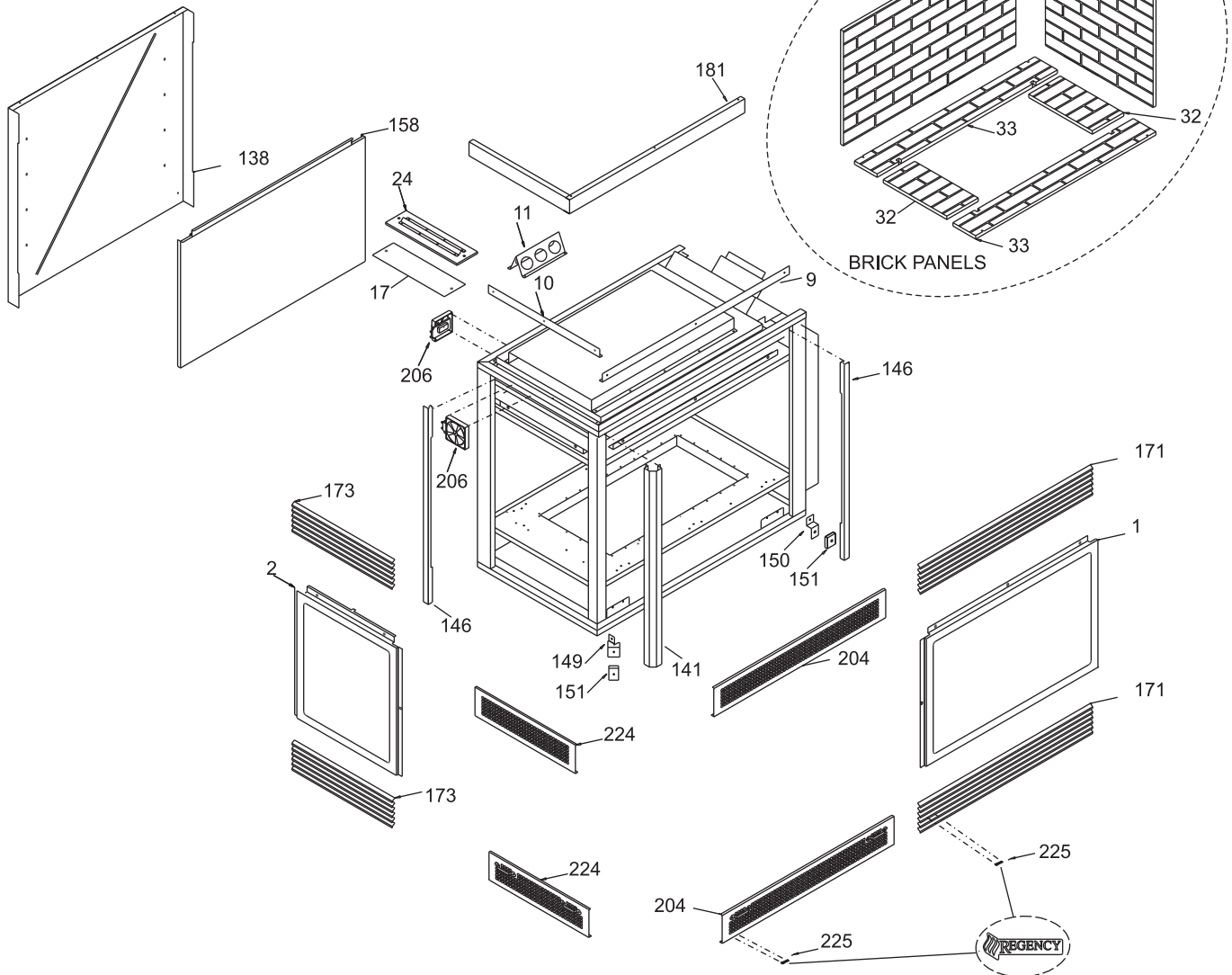
Part #	Description	Part #	Description	Part #	Description	
1)	360-528/P Door Assy Front - Tempered 360-946 Door Assy Front - Ceramic (Optional)	138) 360-063	Heat Shield - Front	181) *	Extension Trim	
2)	360-529/P Door Assy Side - Tempered 360-948 Door Assy Side - Ceramic (Optional)	141) 360-031	Column Finishing Trim	204) 360-940	Dec. Grill Front - Black (set)	
9)	360-046	Nailing Strip - Top - Front	146) 360-035	Finishing Trim - Left Side	206) 910-172	Fan Axial 240V
10)	360-047	Nailing Strip - Top - Side	149) 360-122	Magnet Bracket - Corner	224) 360-942	Dec. Grill Side - Black (set)
11)	430-001	Standoff - Top	150) 360-123	Magnet Bracket - Front	225) 948-216	Regency Logo Plate
17)	360-086	Gasket - Relief Door	151) 904-258	Magnet	918-648	Manual
24)	*	Relief Door Assembly	158) 360-060	Door Cover Assembly-Front		
32)	362-528	Brick Panel - Base - Side	171) 360-920	Louver Front - Black (set)		
33)	362-528	Brick Panel - Base - Front	360-922	Louver Front - Black/Gold (set)		
34)	902-603	Brick Panel - Side	360-924	Louver Front - Black/Steel (set)		
35)	902-604	Brick Panel - Front	360-926	Louver Front - Black/Brass (set)		
			173) 360-932	Louver Side - Black (set)		
			360-934	Louver Side - Black/Gold (set)		
			360-936	Louver Side - Black/Steel (set)		
			360-938	Louver Side - Black/Brass (set)		

\*Not available as a replacement part.



## PG121LC-1 (LEFT CORNER) MAIN ASSEMBLY

Part #	Description	Part #	Description	Part #	Description
1)	360-528/P Door Assy Front - Tempered	138)	360-069 Heat Shield - Front	204)	360-940 Dec. Grill Front - Black (set)
	360-946 Door Assy Front - Ceramic (Optional)	141)	360-031 Column Finishing Trim	206)	910-172 Fan Axial 240V
2)	360-529/P Door Assy Side - Tempered	146)	360-035 Finishing Trim	224)	360-942 Dec. Grill Side - Black (set)
	360-948 Door Assy Side - Ceramic (Optional)	149)	360-122 Magnet Bracket - Corner	225)	948-216 Regency Logo Plate
9)	360-046 Nailing Strip - Top - Front	150)	360-123 Magnet Bracket - Front		918-648 Manual
10)	360-047 Nailing Strip - Top - Side	151)	904-258 Magnet		
11)	430-001 Standoff - Top	158)	360-062 Door Cover Assembly-Front		*Not available as a replacement part.
17)	360-086 Gasket - Relief Door	171)	360-920 Louver Front - Black (set)		
24)	* Relief Door Assembly		360-922 Louver Front - Black/Gold (set)		
			360-924 Louver Front - Black/Steel (set)		
			360-926 Louver Front - Black/Brass (set)		
32)	362-528 Brick Panel - Base - Side	173)	360-932 Louver Side - Black (set)		
33)	362-528 Brick Panel - Base - Front		360-934 Louver Side - Black/Gold (set)		
34)	902-603 Brick Panel - Side		360-936 Louver Side - Black/Steel (set)		
35)	902-604 Brick Panel - Front		360-938 Louver Side - Black/Brass (set)		

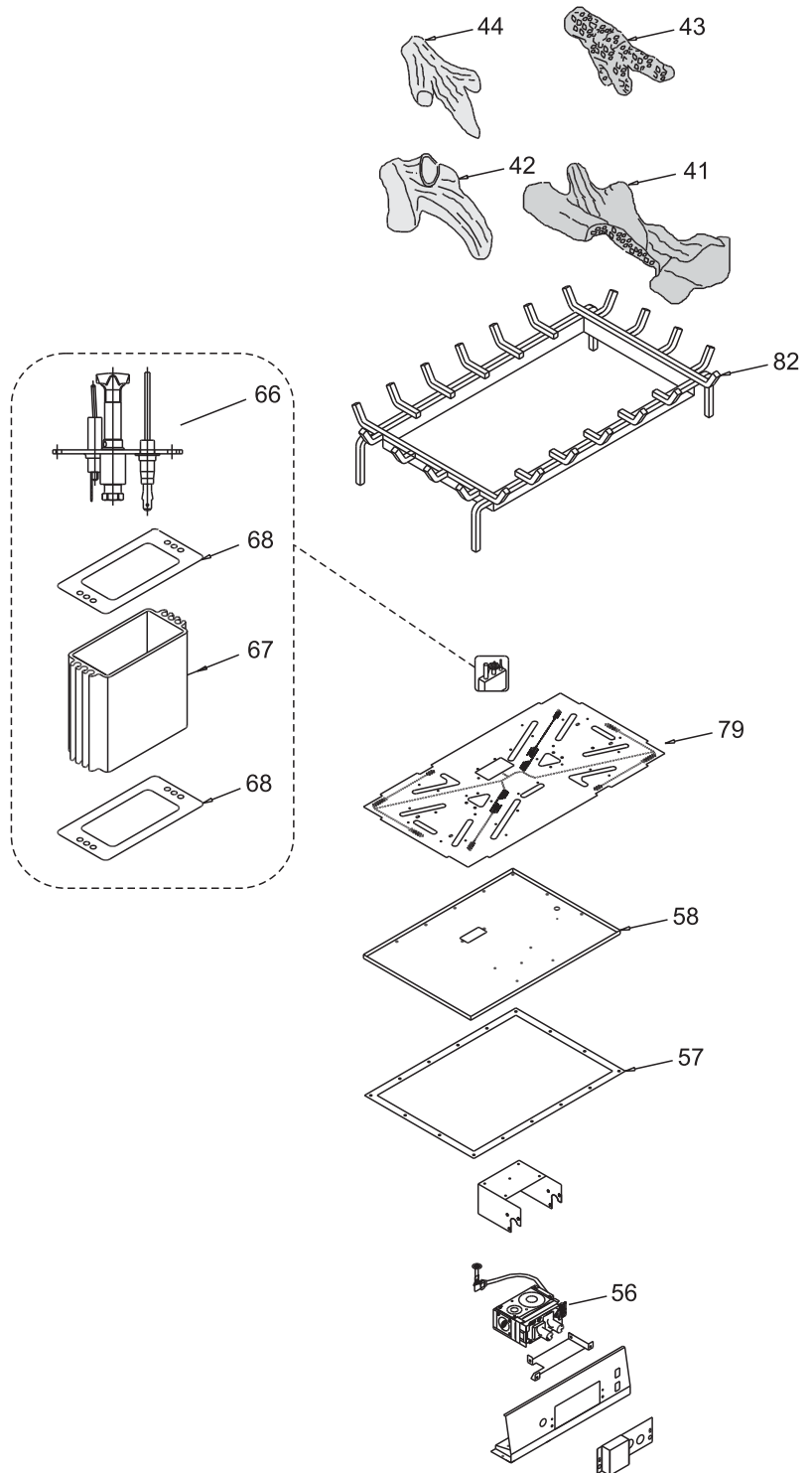


# PARTS LIST

## BURNER ASSEMBLY & LOG SET

Part #	Description
360-930	Log Set
41)	Front Right Log
42)	Front Left Log
43)	Middle Left Log
44)	Middle Right Log
360-578/P	Valve Assembly -NG
360-580/P	Valve Assembly - LP
56) 910-080	Valve SIT - NG
910-081	Valve SIT - LP
57) 360-090	Gasket - Valve Tray
58) *	Valve Tray
66) 910-936	Pilot Assembly - NG
910-937	Pilot Assembly - LPG
67) *	Pilot Holder
68) W840470	Pilot Assembly Gasket
79) 360-525	Burner Assembly
82) 360-027	Grate Assembly
904-690	Orifice #31 - NG
936-170	Orifice Gasket

\*Not available as a replacement part.









# WARRANTY

---

**Regency Fireplace Products are designed with reliability and simplicity in mind. In addition, our internal Quality Assurance Team carefully inspects each unit thoroughly before it leaves our door. Regency Industries Ltd. is pleased to extend this limited lifetime warranty to the original purchaser of a Regency Product.**

**The Warranty:** Lifetime

Covered under the agreement are the following components:

Combustion chamber, heat exchanger, burner tubes, logs, embers, glass (thermal breakage) and all gold plating (against defective manufacture).

The above will be covered for parts and labour for the first five years and parts only thereafter.

Electrical components such as fans, switches, wiring, thermocouples, remote control, thermopiles, thermocouples and gas valves are covered for one year from the date of purchase.

**Conditions:**

All installations must be performed by an authorised gas fitter and installed according to all applicable local and national codes. Also, all service work must be carried out by an authorised gas service person. It is the responsibility of the installer to ensure that the appliance is firing as per rating plate. Any part or parts of this unit which in our judgement show evidence of such defect will be repaired or replaced at Regency's option, through an accredited distributor or agent provided that the defective part be returned to the distributor or agent **Transportation Prepaid**, if requested. In areas where there is not an approved service agent or the closest approved service agent is situated more than thirty(30) kilometres from the installation, Regency is not obliged to arrange warranty repairs and travel and/or additional labour charges will apply.

**Exclusions:**

This limited Lifetime Warranty does not extend to or include paint, door or glass gasketing or trim. It does not cover installation and operational related problems such as over-firing, downdrafts or spillage caused by environmental conditions, nearby trees, buildings, hilltops, mountains, inadequate flueing or ventilation, excessive offsets, negative air pressures caused by insufficient make up air, mechanical systems such as furnaces, fans, clothes dryers etc. The warranty does not extend to any part or parts which show evidence of misuse or abuse, neglect, accident or lack of maintenance.

Products made by other manufacturers and used in conjunction with the operation of this appliance without authorization from Regency, may nullify your warranty on this product.

Regency, shall in no event be liable for any special, indirect consequential damages of any nature whatsoever which are in excess of the original purchase price of the product. Any alteration to the unit which causes sooting or carboning that results in damage to the exterior facia is not the responsibility of Regency.

**General:**

It is essential that all submitted claims provide all of the necessary information including purchase date, serial #, type of unit and part or parts requested.

---

DISTRIBUTORS:	Western Australia	Eastern Australia
	Air Group Australia	Fireplace Products Australia PTY. Ltd.
	28-30 Division St.	1-3 Conquest Way
	Welshpool, WA 6106	Hallam, VIC 3803
	08 9350 2200	03 9799 7277

**NOTE: PLEASE RETAIN YOUR INVOICE AS PROOF OF PURCHASE FOR WARRANTY VERIFICATION**

**INCORRECT INSTALLATION OR GAS PRESSURE SETTINGS ARE NOT COVERED BY WARRANTY**

**A SERVICE OR CALLOUT FEE WILL BE CHARGED IN THESE CIRCUMSTANCES.**

# Register your Regency® warranty online [www.regency-fire.com.au](http://www.regency-fire.com.au)



## Reasons to register your product online today!

- View and modify a list of all your registered products.
- Request automatic email notification of new product updates.
- Stay informed about the current promotions, events, and special offers on related products.
- Help assure you get the most out of your warranty.
- Eliminate confusion and frustration if warranty\*\* service is required in the future.

\*\* Proof of purchase required at time of warranty request.

***Installer: Please complete the following information***

**Dealer Name & Address:** \_\_\_\_\_  
\_\_\_\_\_

**Installer:** \_\_\_\_\_

**Phone #:** \_\_\_\_\_

**Date Installed:** \_\_\_\_\_

**Serial No.:** \_\_\_\_\_